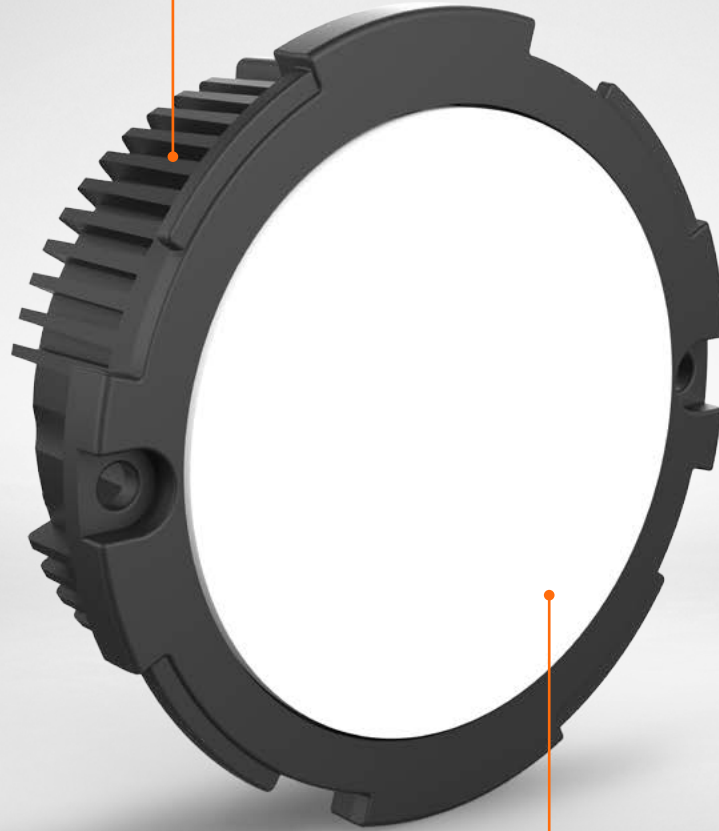
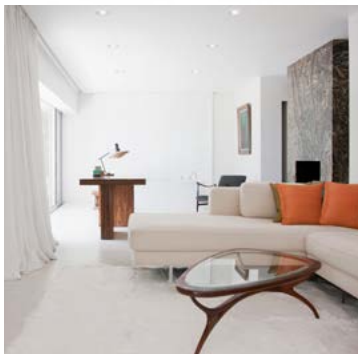


DRD2 LED

Fits more than 25 different
Twist & Lock trims



Compact design for maximum
installation compatibility



Recessed LED Downlight

Thanks to its compact design, the DRD2M LED light module is compatible with over 10 different installation applications. Whether new construction, remodel or retrofit, the DRD2 installs almost anywhere and fits more than 25 Twist & Lock trims for a variety of different color, size, shape and style options. With an output of 750 or 1000 lumens and wet location listing, the DRD2 is well suited for a wide range of applications including residential, multi-family, retail and hospitality.

Learn more at www.drd2led.com

Product Options

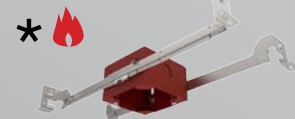


DRD2M7
750 lumens



DRD2M10
1000 lumens

Junction Box Frame-in Kit



DRDHNJ
Junction Box



DRD2TRJS
Junction Box Trim

Surface Mount Frame-in Kit



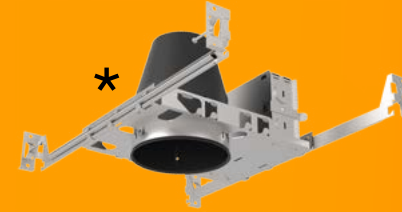
DRDHS
Surface Mount



DRD2TRJS
Surface Mount Trim

General Recessed Options

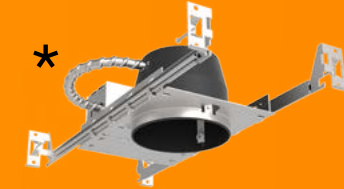
4" IC Frame-in Kit



DRDHNIC4
New Construction



DRDHRIC4
Remodel



DRDHNIC4S
Shallow New Construction



DRDHRIC4S
Shallow Remodel



DRD2TR4S
Smooth



DRD2TR4B
Baffle



DRD2TR4W
Wall Wash



DRD2TR4WET
Wet Location



DRD2TS4S (NC only)
Square

5" IC Frame-in Kit



DRDHNIC5
New Construction



DRDHRIC5
Remodel



DRD2TR5S
Smooth



DRD2TR5B
Baffle



DRD2TR5W
Wall Wash



DRD2TR5WET
Wet Location

6" IC Frame-in Kit



DRDHNIC6
New Construction



DRDHRIC6
Remodel



DRDHNIC6S
Shallow New Construction



DRDHRIC6S
Shallow Remodel



DRD2TR6S
Smooth



DRD2TR6B
Baffle



DRD2TR6W
Wall Wash



DRD2TR6WET
Wet Location



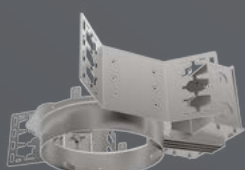
DRD2TD6S
Deep Smooth



DRD2TD6B
Deep Baffle

Recessed Commercial Options

4" Frame-in Kit

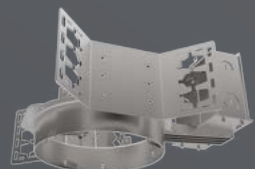


DCDHN4
New Construction

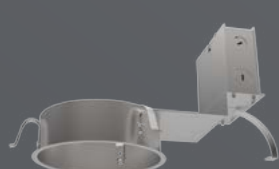


DCD2TR4
4" Commercial Trim

6" Frame-in Kit



DCDHN6
New Construction

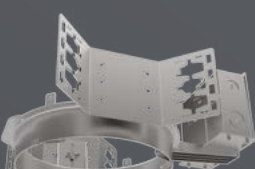


DCDHR6
Remodel



DCD2TR6
6" Commercial Trim

8" Frame-in Kit



DCDHN8
New Construction



DCDHR8
Remodel

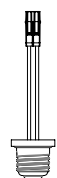


DCD2TR8
8" Commercial Trim

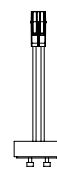
- WH White
- BK Black
- SW Silver Reflector, White Flange
- AZ Low Iridescent Reflector, White Flange and Baffle
- CC Custom Colors Available

- Fire Rated
- Wet Location
- Non-IC with DRD2M10

DRD2X-QCM-ED
Edison Adapter



DRD2X-QCM-GU
GU-24 Adapter

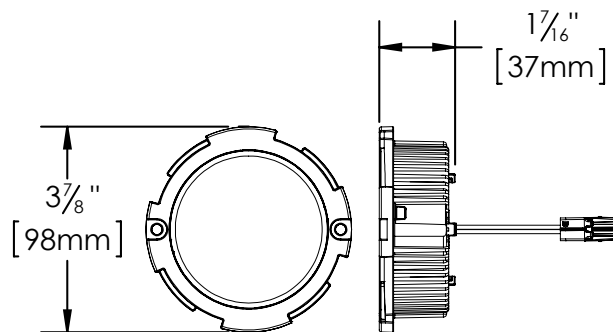


DRD2X-QCM-M
Male IDEAL
PowerPlug® Adapter



Specs at a Glance:

Product Code	DRD2
Product Description	Recessed LED Downlight
Application	New Construction, Remodel, Retrofit
Housing	4", 5", 6", 8", Junction Box, Surface Mount
Lumen Output (Power)	750 lm (11.8W), 1000 lm (14.7W)
CRI	93+
CCT	2700K, 3000K, 3500K, 4000K
Lifetime (L70)	50,000 hrs
Input Voltage	120/277V
Dimming	TRIAC/ELV dimming down to 10% standard for 120V only, optional 0-10V or EcoSystem® dimming available for 120/277V
Emergency Lighting	Optional Emergency Battery Backup Units available for 120/277V
Trim Shape	Round, Square, Deep
Trim Style	Smooth, Baffle, Wall Wash, Wet Location
Trim Finish	White, Black, Silver Reflector w/ White Flange, Low Iridescent Reflector w/ White Flange and Baffle, Custom
Listings	IC rated, cULus listed, ENERGY STAR® qualified, Title 24 compliant, ASTM E283 certified Air Tight, CEC listed, UL Wet Location listed, UL 514A certified up to 2 hour fire rating with applicable housing
Warranty	5 years



Multiple installation compatibility



Twist & Lock for easy installation



Flicker-free TRIAC/ELV dimming



50000 hour lifetime (L70)



5 year limited warranty



MDRD2BROOVER V-07.09.15