



Catalog #		Type
Project		Date
Comments		

### PRODUCT SPECIFICATION DATA

#### DESCRIPTION

6" Line voltage new construction single wall IC airtight housing rated for 100W. Can be in direct contact with insulation. Ideal for general, accent, and task lighting.

#### FEATURES

- Feed through wiring and direct contact with insulation
- Thermally protected against misuse of insulation materials and improper lamping
- Sealed housing to prevent airflow from air conditioned or heated areas into ceiling
- Housing adjusts to accommodate various ceiling thickness
- Adjustable socket mounting plate for proper positioning of different lamp types
- Can be dimmed using standard incandescent dimmer
- UL / cUL listed for damp location

#### HOUSING

Light can be dimmed by using a standard incandescent dimmer.

#### BAR HANGERS

The housing is equipped with pre-installed adjustable barhangers to locate the housing between joist with 16" to 24" space. The special design of the barhangers allows easy ceiling installation of the housing.

#### PLASTER FRAME

22 gauge die-formed galvanized mounting frame with regressed locking screw for securing barhangers.

#### JUNCTION BOX

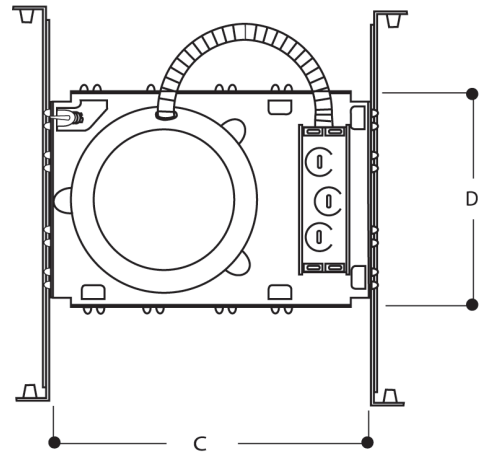
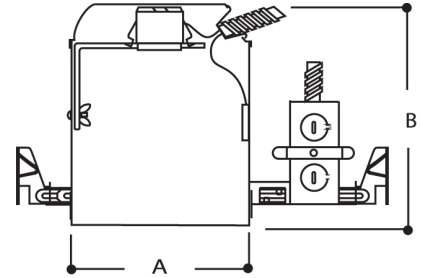
Pre-wired junction box with 7 1/2" knockouts with pryout slots and (4) romex knockouts with built-in strain relief to hold wire in place without any connectors. Junction box is equipped with grounding wire. Listed for through branch circuit.

#### LAMP & SOCKET

Medium base porcelain with nickel plated copper screw shell socket. Maximum of 100W.

#### LISTINGS

ETL/cETL Listed for feed through and damp location.



#### DIMENSIONS

#### CEILING CUT-OUT 4 3/8"

A:	6 1/4" (159mm)	C:	10 3/4" (264mm)
B:	7 5/8" (152mm)	D:	7" (178mm)

EXAMPLE:

Housing	Type	Trims	Trim Finish	Lens
DHS100	ICAT	D600	C	

### ORDERING INFORMATION

Housing	Type	Trims	Trim Finish
DHS100: 6" Residential Single Wall Incandescent Housing	ICAT: IC Airtight Housing	D60 D623 D64 D624 D600 D625 D604 D656 D608 D630 D620 D640 D621 D651 D622 D670	C : Clear G : Gold B : Black W : White NS: Natural Steel

