



Catalog #		Type
Project		Date
Comments		

### PRODUCT SPECIFICATION DATA

DEL44 is a white or black powder coated recessed emergency lighting unit flush with ceiling for a concealed, unobtrusive look. Ideal for applications that require unit equipment to be flushed into ceilings. Lamp head plate is secured by torsion spring clips for fixing screws, allows for ease of installation and maintenance.

#### ELECTRICAL

- Dual voltage input 120/277V AC, 60Hz
- Low Voltage Disconnect (LVD)
- Overload/short circuit protection
- Test switch/power connector facilitates installation
- Combined charge rate/AC-ON indicator
- High capacity units provide for additional remote lighting loads

#### BATTERY

- 6V sealed, premium grade, pure lead acid maintenance free battery
- Polarized battery terminals
- Full recharge time within 24 hours
- Automatic battery protection
- Operates for 90 minutes in case of power failure

#### LAMP

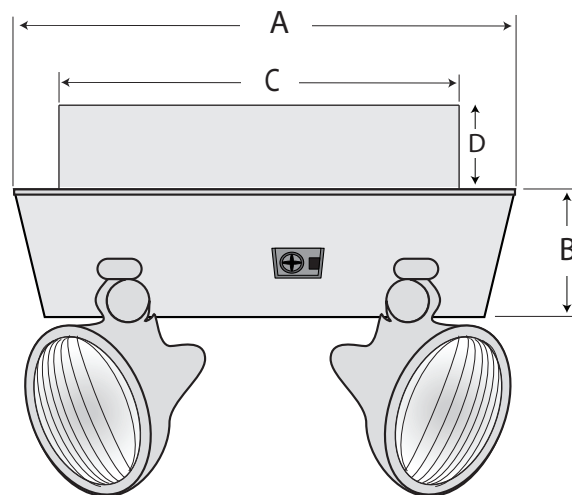
- Two 5.4W DCT5 wedge-base lamps for emergency lighting
- Glare free lens

#### LISTINGS

ETL Listed for wet location  
UL Listed

#### OPERATION

Whenever normal AC power fails, the internal solid state transfer switch automatically connects internal battery to the lamps inside the emergency lighting unit to keep it continuously lit for a minimum of 90 minutes. When AC power is restored, the battery is recharged by the onboard solid state recharger and is accomplished within 24 hours.



#### DIMENSIONS

<b>A:</b>	13" (330 mm)	<b>B:</b>	9" (229 mm)
<b>C:</b>	10 1/2" (267 mm)	<b>D:</b>	3 3/4" (95 mm)

EXAMPLE: DEL44 B

#### ORDERING INFORMATION

Product Code

DEL44

Color

**Blank:** White  
**B:** Black

