



Catalog #		Type
Project		Date
Comments		

### PRODUCT SPECIFICATION DATA

DEL10-LED is a compact and economical emergency unit. This unit offers reliable performance in a low profile and contemporary design. Ideal for commercial and institutional facilities where compact and efficient self-contained unit is required to provide emergency lighting. Easily installed in new or retrofit applications. Injection molded, 5VA flame retardant, high impact thermoplastic construction with snap-fit design components for easy installation.

#### ELECTRICAL

- Dual voltage input 120/277V AC, 60Hz standard
- Combined charge rate/AC-ON indicator
- Self-diagnostic/self-test feature offers ultimate worry free maintenance and complies with mandated code testing

#### BATTERY

- 3.6V maintenance-free, rechargeable NiCd battery
- Operates for 90 minutes in case of power failure
- Full recharge time within 24 hours

#### LAMP

- Long-lasting, bright white LED lamp heads
- 12 LEDs per head
- Dual fixed LED lamp heads for optimal center spacing

#### OPERATION

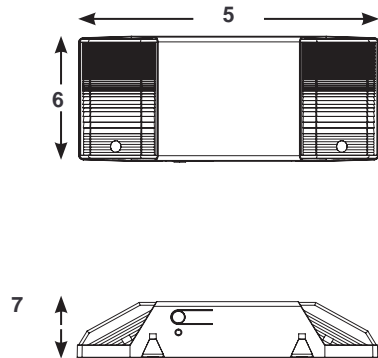
Whenever normal AC power fails, the internal solid state transfer switch automatically connects internal battery to the lamps inside the emergency lighting unit to keep it continuously lit for a minimum of 90 minutes. When AC power is restored, the battery is recharged by the on-board solid state recharger and is fully charged within 24 hours.

#### LISTINGS

- UL924, UL Listed for damp locations (0°C - 50°C), NFPS 101 Life Safety Code, NEC, OSHA, Local and State Codes

#### WARRANTY

- 5 year warranty on all electronics and housing (battery pro rated for five years)



#### DIMENSIONS

<b>A:</b>	11 <sup>13</sup> / <sub>16</sub> " (303 mm)	<b>B:</b>	5 <sup>1</sup> / <sub>8</sub> " (130 mm)
<b>C:</b>	2 <sup>3</sup> / <sub>8</sub> " (60 mm)		

EXAMPLE: DEL10-LED

### ORDERING INFORMATION

