

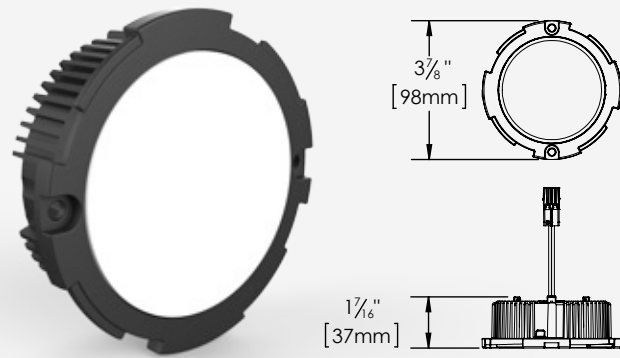
# Recessed LED Downlight Reference Guide

Presenting LED solutions for  
any project, anywhere.

[www.dmflighting.com](http://www.dmflighting.com)



# DRD2 LED Module



Key	
<b>WH</b> White	UL Listed for Wet Location
<b>BK</b> Black	IC Rated
<b>SW</b> Silver Reflector, White Flange	Air Tight Rated
<b>AZ</b> Low Iridescent Reflector, White Flange	STC/IC Sound Rated
<b>CC</b> Custom Colors Available	

## LIGHT ENGINE

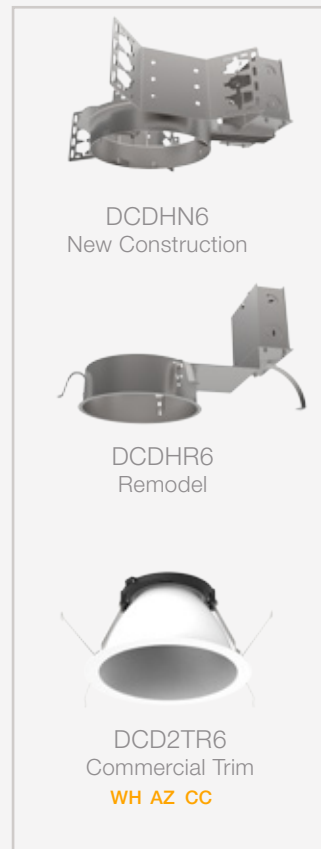
PRODUCT CODE	LUMENS (WATTS)	CRI	CCT
<b>DRD2M</b> Module	<b>7</b> 750 lm (11.8W)	<b>9</b> 93+ CRI	<b>27</b> 2700K <b>35</b> 3500K
	<b>10</b> 1000 lm (14.7W)		<b>30</b> 3000K <b>40</b> 4000K

## Recessed Commercial Options

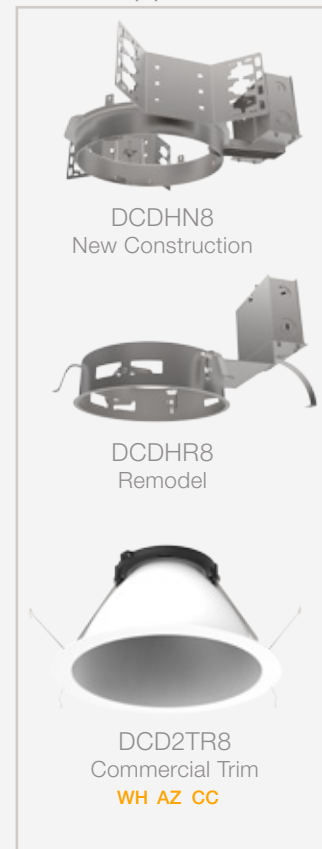
### 4" Application



### 6" Application



### 8" Application



### 4" Application



## Recessed General Options

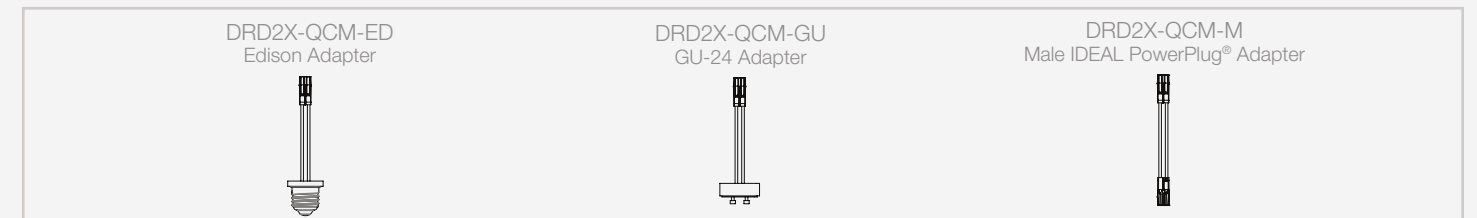
### 5" Application



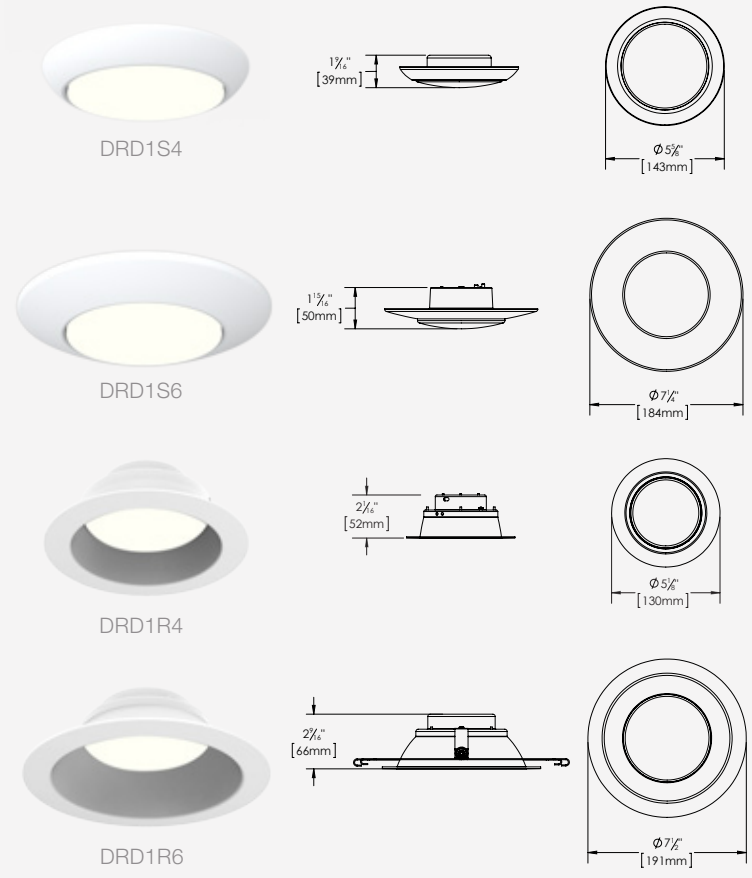
### 6" Application



### Retrofit



# DRD1 LED Module



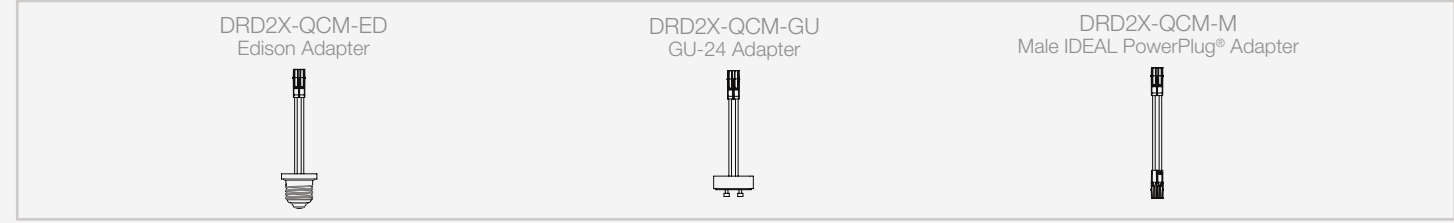
Key	
<b>S4</b> DRD1S4	<b>S6</b> DRD1S6
<b>R4</b> DRD1R4	<b>R6</b> DRD1R6
Wet Location	Air Tight Rated
IC Rated	STC/IIC Sound Rated

LUMINAIRE		
PRODUCT CODE	PROFILE	CCT
<b>DRD1</b> Module	<b>S4</b> 4" Surface	<b>27</b> 2700K
	<b>S6</b> 6" Surface	<b>30</b> 3000K
	<b>R4</b> 4" Recessed	<b>40</b> 4000K
	<b>R6</b> 6" Recessed	

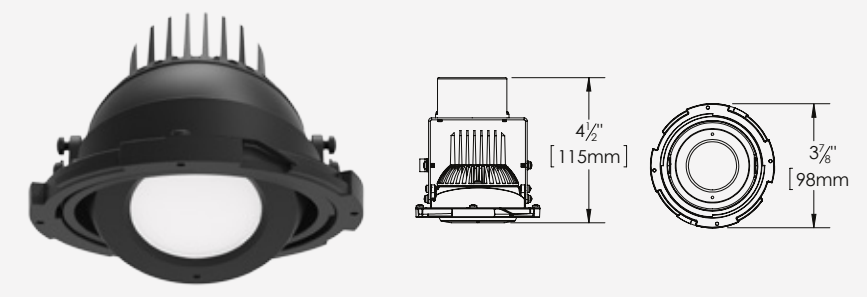
## Surface & Recessed Mount Options



## Retrofit



# DRD3 LED Module

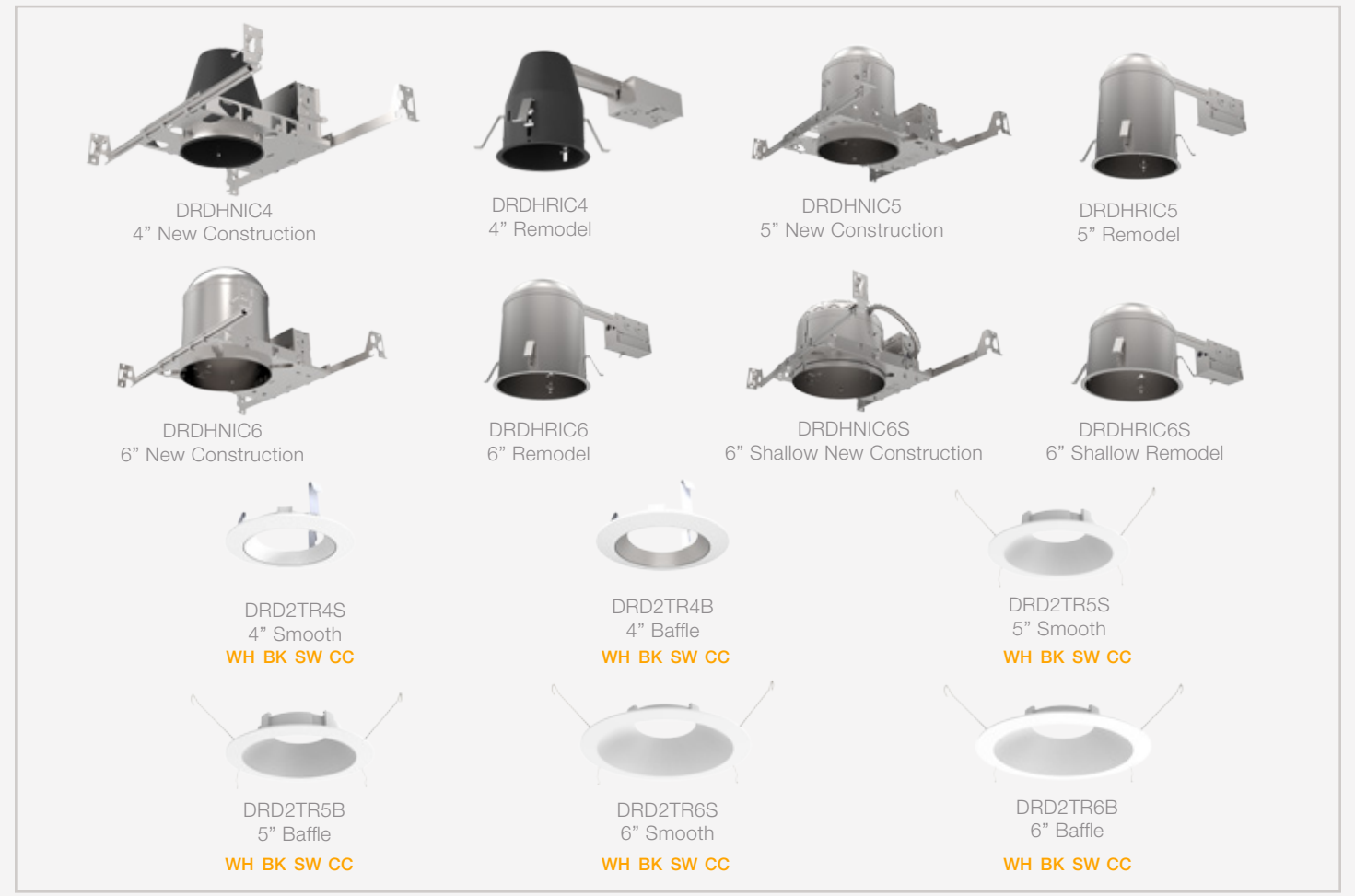


Key	
<b>WH</b> White	IC Rated
<b>BK</b> Black	Air Tight Rated
<b>SW</b> Silver Reflector, White Flange	STC/IIC Sound Rated
<b>CC</b> Custom Colors Available	

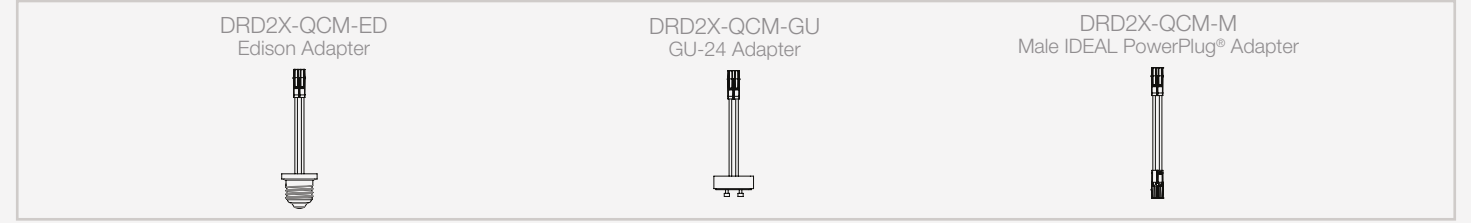
## LIGHT ENGINE

PRODUCT CODE	LUMENS (WATTS)	CRI	CCT	OPTIC	FINISH
<b>DRD3M</b> Module	<b>07</b> 750 lm (12.0W)	<b>9</b> 90+ CRI	<b>27</b> 2700K <b>35</b> 3500K	<b>SP</b> Spot <b>FL</b> Flood	<b>WH</b> White <b>CC</b> Custom <b>BK</b> Black
	<b>10</b> 1000 lm (14.7W)		<b>30</b> 3000K <b>40</b> 4000K		

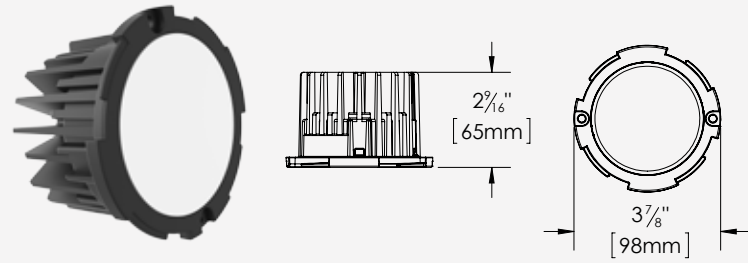
## Recessed General Options



## Retrofit



# DCD1 LED Module



Key	
<b>WH</b> White	UL Listed for Wet Location
<b>BK</b> Black	IC Rated
<b>SW</b> Silver Reflector, White Flange	Air Tight Rated
<b>AZ</b> Low Iridescent Reflector, White Flange	STC/IIC Sound Rated
<b>CC</b> Custom Colors Available	

LIGHT ENGINE

PRODUCT CODE	LUMENS (WATTS)	CRI	CCT	CONSTRUCTION
<b>DCD1M</b> Module	<b>10</b> 1000 lm (13.6W)	<b>9</b> 90+ CRI	<b>27</b> 2700K	<b>A</b> Alternate
	<b>15</b> 1500 lm (14.5W)		<b>30</b> 3000K	
	<b>20</b> 2000 lm (24.0W)		<b>40</b> 4000K	

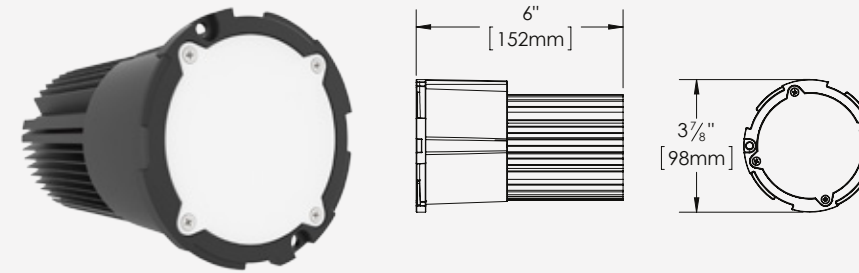
## Recessed Commercial Options

 DCDHN4 4" New Construction	 DCDHN6 6" New Construction	 DCDHN8 8" New Construction
 DCD2TR4 4" Commercial Trim <b>WH AZ CC</b>	 DCDHR6 6" Remodel	 DCDHR8 8" Remodel
 DCD2TR6 6" Commercial Trim <b>WH AZ CC</b>	 DCD2TR8 8" Commercial Trim <b>WH AZ CC</b>	

## Recessed General Options

 DRDHNIC5 5" New Construction	 DRDHRIC5 5" Remodel	 DRDHNIC6 6" New Construction	 DRDHRIC6 6" Remodel	 DRDHNIC6S 6" Shallow New Construction	 DRDHRIC6S 6" Shallow Remodel
 DRD2TR5S 5" Smooth <b>WH BK SW CC</b>	 DRD2TR5B 5" Baffle <b>WH BK SW CC</b>	 DRD2TR5W 5" Wall Wash <b>WH</b>	 DRD2TR6S 6" Smooth <b>WH BK SW CC</b>	 DRD2TR6B 6" Baffle <b>WH BK SW CC</b>	 DRD2TR6W 6" Wall Wash <b>WH</b>

# DCD2 LED Module



Key	
<b>WH</b> White	
<b>AZ</b> Low Iridescent Reflector, White Flange	
<b>CC</b> Custom Colors Available	

LIGHT ENGINE

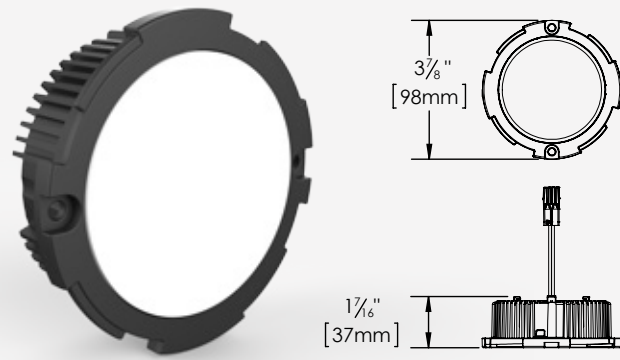
PRODUCT CODE	LUMENS (WATTS)	CRI	CCT	OPTIC
<b>DCD2M</b> Module	<b>15</b> 1500 lm (23.7W)	<b>9</b> 90+ CRI	<b>27</b> 2700K	<b>NF</b> Narrow Flood
	<b>20</b> 2000 lm (31.0W)		<b>30</b> 3000K	<b>FL</b> Flood
	<b>30</b> 3000 lm (43.8W)		<b>35</b> 3500K	<b>WF</b> Wide Flood
	<b>40</b> 4000 lm (60.8W)		<b>40</b> 4000K	

## Recessed Commercial Options

4" Application	6" Application	8" Application
 DCDHN4 New Construction	 DCDHN6 New Construction	 DCDHN8 New Construction
 DCD2TR4 Commercial Trim <b>WH AZ CC</b>	 DCDHR6 Remodel	 DCDHR8 Remodel
	 DCD2TR6 Commercial Trim <b>WH AZ CC</b>	 DCD2TR8 Commercial Trim <b>WH AZ CC</b>



# DRD2 Specialty Frames



**Key**

- Fire Rated
- Wet Location
- IC Rated
- Air tight rated
- STC/IIC sound rated

## LIGHT ENGINE

PRODUCT CODE	LUMENS (WATTS)	CRI	CCT
<b>DRD2M</b> Module	<b>7</b> 750 lm (11.8W)	<b>9</b> 93+ CRI	<b>27</b> 2700K <b>35</b> 3500K
	<b>10</b> 1000 lm (14.7W)		<b>30</b> 3000K <b>40</b> 4000K

## DRDHNJD OneFrame Deep Junction Box

DRDHNJD Deep Junction Box

OCTAGONAL OPENING

DRD2TRJDS Round Trim

DRD2TSJDS Square Trim

## DRDHNJ Junction Box

DRDHNJ Junction Box

SQUARE OPENING

DRD2TRJS Junction Box Trim

## DRDHS Surface Mount

DRDHS Surface Mount

DRD2TRJS Surface Mount Trim

# Dimming Compatibility - Phase-control Wall Dimmers<sup>1</sup>

## DRD2 Recommended Dimmers (Dims down to less than 5% nominal measured light output)

Brand	Series	Model Number	Max # - load DRD2M7	Max # - load DRD2M10
Cooper	Decorator	DLC03P, DAL06P	25	20
Legrand	Adorne	ADPD703TU	35	30
Lutron	Caseta	PD-6WCL	12	10
	CL series	AYCL-153, CTCL-153, DVCL-153, LGCL-153, SCL-153, TGCL-153	12	10
	CL series	AYCL-253, DVCL-253	20	15
	Maestro CL	MACL-153M, MSCL-OP153M, MSCL-VP153M	12	10
	Maestro Wireless	MRF2-6ELV, MRF2-6CL	12	10

## DRD1 Recommended Dimmers (Dims down to less than 5% nominal measured light output)

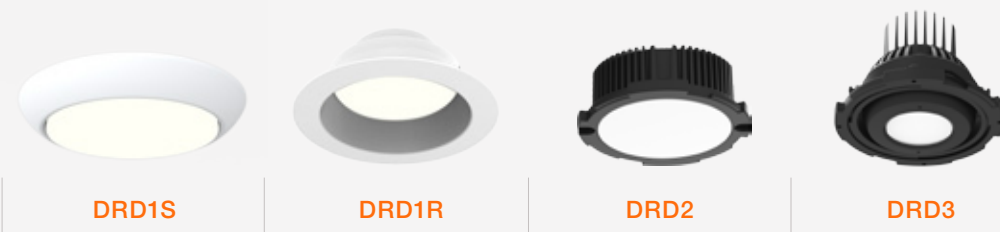
Brand	Series	Model Number	Max # - load DRD1
Cooper	Decorator	DLC03P	9
Leviton	Vizia	VPE04-ILZ, VPE06-ILZ	29
Lutron	Diva	DVELV-300P, DVELV-303P	23
	Maestro	MAELV-600	34
	RadioRA 2	RRD-6NA	34

## DRD3 Recommended Dimmers (Dims down to less than 5% nominal measured light output)

Brand	Series	Model Number	Max # - load DRD3M07	Max # - load DRD3M10
Cooper	Decorator	DAL06P	23	18
Lutron	CL series	CTCL-153	12	10
	Maestro CL	MACL-153M	12	10
	RadioRA 2	RRD-6NA	12	10
	Maestro Wireless	MRF2-6ND	11	10

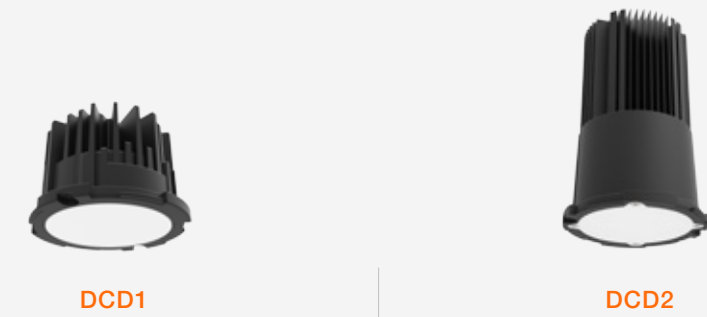
<sup>1</sup>Please see the respective product spec sheet for complete dimming compatibility guidance

# DRD Series



	DRD1S	DRD1R	DRD2	DRD3
<b>Application</b>	New Construction, Remodel, Retrofit			
<b>Light Module</b>	Surface	Recessed	Recessed, Surface	Recessed
<b>Lumen Output (Power)</b>	750 lm (13.0W)	700 lm (13.0W)	750 lm (11.8W) 1000 lm (14.7W)	750 lm (12.0W) 1000 lm (14.7W)
<b>Efficacy</b>	58 lm/W	54 lm/W	64 lm/W, 68 lm/W	
<b>CRI</b>	90+		93+	90+
<b>CCT</b>	2700K, 3000K, 4000K		2700K, 3000K, 3500K, 4000K	
<b>Color Consistency</b>	3-step SDCM		2-step SDCM	
<b>Optics</b>	Flood			Spot, Flood
<b>Adjustment</b>	N/A			360° directional aim 40° tilt
<b>Lifetime (L70)</b>	50,000 hours			
<b>Input Voltage</b>	120V		120/277V	
<b>Standard Dimming</b>	TRIAC/ELV down to 5% for 120V			
<b>Optional Dimming</b>	N/A		0-10V, Lutron for 120/277V	
<b>Warranty</b>	5 years			

# DCD Series



	DCD1	DCD2
<b>Application</b>	New Construction, Remodel	
<b>Light Module</b>	Recessed	
<b>Lumen Output (Power)</b>	1000 lm (13.6), 1500 lm (19.5W) 2000 lm (29.0W)	1500 lm (23.7W), 2000 lm (31.0W) 3000 lm (43.8W), 4000 lm (60.8W)
<b>Efficacy</b>	74 lm/W, 77 lm/W, 69 lm/W	63 lm/W, 65 lm/W, 68 lm/W, 66 lm/W
<b>CRI</b>	90+	
<b>CCT</b>	2700K, 3000K, 3500K, 4000K	
<b>Color Consistency</b>	2-step SDCM	
<b>Optics</b>	Flood	Narrow Flood, Flood, Wide Flood
<b>Lifetime (L70)</b>	50,000 hours	
<b>Input Voltage</b>	120/277V	
<b>Standard Dimming</b>	TRIAC/ELV down to 10% for 120V  0-10V down to 10% for 120/277V	0-10V down to 3% for 120/277V
<b>Optional Dimming</b>	Lutron for 120/277V	
<b>Warranty</b>	5 years	



**dmf** Lighting®

1118 East 223rd Street,  
Carson, California 90745

T: 800.441.4422

E: [info@dmflighting.com](mailto:info@dmflighting.com)

[www.dmflighting.com](http://www.dmflighting.com)