

## PRODUCT SPECIFICATIONS



- Maximum installation compatibility
- Easy, tool-free installation, including Twist & Lock trim feature
- 750 & 1000 lumen outputs
- 2700K, 3000K, 3500K, 4000K CCT
- Flicker-free TRIAC/ELV dimming standard, 0-10V or Lutron Hi-lume 1% dimming available
- 50,000 hr lifetime at 70% lumen maintenance
- 5 year limited warranty



### Frame-in Kit

**MOUNTING FRAME:** Die-formed sheet metal.

**JUNCTION BOX:** Galvanized steel. Equipped with (4) 1/2" and (2) 3/4" knockouts with pryout slots to allow straight conduit runs. Junction box tension spring allows snap-in installations of plate cover for easy access to wiring. Approved for 8 (four-in, four-out) #12 AWG 90 through wire conductors.

**MOUNTING:** 4 tempered steel spring clips to secure housing to existing ceiling.

**CEILING:** 1/2" up to 1".

**CUTOUT:** 6 5/8" (6" frame-in kit), 8 1/16" (8" frame-in kit).

### Light Engine

**LED:** Tightly binned, high performing white Cree® LED.

**LUMEN OUTPUT (POWER):** 750 lm (11.8W), 1000 lm (14.7W).

**CRI:** 93+.

**CCT:** 2700K, 3000K, 3500K, 4000K.

**BINNING:** Color variation within 2-step MacAdam ellipse.

**CONNECTOR:** IDEAL PowerPlug® Luminaire Disconnect, female. Alternate module construction with 0-10V or Lutron Hi-lume 1% dimming and/or Emergency Battery Backup Unit uses IDEAL PowerPlug® Model 102.

**DRIVER:** Integral electronic driver for 120/277V 50/60Hz operation. Electronic driver compatible with forward and reverse phase-control dimming at 120V only.

**DIMMING:** TRIAC/ELV for 120V only with flicker-free dimming down to 5% of total lumen output standard. Optional 0-10V, Lutron® Hi-lume® 1% EcoSystem™ or Lutron Hi-lume 1% 3-wire LED dimming available for 120/277V.

**LIFETIME:** 50,000 hours at 70% lumen maintenance.

**PHOTOMETRIC TESTING:** Tested in accordance to IESNA LM-79-2008.

**LISTINGS:** cULus Listed. ENERGY STAR® qualified. Title 24 compliant. UL Listed for Wet Location. CEC listed.

**WARRANTY:** 5 year limited warranty.

### Trim

**CONSTRUCTION:** Self flanged, spun aluminum reflector.

**FINISHES:** White or Alzak® low iridescent reflector with white flange.

Product Code:		Type:	
Project:		Contact:	Date:



### PRODUCT SELECTION GUIDE

#### FRAME-IN KIT

Product Code Example: **DCDHR6**

PRODUCT CODE	APPLICATION	APERTURE	DIMMING OPTION
<b>DCDH</b>	Housing	<b>R</b> Remodel	<b>[Blank]</b> TRIAC Dimming (Standard)
			<b>70</b> 0-10V Dimming 750 lm
		<b>6</b> 6" Aperture	<b>100</b> 0-10V Dimming 1000 lm
		<b>8</b> 8" Aperture	<b>7C</b> Lutron LDE1 <sup>1</sup> Dimming, 750 lm
			<b>10C</b> Lutron LDE1 <sup>1</sup> Dimming, 1000 lm
			<b>7W</b> Lutron L3DA3W <sup>2</sup> Dimming, 750 lm
			<b>10W</b> Lutron L3DA3W <sup>2</sup> Dimming, 1000 lm

#### LIGHT ENGINE

Product Code Example: **DRD2M7927**

PRODUCT CODE	LUMENS (WATTS)	CRI	CCT	OPTION
<b>DRD2M</b>	Module	<b>7</b> 750 lm (11.8W)	<b>9</b> 93+ CRI	<b>A</b> Alternate Construction Uses an IDEAL Model 102 connector for alternate dimming option compatibility; Must be selected if alternate dimming option is selected for frame-in kit
		<b>10</b> 1000 lm (14.7W)		
		<b>27</b> 2700K		
		<b>30</b> 3000K		
		<b>35</b> 3500K		
		<b>40</b> 4000K		

#### TRIM

Product Code Example: **DCD2TR6SWH**

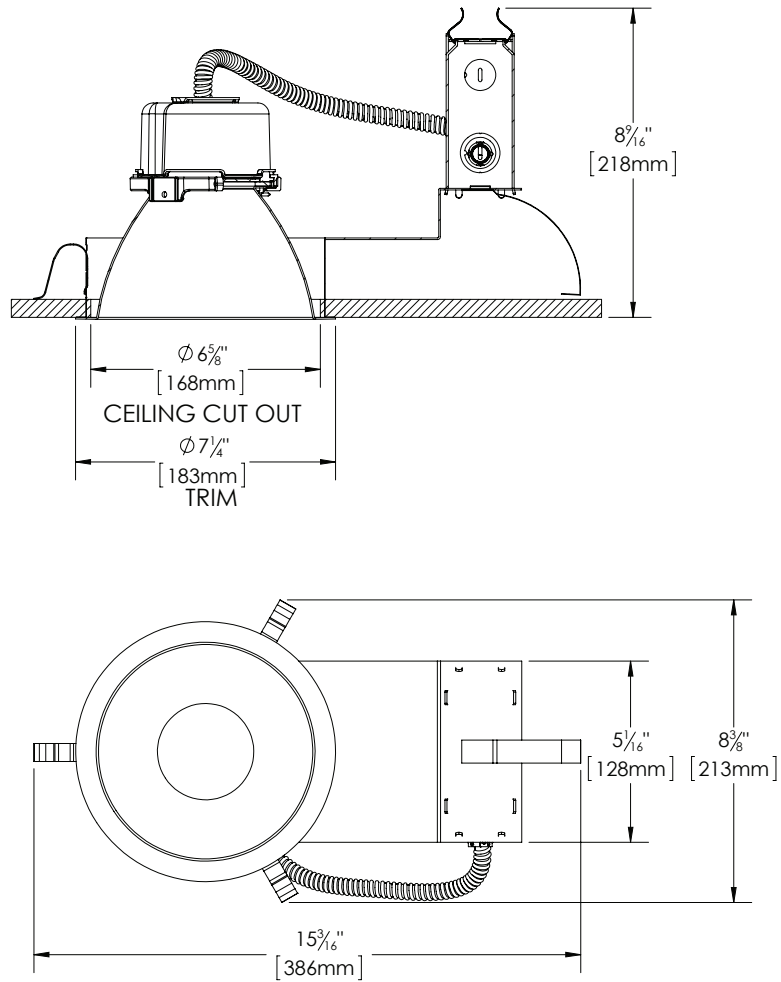
PRODUCT CODE	SHAPE	APERTURE	STYLE	FINISH
<b>DCD2T</b>	Trim	<b>R</b> Round	<b>S</b> Smooth	<b>WH</b> White
				<b>AZ</b> Low Iridescent Reflector, White Flange
		<b>6</b> 6" Aperture		<b>CC</b> Custom
		<b>8</b> 8" Aperture		

<sup>1</sup> Lutron LDE1 Dimming refers to Lutron Hi-lume 1% EcoSystem LED driver with Soft-on, Fade-to-Black™

<sup>2</sup> Lutron L3DAE Dimming refers to Lutron Hi-lume 1% 3-wire LED driver

## FRAME-IN KIT DIMENSIONS

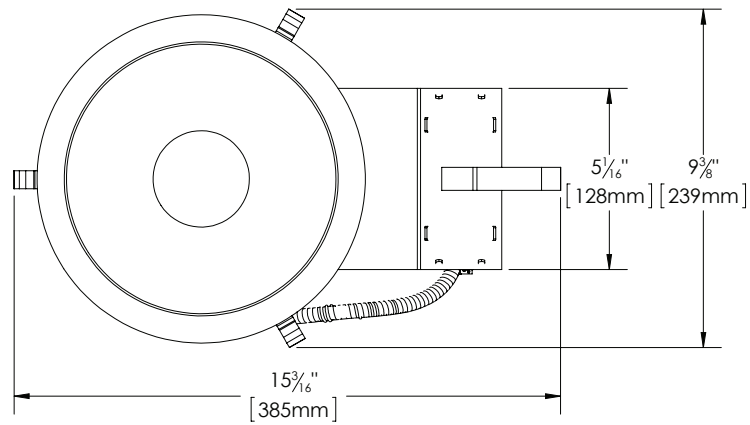
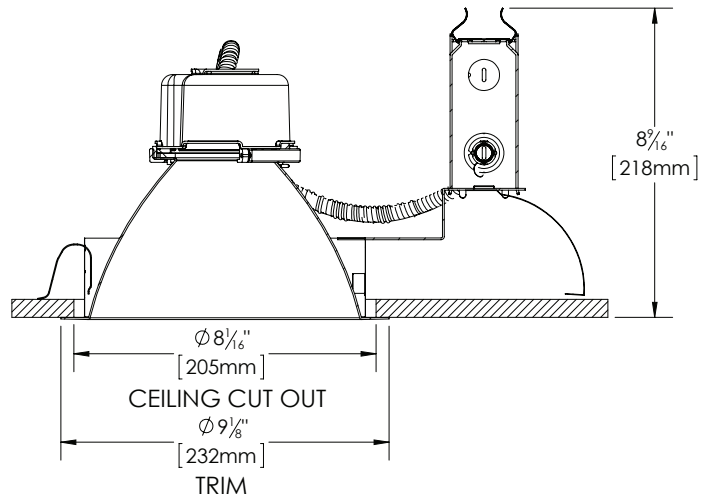
**DCDHR6**  
6" Commercial Remodel Frame-in Kit



## FRAME-IN KIT DIMENSIONS

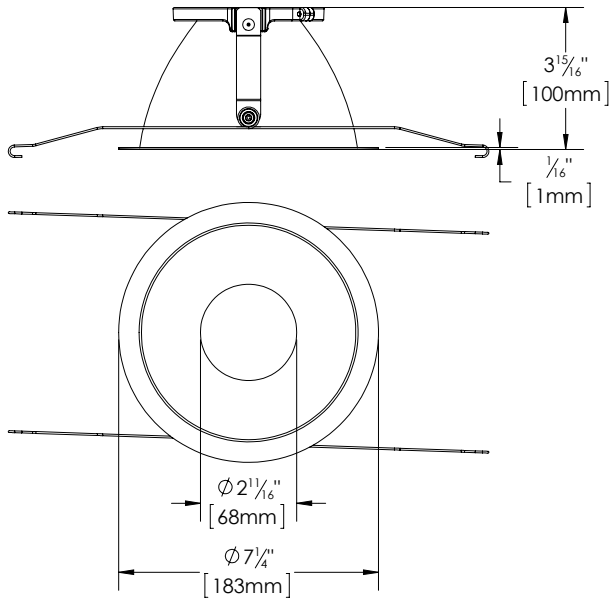
### DCDHR8

#### 8" Commercial Remodel Frame-in Kit

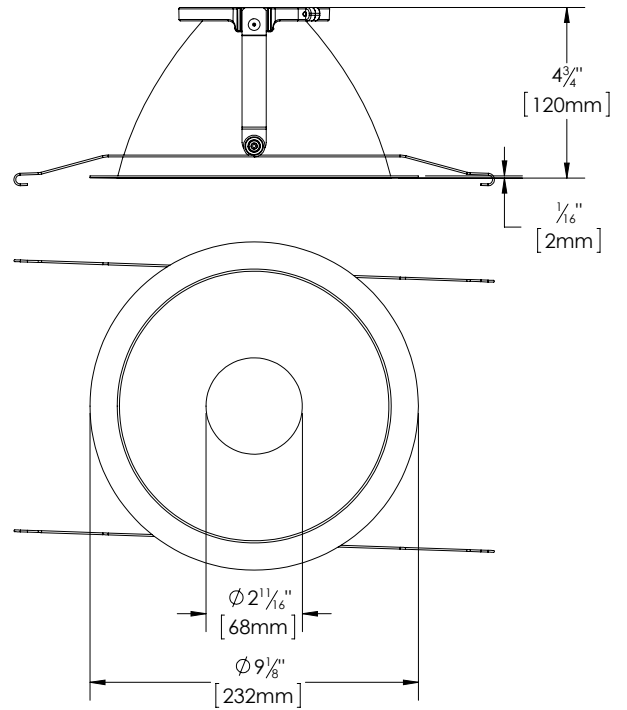


## TRIM DIMENSIONS

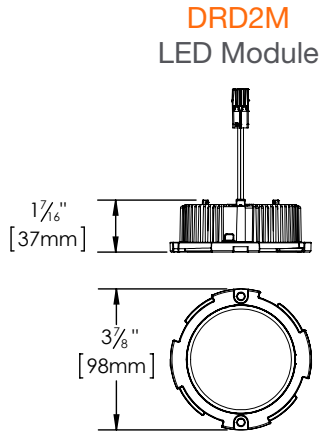
**DCD2TR6**  
6" Commercial Trim



**DCD2TR8**  
8" Commercial Trim



## LIGHT ENGINE OVERVIEW

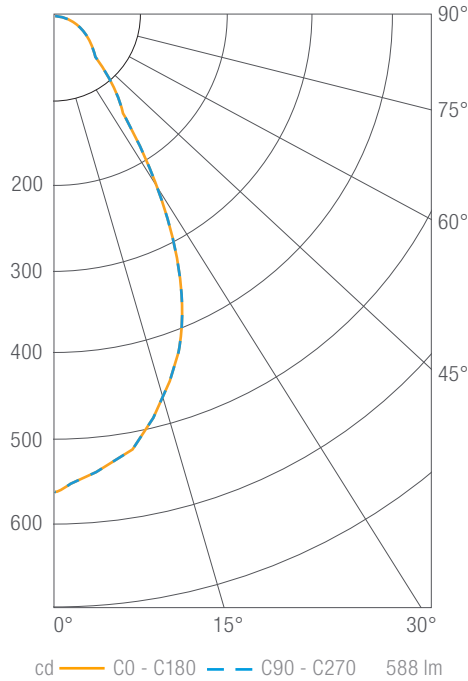


	DRD2M7	DRD2M10
Module Lumen Output (lm)	750	1000
Rated Power (W)	11.8	14.7
Efficacy (lm/W)	64	68
Color Rendering Index	93+	
CCT Options	2700K, 3000K, 3500K, 4000K	
Binning	2-step SDCM	
Beam Angle	Very Wide Flood (90°)	
Lifetime (L70)	50,000	
Max Ambient Operating Temperature	40°C	
Input Voltage (V)	120/277V, 50/60Hz	
Input Current at 120V (Max)	0.10A	0.13A
Input Current at 277V (Max)	0.042A	0.053A
Power Factor	>0.9	
Total Harmonic Distortion	<20%	
Dimming	100% - 5%	



## PHOTOMETRICS

Light Engine: **DRD2M7930** (DRD2 Module, 750 lm, 93 CRI, 3000K)  
Trim: **DCD2TR6SWH** (DCD2 Trim, 6" Aperture, Smooth, White)



### Luminous Intensity

Gamma	C 0°
0.0°	960
5.0°	924
10.0°	888
15.0°	812
20.0°	723
25.0°	585
30.0°	396
35.0°	239
40.0°	176
45.0°	113
50.0°	96
55.0°	80
60.0°	66
65.0°	53
70.0°	41
75.0°	30
80.0°	20
85.0°	12
90.0°	4

Values in candela

### Application Reference

LED Module	Flux (lm)	Power (W)	Downlight Spacing (ft)	Average Illuminance (fcd)	Max/Min	LPD (W/sq ft)
DRD2M7	588	11.8	4 x 4	47	1.23	0.72
			6 x 6	18	1.31	0.38
			8 x 8	9	2.43	0.18

Calculation Area: 50'(L) x 40'(W) x 10'(H)  
LLF 1.0, 80/50/20 Reflectance, 2.5'(H) Workplane  
Spacing Criteria: 1.28

### Zonal Lumen Summary

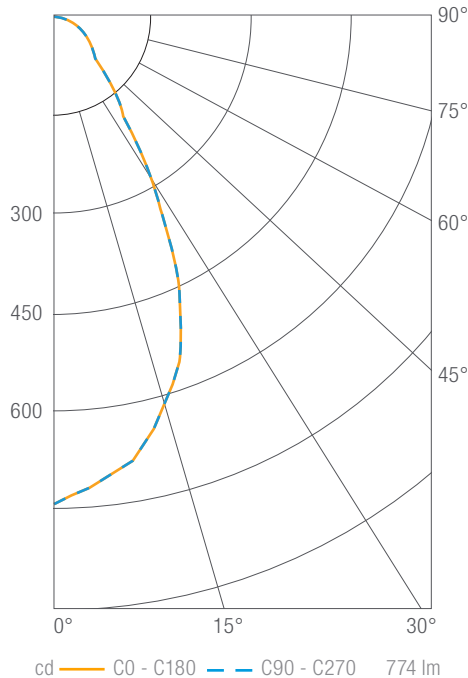
Zone	Lumens	Luminaire %
0-30	338	57%
0-40	433	74%
0-60	531	90%
0-90	588	100%
0-180	588	100%

### CCT Multiplier

CCT	Lumen Factor
2700K	0.87
3000K	1.00
3500K	1.00
4000K	1.07

Value based upon testing with 3500, 95CRI. Lumen output of other color temperature can be determined by multiplying the relative lumen factor.

Light Engine: **DRD2M10930** (DRD2 Module, 1000 lm, 93 CRI, 3000K)  
Trim: **DCD2TR6SWH** (DCD2 Trim, 6" Aperture, Smooth, White)



### Luminous Intensity

Gamma	C 0°
0.0°	960
5.0°	924
10.0°	888
15.0°	812
20.0°	723
25.0°	585
30.0°	396
35.0°	239
40.0°	176
45.0°	113
50.0°	96
55.0°	80
60.0°	66
65.0°	53
70.0°	41
75.0°	30
80.0°	20
85.0°	12
90.0°	4

Values in candela

### Application Reference

LED Module	Flux (lm)	Power (W)	Downlight Spacing (ft)	Average Illuminance (fcd)	Max/Min	LPD (W/sq ft)
DRD2M10	774	14.7	4 x 4	48	1.22	0.84
			6 x 6	24	1.29	0.44
			8 x 8	12	2.46	0.21

Calculation Area: 50'(L) x 40'(W) x 10'(H)  
LLF 1.0, 80/50/20 Reflectance, 2.5'(H) Workplane  
Spacing Criteria: 1.28

### Zonal Lumen Summary

Zone	Lumens	Luminaire %
0-30	444	57%
0-40	570	74%
0-60	699	90%
0-90	774	100%
0-180	774	100%

### CCT Multiplier

CCT	Lumen Factor
2700K	0.93
3000K	1.00
3500K	1.00
4000K	1.07

Value based upon testing with 3500, 95CRI. Lumen output of other color temperature can be determined by multiplying the relative lumen factor.

**DIMMER COMPATIBILITY**

Recommended Phase-control Dimmers (Dims down to less than 5% nominal measured light output)

Brand	Series	Model Number	Max # - load DRD2M7xx	Max # - load DRD2M10xx
<b>Control 4</b>	Control 4	C4-APD120	10	9
<b>Cooper</b>	Decorator	DLC03P, DAL06P	25	20
<b>Legrand</b>	Adorne	ADPD703TU	35	30
<b>Lutron</b>	Caseta	PD-6WCL	12	10
	CL series	AYCL-153, CTCL-153, DVCL-153, LGCL-153, SCL-153, TGCL-153	12	10
	CL series	AYCL-253, DVCL-253	20	15
	Grafik Eye 3000	QSGR-3P	30	25
	Grafik Sys/Homeworks	LP-RPM-4U	30	25
	Grafik Sys/Homeworks	LP-RPM-4A	25	20
	Maestro CL	MACL-153M, MSCL-OP153M, MSCL-VP153M	12	10
Maestro Wireless	MRF2-6ELV, MRF2-6CL	12	10	

 Compatible Phase-control Dimmers<sup>1</sup> (Dims down to less than 20% nominal measured light output)

Brand	Series	Model Number	Max # - load DRD2M7xx	Max # - load DRD2M10xx
<b>Cooper</b>	Slide	SLC03P, SAL06P	25	20
<b>Legrand</b>	Harmony	H703PTU, HCL453P	30	25
<b>Leviton</b>	IllumaTech Slide	IPE04	25	20
<b>Lutron</b>	SureSlide	6621, 6674	10	10
	Diva	DV-600	12	10
	Maestro	MA-600	12	9
	Maestro ELV	MAELV-600, MSCELV-600	35	30
	Maestro Wireless	MRF2-6ND	12	10
	Radio RA	RRD-6NA, RRD-6CL, RRD-6D	12	10
	Skylark	S-600, SLV-600	35	30
	Skylark	S-1000	20	18
	Skylark ELV	SELV-300	25	20
	Ariadni/Toggler	AY-603, TG-603	12	10
	Power Booster	PHPM-PA/PHPM-WBX	25	20
<b>Lightolier</b>	Sunrise	SR400RPC120, ZP260QEW	20	15
<b>Watt Stopper</b>	Dimming Sensor	PW-100D	14	12

<sup>1</sup> Dimmer compatibility reflects performance compatibility only. Please reference your local codes for application.