

PRODUCT SPECIFICATIONS



- Extruded aluminum with silver finish
- Frosted glass dome provides ambient uplighting
- Optional partially frosted bottom lens
- 1500, 2000, 3000, 4000 lumen outputs, powered by Cree 90+ CRI LED
- Available 2700K, 3000K, 3500K or 4000K CCT
- Continuous 0-10V dimming standard
- 50,000 hour lifetime (L70)
- 5 year limited warranty



Luminaire

PENDANT: Extruded aluminum body with silver powder coat finish. Spun aluminum ring with silver powder coat finish. White frosted glass dome. Optional partially frosted bottom glass.

MOUNTING: 4" solid square fixture hanger attached over 4" octagonal junction box (by others). Aircraft cables anchored to ceiling. Optional 3/4" pendant stem (by others).

CANOPY: Spun aluminum canopy with silver finish. Available in flat or round.

LED: Next generation Cree® CXB3050 chip-on-board LED.

LUMEN OUTPUT (POWER): 1500 lm (23.8W), 2000 lm (31.1W), 3000 lm (43.8W), 4000 lm (60.8W).

CRI: 90+.

CCT: 2700K, 3000K, 3500K, 4000K.

BINNING: Color variation within 2-step MacAdam ellipse (SDCM).

HEAT SINK: Forged and extruded heat sink with pressed copper heat pipes and Dual Phase Cooling™ technology.

DRIVER: Integrated class 2 power supply at 120/277V 50/60Hz.

DIMMING: 0-10V with flicker-free dimming down to 5% of total lumen output standard.

LIFETIME: 50,000 hours at 70% lumen maintenance.

PHOTOMETRIC TESTING: Tested in accordance to IESNA LM-79-2008.

LISTINGS: ETL Listed. ENERGY STAR® qualified. Title 24 compliant.

WARRANTY: 5 year limited warranty.

Product Code:		Type:	
Project:	Contact:	Date:	



DP610LED

LED Pendant

PRODUCT SELECTION GUIDE

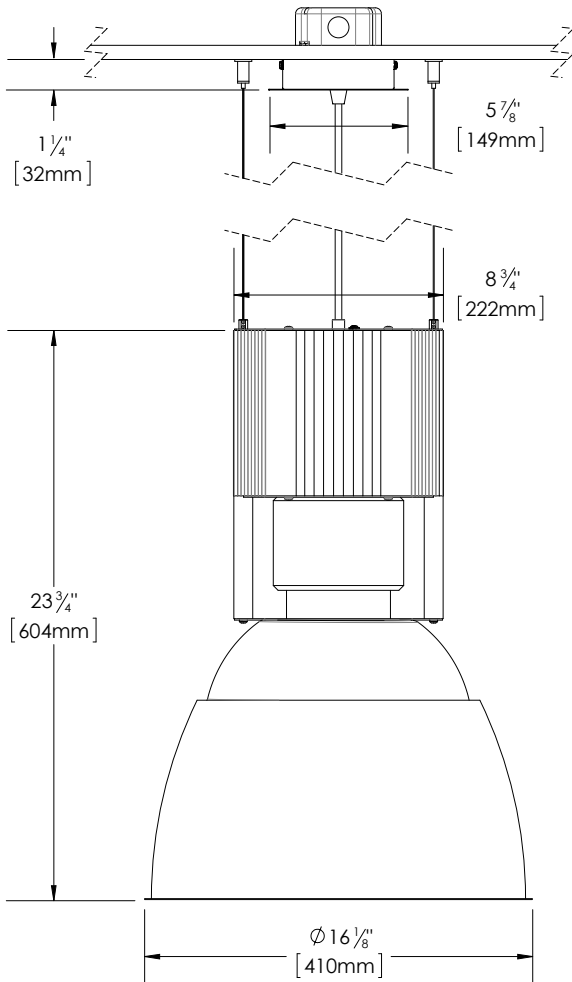
LUMINAIRE

Product Code Example: **DP610LED1527WR**

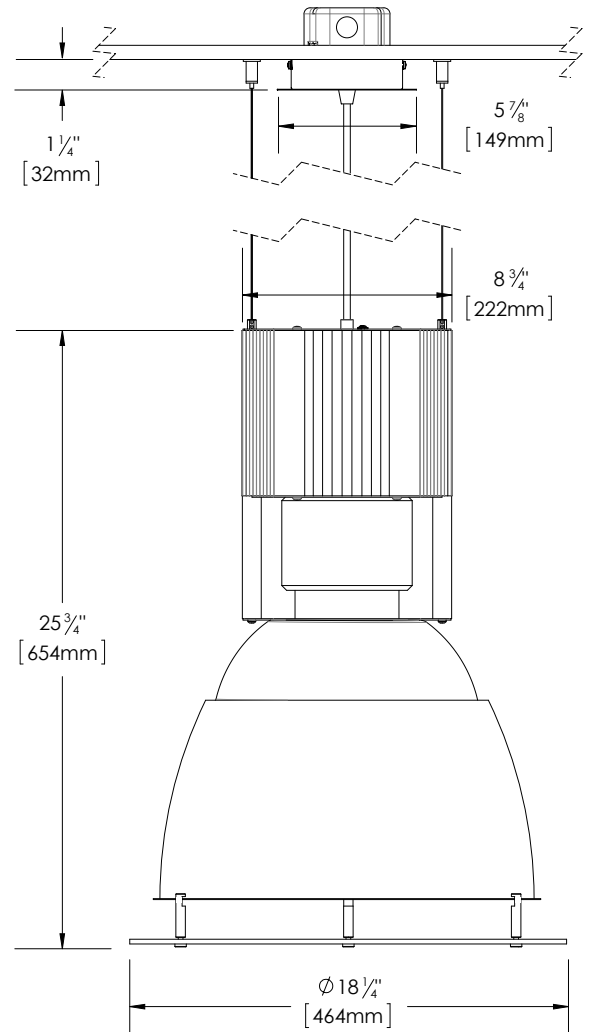
PRODUCT CODE	LUMENS (WATTS)	CCT	OPTIC	MOUNTING	LENS
DP610LED LED Pendant	15 1500 lm (23.8W)	27 2700K	W Wide Flood	F Flat Canopy	[Blank] No Lens
	20 2000 lm (31.1W)	30 3000K			L Bottom Lens
	30 3000 lm (43.8W)	35 3500K	R Round Canopy		
	40 4000 lm (60.8W)	40 4000K			

LUMINAIRE DIMENSIONS

DP160LEDxxxxWF
LED Pendant with
Flat Canopy



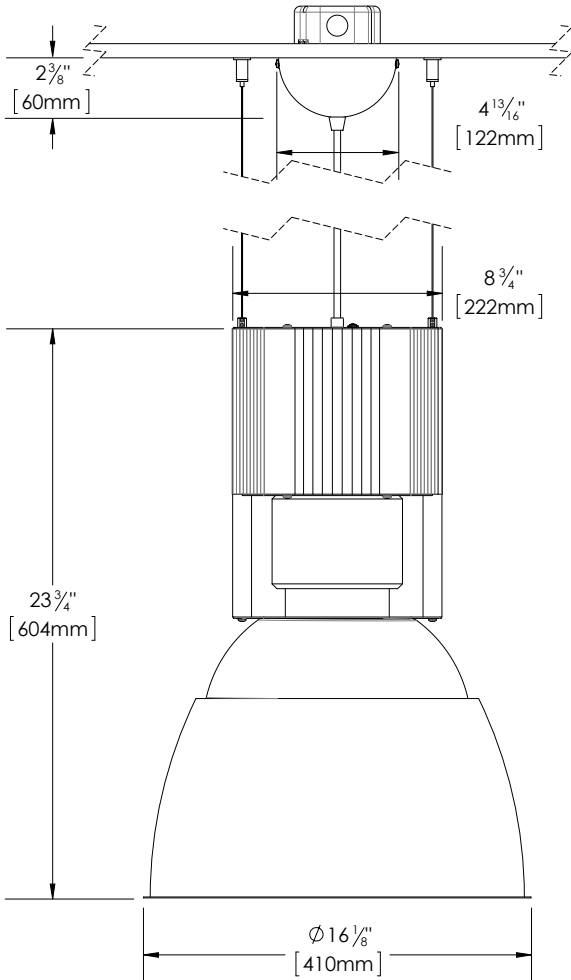
DP160LEDxxxxWFL
LED Pendant with
Flat Canopy and Bottom Lens



LUMINAIRE DIMENSIONS

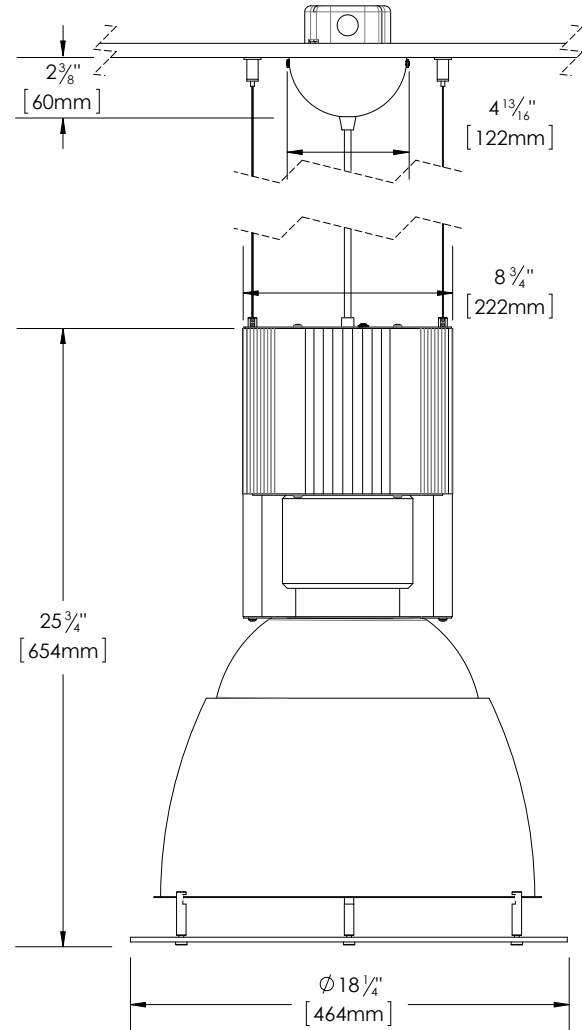
DP610LEDxxxxWR

LED Pendant with
Round Canopy



DP610LEDxxxxWRL

LED Pendant with
Round Canopy and Bottom Lens



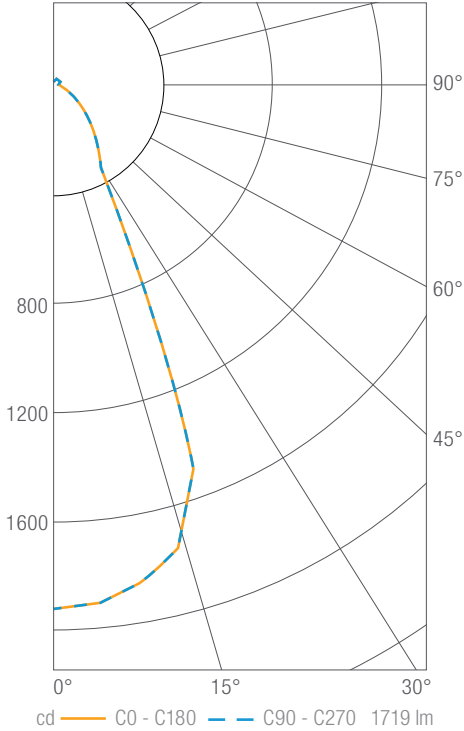


LIGHT ENGINE OVERVIEW

	DP610LED15	DP610LED20	DP610LED30	DP610LED40
Total Module Lumen Output (lm)	1500	2000	3000	4000
Total Rated Power (W)	23.7	31.0	43.8	60.8
Efficacy (lm/W)	63	65	68	66
Color Rendering Index	90+			
CCT Options	2700K, 3000K, 3500K, 4000K			
Binning	2-step SDCM			
Lifetime (L70)	50,000 hours			
Max Ambient Operating Temperature	40°C			
Input Voltage (V)	120 or 277VAC, 50/60Hz			
Input Current at 120V (Max)	0.20A	0.26A	0.37A	0.51A
Input Current at 277V (Max)	0.10A	0.12A	0.16A	0.22A
Power Factor	>0.9			
Total Harmonic Distortion	<20%			
Dimming	100% - 5%			

PHOTOMETRICS

Luminaire: **DP610LED1530** (DP610 LED Pendant, 1500 lm, 90 CRI, 3000K)



Luminous Intensity

Gamma	C 0°	Gamma	C 0°
0°	1921	95°	18
5°	1905	100°	24
10°	1849	105°	26
15°	1761	110°	27
20°	1504	115°	28
25°	654	120°	27
30°	350	125°	27
35°	295	130°	26
40°	230	135°	26
45°	177	140°	25
50°	132	145°	25
55°	104	150°	24
60°	84	155°	22
65°	68	160°	18
70°	53	165°	16
75°	41	170°	14
80°	30	175°	12
85°	23	180°	11
90°	18		

Values in candela

Zonal Lumen Summary

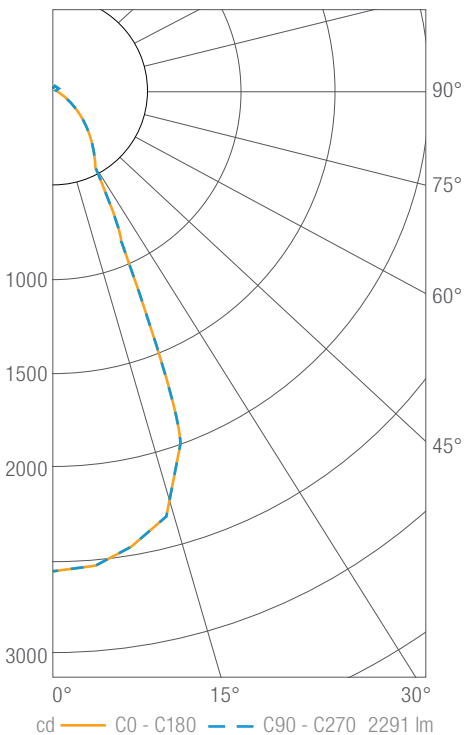
Zone	Lumens	Luminaire %
0-30	1017	59
0-40	1199	70
0-60	1432	83
0-90	1568	91
0-180	1719	100
90-180	150	9

Illuminance Chart

Distance from LED	Foot Candles	Diameter
6.0'	53	5.1'
9.0'	24	7.7'
12.0'	13	10.2'
14.0'	10	12.0'

Beam Angle: 46°

Luminaire: **DP610LED2030** (DP610 LED Pendant, 2000 lm, 90 CRI, 3000K)



Luminous Intensity

Gamma	C 0°	Gamma	C 0°
0°	2561	95°	24
5°	2539	100°	32
10°	2465	105°	34
15°	2347	110°	36
20°	2005	115°	37
25°	871	120°	36
30°	467	125°	36
35°	393	130°	34
40°	307	135°	34
45°	236	140°	33
50°	176	145°	33
55°	139	150°	32
60°	112	155°	29
65°	90	160°	24
70°	70	165°	22
75°	54	170°	19
80°	40	175°	16
85°	30	180°	14
90°	24		

Values in candela

Zonal Lumen Summary

Zone	Lumens	Luminaire %
0-30	1355	59
0-40	1598	70
0-60	1909	83
0-90	2091	91
0-180	2291	100
90-180	200	9

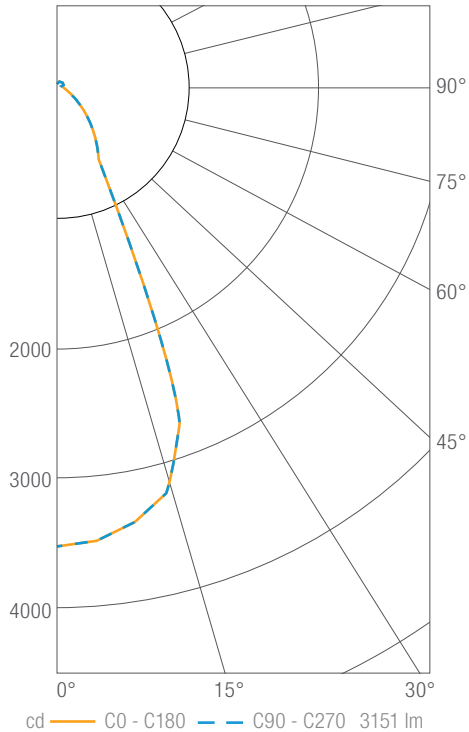
Illuminance Chart

Distance from LED	Foot Candles	Diameter
6.0'	71	5.1'
9.0'	32	7.7'
12.0'	18	10.2'
14.0'	13	12.0'

Beam Angle: 46°

PHOTOMETRICS

Luminaire: **DP610LED3030** (DP610 LED Pendant, 3000 lm, 90 CRI, 3000K)



Luminous Intensity

Gamma	C 0°	Gamma	C 0°
0°	3522	95°	34
5°	3493	100°	43
10°	3390	105°	47
15°	3229	110°	49
20°	2757	115°	51
25°	1198	120°	49
30°	643	125°	49
35°	540	130°	47
40°	422	135°	47
45°	325	140°	45
50°	242	145°	45
55°	191	150°	43
60°	154	155°	39
65°	124	160°	34
70°	97	165°	30
75°	75	170°	26
80°	55	175°	22
85°	41	180°	20
90°	34		

Values in candela

Zonal Lumen Summary

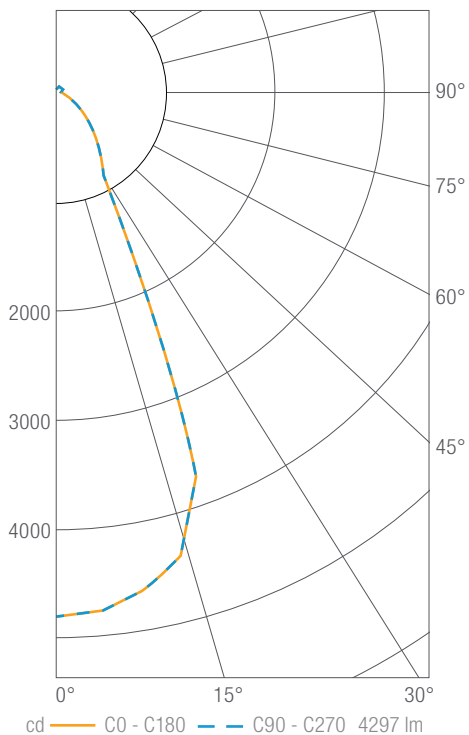
Zone	Lumens	Luminaire %
0-30	1864	59
0-40	2199	70
0-60	2626	83
0-90	2875	91
0-180	3151	100
90-180	276	9

Illuminance Chart

Distance from LED	Foot Candles	Diameter
9.0'	43	7.7'
12.0'	24	10.2'
15.0'	18	12.0'
18.0'	11	15.3'

Beam Angle: 46°

Luminaire: **DP610LED4030** (DP610 LED Pendant, 4000 lm, 90 CRI, 3000K)



Luminous Intensity

Gamma	C 0°	Gamma	C 0°
0°	4803	95°	46
5°	4763	100°	59
10°	4623	105°	65
15°	4403	110°	67
20°	3761	115°	70
25°	1634	120°	67
30°	876	125°	67
35°	737	130°	65
40°	575	135°	65
45°	444	140°	62
50°	331	145°	62
55°	261	150°	59
60°	210	155°	54
65°	169	160°	46
70°	132	165°	40
75°	102	170°	35
80°	75	175°	30
85°	56	180°	27
90°	46		

Values in candela

Zonal Lumen Summary

Zone	Lumens	Luminaire %
0-30	2542	59
0-40	2998	70
0-60	3581	83
0-90	3921	91
0-180	4297	100
90-180	376	9

Illuminance Chart

Distance from LED	Foot Candles	Diameter
12.0'	33	10.2'
14.0'	25	12.0'
18.0'	15	15.4'
20.0'	12	17.1'

Beam Angle: 46°



DIMMER COMPATIBILITY

Recommended 0-10V Dimmers (Dims down to 5% nominal measured light output)

Brand	Series	Model Number	Max Load DP610LED15	Max Load DP610LED20	Max Load DP610LED30	Max Load DP610LED40
Legrand	Titan	CD4FB	98	74	52	38
Leviton	IllumaTech	IP710-DLZ	35	37	26	19
Lithonia	Synergy	ISD BC	36	37	26	19
Lutron	Diva	DVTV	54	59	42	30
	Nova	NFTV	57	60	42	30
	Nova	NTSTV-DV	78	59	42	30
	PowPak	RMJ-5T-DV-B	24	24	24	24
Watt Stopper	Micro Decorator Style	DCLV1	98	75	53	39