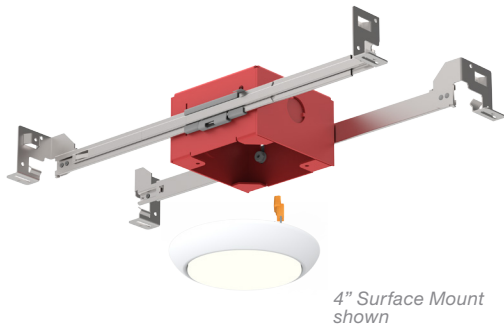


## PRODUCT SPECIFICATIONS



- All-in-one LED luminaire for retrofit, remodel, and new construction
- Slim, drawn aluminum construction
- Easy, tool-less installation for standard 4" junction boxes
- 750 lumens of pleasing, low glare light, powered by Lumileds LEDs
- 120V operation with flicker-free TRIAC/ELV dimming down to 10%
- 50,000 hour lifetime (L70)
- 5 year limited warranty

### Frame-in Kit

**JUNCTION BOX:** Metallic outlet box certified UL514A up to 2 hour fire rating. Equipped with (4) 1/2" trade size knockouts (two side, two top) to allow straight conduit runs. Approved for 8 (four in, four out) #12 AWG 90°C through wiring conductors.

**MOUNTING:** Pre-installed mounting brackets allow vertical adjustment of bar hangers up to 1".

**CEILING:** 1/2" up to 1 1/4".

**CUTOUT:** 3 7/8" square.

### Luminaire

**LED:** Tightly binned Lumileds LED.

**LUMEN OUTPUT:** 700 lm (recessed), 750 lm (surface mount).

**POWER:** 13W.

**CRI:** 90+.

**CCT:** 2700K, 3000K, 4000K.

**BINNING:** Color variation within 3-step MacAdam ellipse (SDCM).

**CONNECTOR:** IDEAL PowerPlug® Luminaire Disconnect, female.

**DRIVER:** Integral electronic driver for 120V 50/60Hz operation. Electronic driver compatible with forward and reverse phase-control dimming at 120V only.

**DIMMING:** TRIAC/ELV for 120V only with flicker-free dimming down to 10% of total lumen output.

**LIFETIME:** 50,000 hours at 70% lumen maintenance

**PHOTOMETRIC TESTING:** Tested in accordance to IESNA LM-79-2008.

**TRIM:** Slim, drawn-aluminum construction.

**LISTINGS:** IC rated. cULus Listed. ENERGY STAR® qualified. Title 24 compliant. ASTM E283 certified Air Tight. DRDHNJ metallic outlet box certified UL514A up to 2 hour fire rating. UL Listed for Wet Location. CEC listed.

**WARRANTY:** 5 year limited warranty.



Product Code:	Type:	
Project:	Contact:	Date:

## PRODUCT SELECTION GUIDE

### FRAME-IN KIT

Product Code Example: **DRDHNJ**

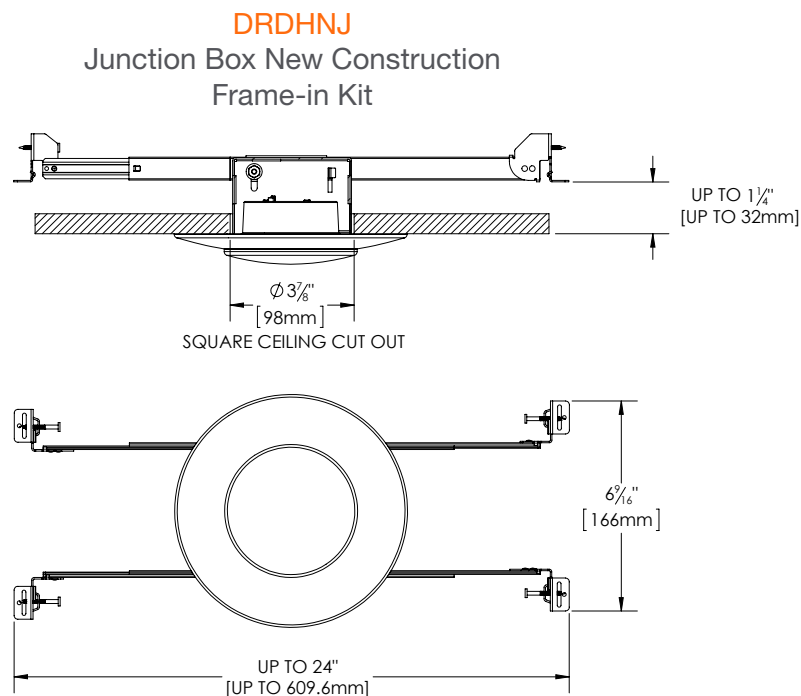
PRODUCT CODE	APPLICATION	APERTURE
<b>DRDH</b> Housing	<b>N</b> New Construction	<b>J</b> Junction Box

### LUMINAIRE

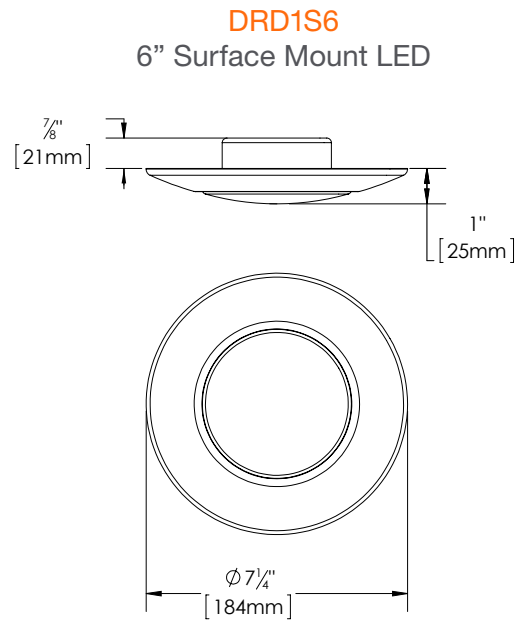
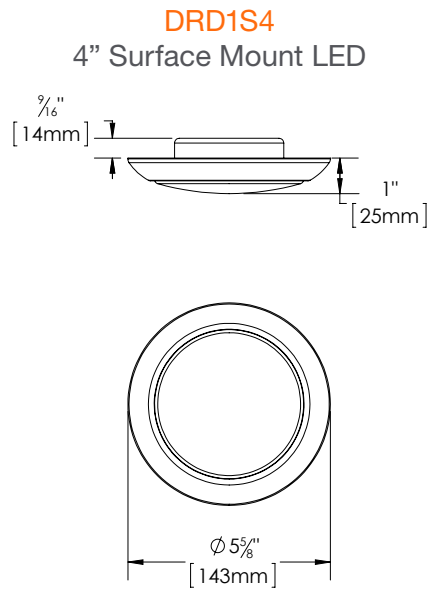
Product Code Example: **DRD1S430**

PRODUCT CODE	PROFILE	CCT
<b>DRD1</b> Luminaire	<b>S4</b> 4" Surface Mount	<b>27</b> 2700K
	<b>S6</b> 6" Surface Mount	<b>30</b> 3000K
		<b>40</b> 4000K

## FRAME-IN KIT DIMENSIONS



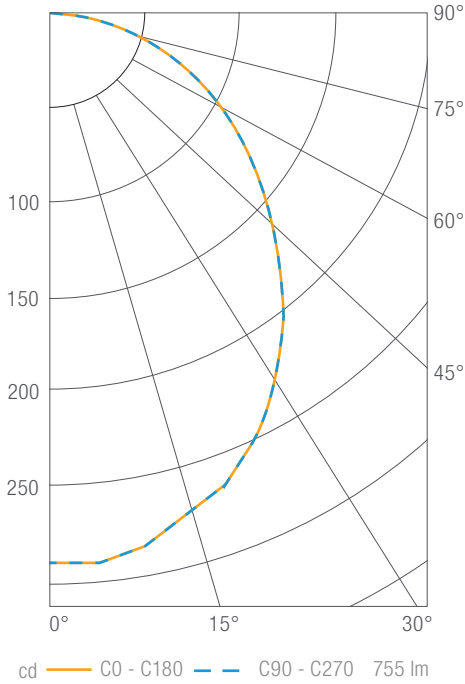
## LUMINAIRE OVERVIEW



	DRD1S
Total Delivered Lumen Output (lm)	750
Total Rated Power (W)	13.0
Efficacy (lm/W)	58
Color Rendering Index	90+
CCT Options	2700K, 3000K, 4000K
Optics	Wide Flood
Binning	3-step SDCM
Lifetime (L70)	50,000 hours
Max Ambient Operating Temperature	40°C
Input Voltage (V)	120V, 50/60Hz
Input Current at 120V (Max)	0.11A
Power Factor	>0.9
Total Harmonic Distortion	<13%
Dimming	100% - 10%

## PHOTOMETRICS

Luminaire: **DRD1Sx30** (DRD1 Surface Mount Luminaire, 750 lm, 90 CRI, 3000K)



### Luminous Intensity

Gamma	C 0°
0.0°	290
5.0°	291
10.0°	286
15.0°	276
20.0°	265
25.0°	251
30.0°	232
35.0°	213
40.0°	192
45.0°	169
50.0°	148
55.0°	127
60.0°	106
65.0°	86
70.0°	68
75.0°	50
80.0°	30
85.0°	12
90.0°	0

Values in candela

### Zonal Lumen Summary

LED Module	Flux (lm)	Power (W)	Downlight Spacing (ft)	Average Illuminance (fcd)	Max/Min	LPD (W/sq ft)
DRD1S430 DRD1S630	755	13.0	4 x 4	47	1.44	0.79
			6 x 6	23	1.20	0.42
			8 x 8	12	1.40	0.20

Calculation Area: 50' (L) x 40' (W) x 10' (H)  
LLF 1.0, 80/50/20 Reflectance, 2.5' (H) Workplane  
Spacing Criteria: 1.22

### Zonal Lumen Summary

Zone	Lumens	Luminaire %
0-30	221	29
0-40	354	47
0-60	600	80
0-90	755	100
0-180	755	100



### DIMMER COMPATIBILITY

Recommended Phase-control Dimmers (Dims down to 10% nominal measured light output)

Brand	Series	Model Number	Max Load
Control 4	Control 4	C4-APD120	9
Cooper	Decorator	DLC03P, DAL06P	22
Leviton	Decora Sureslide	6615	23
	Vizia	VPE04-ILZ	29
	Vizia	VPE06-ILZ	44
Lutron	Ariadni	AYLV-600P, AYLV-603P	11
	Diva	DVELV-300P, DVELV-303P, DVSCELV-300P, DVSCELV-303P	23
	Maestro	MAELV-600, MAELV-600-S, MSCELV-600M	34
	Maestro Wireless	MRF2-6ND-120, MRF2-6ELV-120	11
	Radio RA2	RRD-6NA	34
	Skylark	S-600	11
	Skylark	S-1000	18
	Skylark	SELV-300	11
Phillips	Sunrise	SLV-600P, SLV-603P	11
		SR400RPC120	31

<sup>1</sup> Dimmer compatibility reflects performance compatibility only. Please reference your local codes for application.