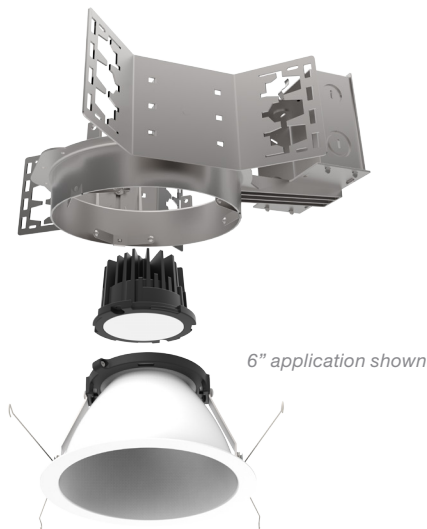


PRODUCT SPECIFICATIONS



- Versatile LED luminaire for 120/277V commercial applications
- Easy, tool-free installation, including Twist & Lock trim feature
- 1500, 2000 lumen outputs, powered by Cree 90+ CRI LEDs
- Available 2700K, 3000K, 3500K, 4000K CCT
- Flicker-free TRIAC/ELV, 0-10V or Lutron Hi-lume 1% dimming
- 50,000 hour lifetime (L70)
- 5 year limited warranty

Frame-in Kit

MOUNTING FRAME: Die-cast aluminum.

JUNCTION BOX: Galvanized steel. Equipped with (4) 1/2" and (2) 3/4" knockouts with pryout slots to allow straight conduit runs. Approved for 8 (four-in, four-out) #12 AWG 90 through wire conductors.

MOUNTING: Butterfly brackets adjust 4" vertically and accept 1/2" EMT, linear flat bars and "C" channels.

CEILING: 1/2" up to 1".

CUTOUT: 5 1/4" (4" frame-in kit), 7" (6" frame-in kit), 8 9/16" (8" frame-in kit).

Light Engine

LED: Next generation Cree® chip-on-board LED.

LUMEN OUTPUT (POWER): 1500 lm (19.5W), 2000 lm (29.0W).

COLOR QUALITY: 90+ CRI, 2-step SDCM.

CCT OPTIONS: 2700K, 3000K, 3500K, 4000K.

CONNECTOR: PowerPlug® Luminaire Disconnect Model 182.

INPUT VOLTAGE: 120/277V.

DIMMING: Down to less than 1% for 0-10V or Lutron Hi-lume® 1% at 120/277V.

EMERGENCY LIGHTING: Optional Emergency LED Driver for lighting up to 90 minutes in event of power failure.

LIFETIME: 50,000 hours at 70% lumen maintenance.

PHOTOMETRIC TESTING: Tested in accordance to IESNA LM-79-2008.

LISTINGS: cULus Listed. ENERGY STAR® qualified. UL Listed for Wet location. CEC listed.

WARRANTY: 5 year limited warranty.

Trim

CONSTRUCTION: Self flanged, spun aluminum reflector. Twist & Lock mounting allows easy tool-free field installation and tight ceiling fit.

FINISH: White, Alzak® low iridescent reflector with white flange.



Dimmable 50000 hrs lifetime Warranty UL listed for wet location Twist & lock

Product Code:		Type:	
Project:	Contact:	Date:	



PRODUCT SELECTION GUIDE

FRAME-IN KIT (Product Code Example: **DCDHN41150**)

PRODUCT CODE	APPLICATION	APERTURE	INPUT	DRIVER	OPTION
DCDH Housing	N New Construction	4 4" Aperture 6 6" Aperture 8 8" Aperture	1 120V 2 277V	150 0-10V, 1500 lm 200 0-10V, 2000 lm 15C Lutron LDE1 ¹ , 1500 lm 20C Lutron LDE1 ¹ , 2000 lm 15W Lutron L3DA3W ² , 1500 lm 20W Lutron L3DA3W ² , 2000 lm	[Blank] None EM Emergency Driver

MOUNTING

PRODUCT CODE

CC	Bar Hanger
LBH	Flat Bar Hanger 27"
LBH-24	Flat Bar Hanger 24"
CCA-16	Adjustable C-Channel 11" - 18"
CCA-24	Adjustable C-Channel 17" - 26"

LIGHT ENGINE (Product Code Example: **DCD1M15927A**)

PRODUCT CODE	LUMENS (WATTS)	CRI	CCT	CONSTRUCTION
DCD1M Module	15 1500 lm (19.5W) 20 2000 lm (29.0W)	9 90+ CRI	27 2700K 30 3000K 35 3500K 40 4000K	A Alternate Construction

TRIM (Product Code Example: **DCD2TR4SWH**)

PRODUCT CODE	SHAPE	APERTURE	STYLE	FINISH
DCD2T Trim	R Round	4 4" Aperture 6 6" Aperture 8 8" Aperture	S Smooth	WH White AZ Low Iridescent Reflector, White Flange CC Custom Color

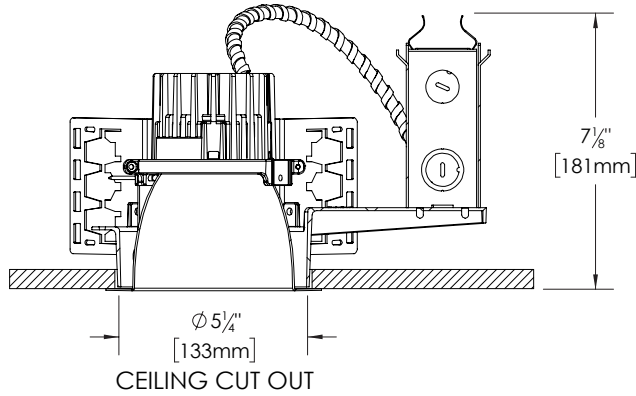
¹ Lutron LDE1 Dimming refers to Lutron Hi-lume 1% EcoSystem LED driver with Soft-on, Fade-to-Black™

² Lutron L3DAE Dimming refers to Lutron Hi-lume 1% 3-wire LED driver

FRAME-IN KIT DIMENSIONS

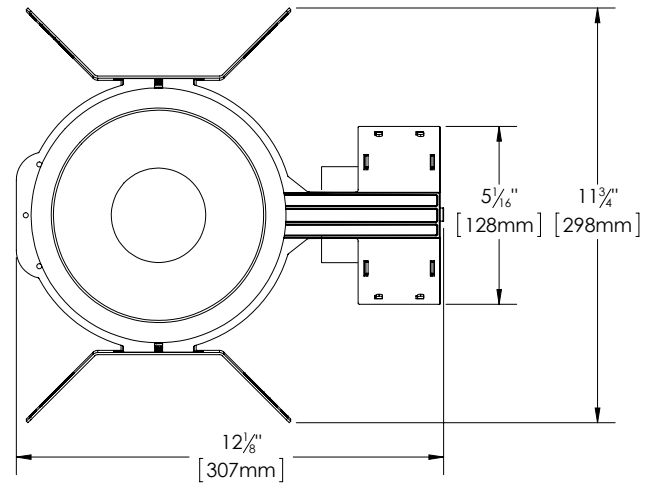
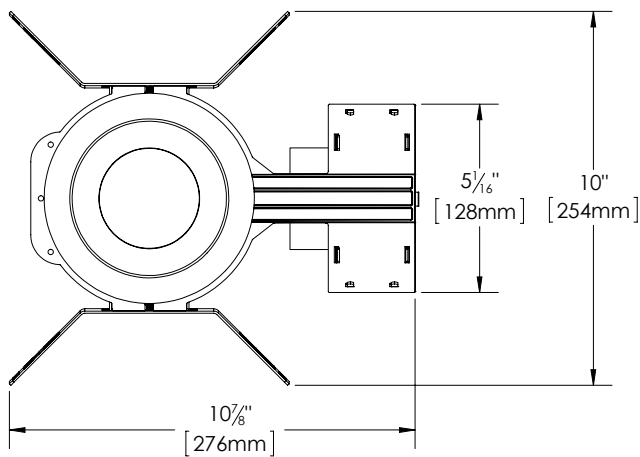
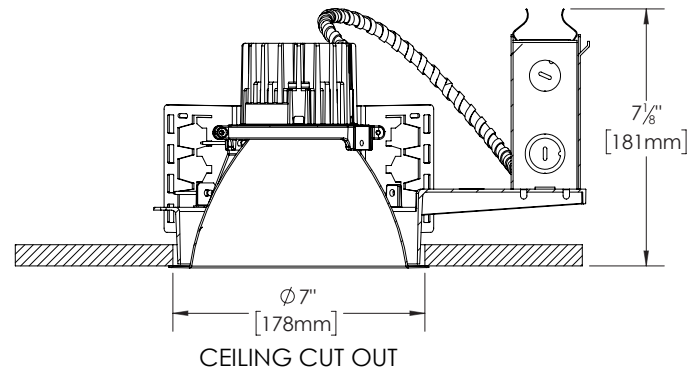
DCDHN4

4" Commercial New Construction
Frame-in Kit



DCDHN6

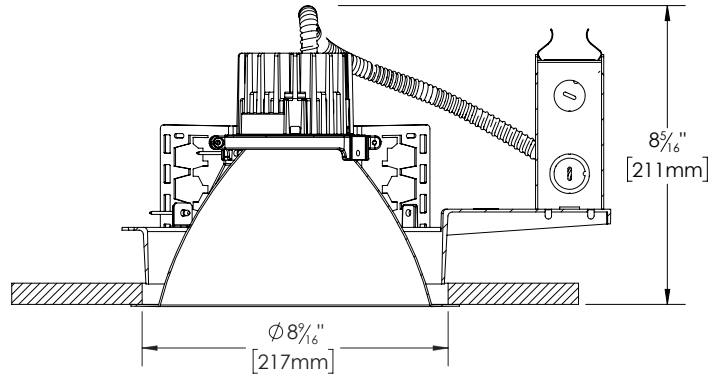
6" Commercial New Construction
Frame-in Kit



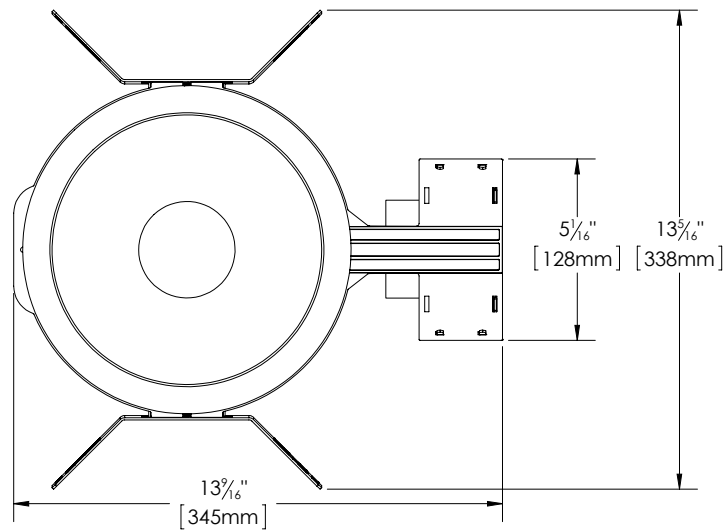
FRAME-IN KIT DIMENSIONS

DCDHN8

8" Commercial New Construction Frame-in Kit

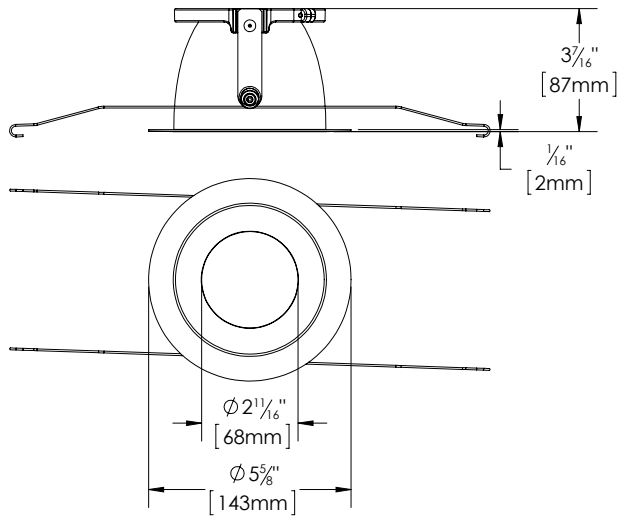


CEILING CUT OUT

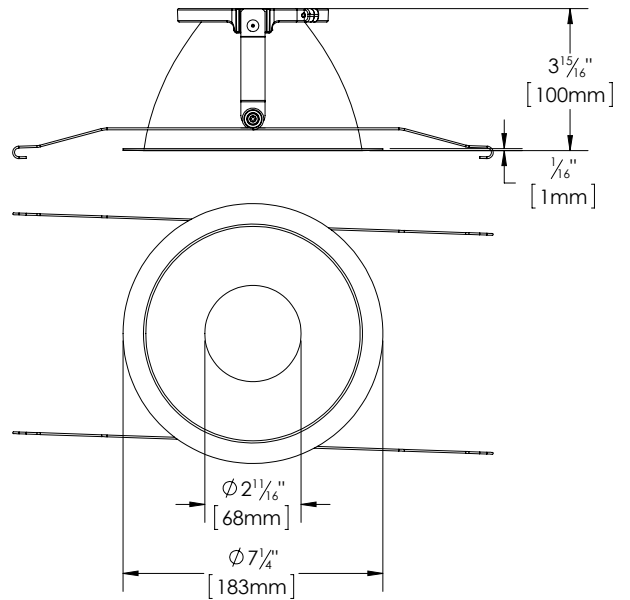


TRIM DIMENSIONS

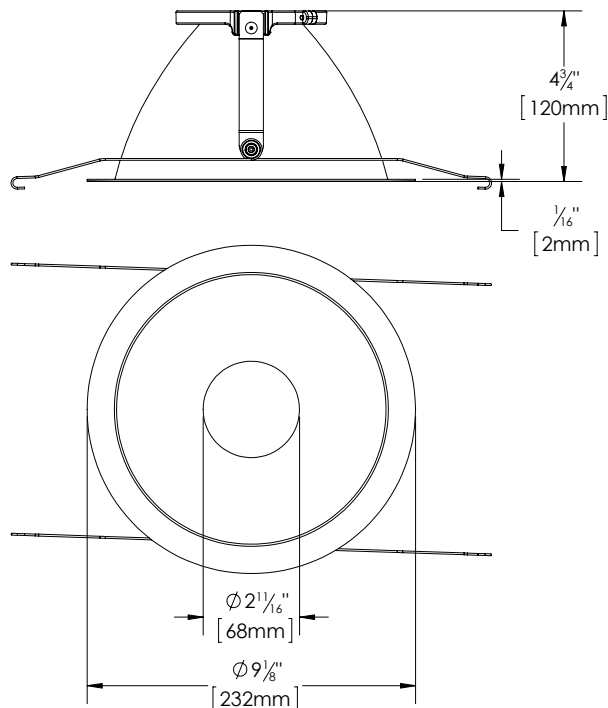
DCD2TR4
4" Commercial Trim



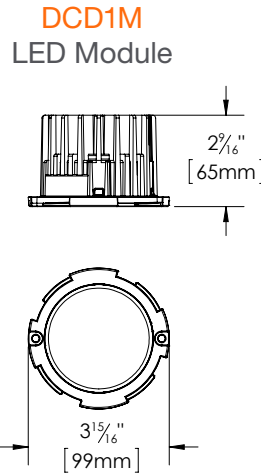
DCD2TR6
6" Commercial Trim



DCD2TR8
8" Commercial Trim



LIGHT ENGINE OVERVIEW

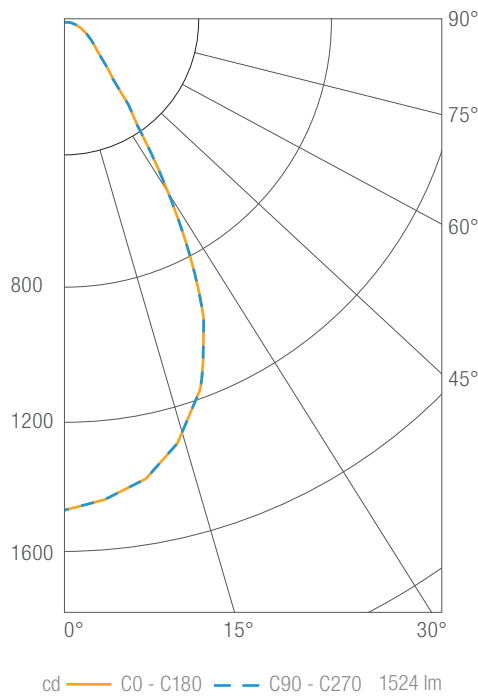


	DCD1M15	DCD1M20
Total Module Lumen Output (lm)	1500	2000
Total Rated Power (W)	19.5	29.0
Efficacy (lm/W)	77	69
Color Rendering Index	90+	
CCT Options	2700K, 3000K, 3500K, 4000K	
Optics	Flood	
Binning	2-step SDCM	
Lifetime (L70)	50,000 hours	
Max Ambient Operating Temperature	40°C	
Input Voltage (V)	38VDC (light engine), 120 or 277VAC (luminaire), 50/60Hz	
Input Current at 120V (Max)	0.26A	0.37A
Input Current at 277V (Max)	0.12A	0.16A
Power Factor	>0.9	
Total Harmonic Distortion	<20%	
Dimming	100% - 1% (0-10V, Lutron Hi-lume 1%)	

PHOTOMETRICS

Light Engine: **DCD1M15935A** (DCD1 Module, 1500 lm, 90 CRI, 3500K)

Trim: **DCD2TR6SWH** (DCD2 Trim, 6" Aperture, Smooth, White)



Luminous Intensity

Gamma	C 0°
0°	1470
5°	1443
10°	1398
15°	1312
20°	1186
25°	989
30°	678
35°	384
40°	228
45°	160
50°	122
55°	99
60°	79
65°	62
70°	47
75°	32
80°	18
85°	6
90°	1

Values in candela

Zonal Lumen Summary

Zone	Lumens	Luminaire %
0-30	942	62
0-40	1201	79
0-60	1419	93
0-90	1524	100
0-180	1524	100

Illuminance Chart

Distance from LED	Foot Candles	Diameter
3.0'	163	3.3'
6.0'	41	6.7'
9.0'	18	10'
12.0'	10	13.3'

Beam Angle: 58°

Light Engine: **DCD1M20935A** (DCD1 Module, 2000 lm, 90 CRI, 3000K)

Lumen Scaling

DCD1M15 (1500 lm)	DCD1M20 (2000 lm)
1.00	1.33

Light Engine: **DCD1M15927A, DCD1M15930A, DCD1M15940A**

CCT Scaling

DCD1M15927 (2700K)	DCD1M15930 (3000K)	DCD1M15935 (3500K)	DCD1M15940 (4000K)
0.93	1.00	1.00	1.07



DIMMER COMPATIBILITY

Recommended 0-10V Dimmers (Dims down to 1% nominal measured light output)

Brand	Series	Model Number	Max Load DCD1M15	Max Load DCD1M20
Legrand	Titan	CD4FB	97	71
Leviton	IllumaTech	IP710-DLZ	46	34
Lithonia	Synergy	ISD BC	46	34
Lutron	Diva	DVTV	73	54
	Nova	NFTV	110	78
	Nova	NTSTV-DV	105	76
Watt Stopper	Micro Decorator Style	DCLV1	135	95