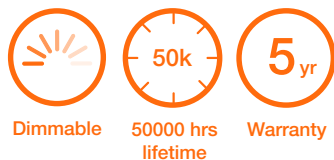


PRODUCT SPECIFICATIONS



- Slim, 2" aperture
- Versatile 13°, 28° and 45° beam spreads
- 900 lumen outputs
- 90+ CRI
- Flicker-free TRIAC/ELV or 0-10V dimming
- 50,000 hr lifetime at 70% lumen maintenance
- 5 year limited warranty



Frame-in Kit

MOUNTING FRAME: Available in IC and non-IC solutions. Includes tool free adjustable bar hangers suitable for 12" - 24" joist spacing and T-bar ceilings.

IC INSTALLATION: Junction box connected to mounting frame and requires access above ceiling.

NON-IC INSTALLATION: Junction box connected to light engine housing and accessible through ceiling cutout.

CEILING THICKNESS: ½" to 1".

CEILING CUTOUT: 2 7/8".

Light Engine

LED: Tightly binned, high performing white Cree® LED.

LUMEN OUTPUT (POWER): 900 lm (16.6W).

COLOR QUALITY: 90+ CRI, 2-step SDCM.

CCT: 2700K, 3000K, 3500K, 4000K.

OPTICS: Spot (13°), Narrow Flood (28°), Flood (45°).

HOUSING: Die-cast aluminum with black powder coating finish. Includes heatsink and driver compartment. Adjustable mounting clips with spring screws that can be tightened from below ceiling to secure housing in place.

CONNECTOR: PowerPlug® Luminaire Disconnect Model 182 (TRIAC/ELV), Model 102 (0-10V).

INPUT VOLTAGE: 120/277V.

DIMMING: Dimming down to less than 5% for TRIAC/ELV at 120V or 0-10V at 120/277V.

LIFETIME: 50,000 hours at 70% lumen maintenance.

PHOTOMETRIC TESTING: Tested in accordance to IESNA LM-79-2008.

LISTINGS: IC rated (IC model). cULus Listed. ENERGY STAR® qualified. California Title 24 2016 JA8 compliant. ASTM E283 certified Air Tight. UL Listed for Damp Location.

WARRANTY: 5 year limited warranty.

Trim

TRIM: Die-cast aluminum available in downlight or wall wash distributions. Ballcatch mounting allows for easy tool-free field installation and tight ceiling fit.

Product Code:		Type:	
Project:		Contact:	Date:



LD2

RECESSED LED DOWNLIGHT Architectural New Construction 2" Aperture

PRODUCT SELECTION GUIDE

FRAME-IN KIT (Product Code Example: **LD2NCI1**)

PRODUCT CODE	APPLICATION
LD2 Mounting Frame	NCI1 New Construction, IC, 120V NCI010 New Construction, IC, 120/277V with 0-10V Dimming NCN New Construction, Non-IC

LIGHT ENGINE (Product Code Example: **LD29927I13T1**)

PRODUCT CODE	LUMENS (WATTS)	CRI	CCT	INSTALLATION	BEAM	DRIVER
LD2 Module	9 900 lm (16.6W)	9 90+ CRI	27 2700K	I IC	13 13°	T1 TRIAC, 120V
			30 3000K	R Non-IC		1010 0-10V, 120V
			35 3500K		45 45°	2010 0-10V, 277V
			40 4000K			

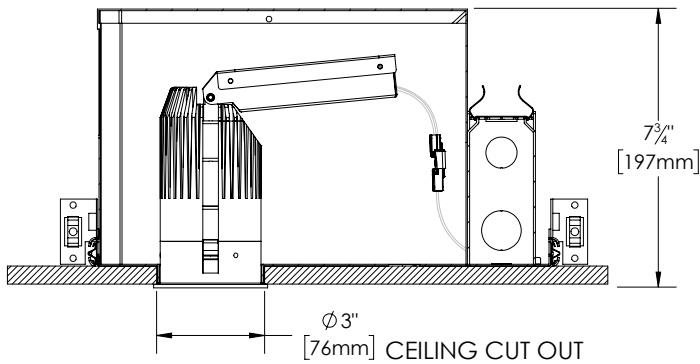
TRIM (Product Code Example: **LD2W**)

PRODUCT CODE	FINISH	STYLE
LD2 Trim	W White	[Blank] Smooth
	B Black	WW Wall Wash
	DW Diffused Silver Reflector w/ White Flange	

FRAME-IN KIT DIMENSIONS

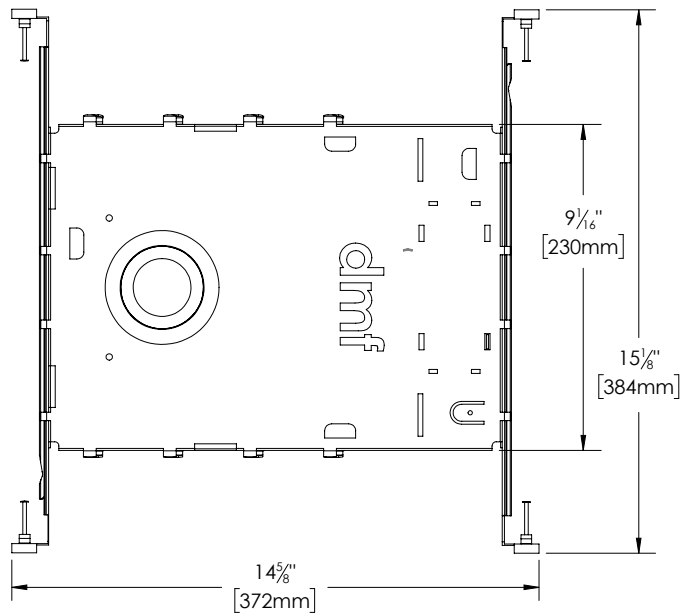
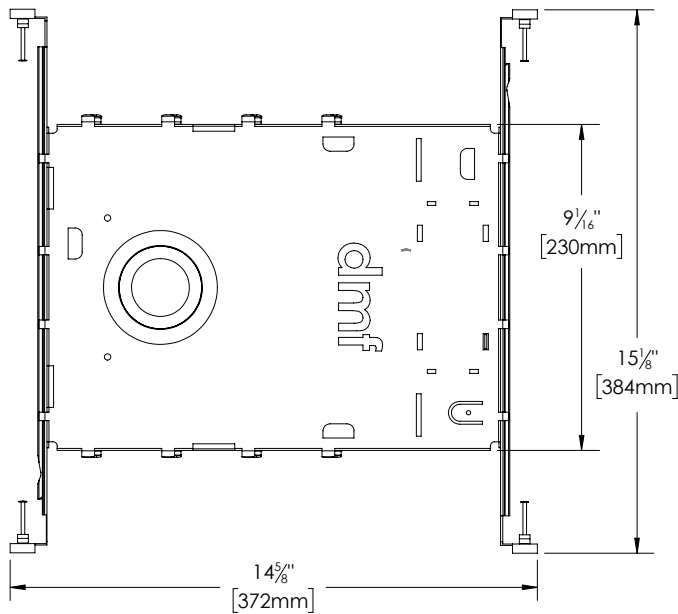
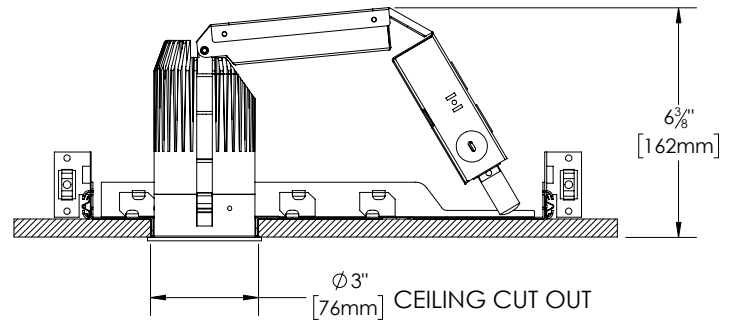
LD2NCI

IC New Construction Frame-in Kit
(access above ceiling is required)



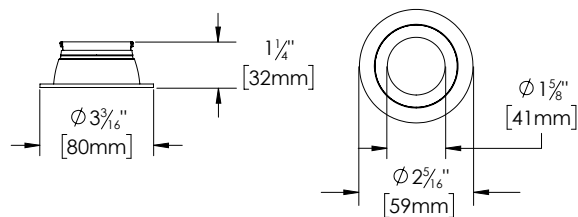
LD2NCN

Non-IC New Construction Frame-in Kit
(access above ceiling is not required)



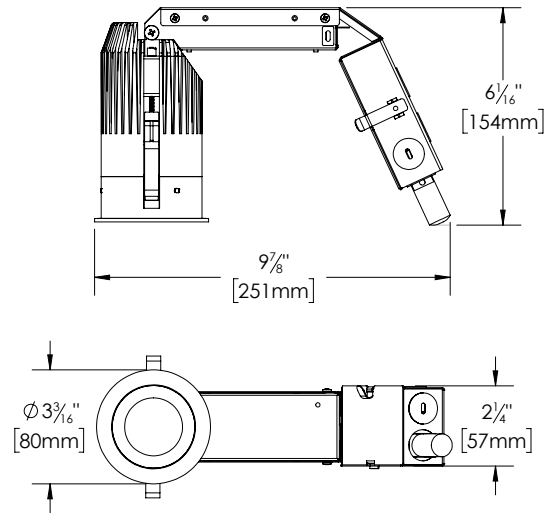
TRIM DIMENSIONS

LD2 Downlight Trim



LIGHT ENGINE OVERVIEW

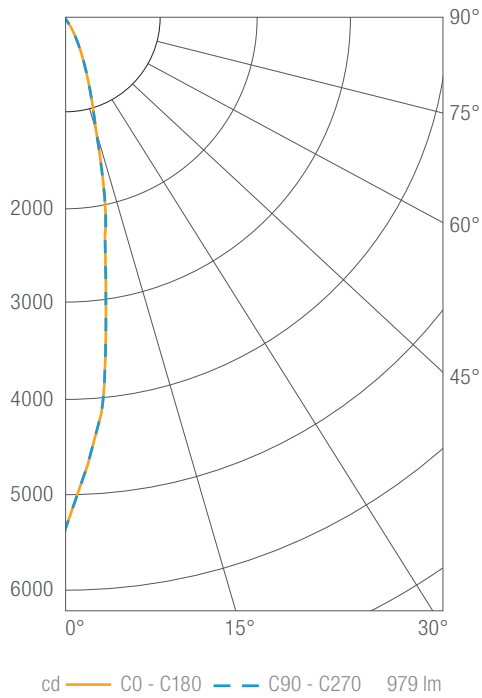
LD2
Light Engine



	LD2
Total Module Lumen Output (lm)	900
Total Rated Power (W)	16.6
Efficacy (lm/W)	54
Color Rendering Index	90+
CCT Options	2700K, 3000K, 3500K, 4000K
Optics	Spot, Narrow Flood, Flood
Binning	2-step SDCM
Lifetime (L70)	50,000 hours
Max Ambient Operating Temperature	40°C
Input Voltage (V)	120/277V, 50/60Hz
Input Current at 120V (Max)	0.143
Input Current at 277V (Max)	0.067
Power Factor	>0.9
Total Harmonic Distortion	<20%
Dimming	100% - 5%

PHOTOMETRICS

Light Engine: **LD29930I13T1** (LD2 Module, 900 lm, 90 CRI, 3000K, 13° Beam Spread)
Trim: **LD2W** (LD2 Trim, White)



Luminous Intensity

Gamma	C 0°
0°	5392
5°	4210
10°	2392
15°	1252
20°	720
25°	369
30°	124
35°	44
40°	23
45°	16
50°	15
55°	11
60°	10
65°	7
70°	6
75°	4
80°	2
85°	0
90°	1

Values in candela

Zonal Lumen Summary

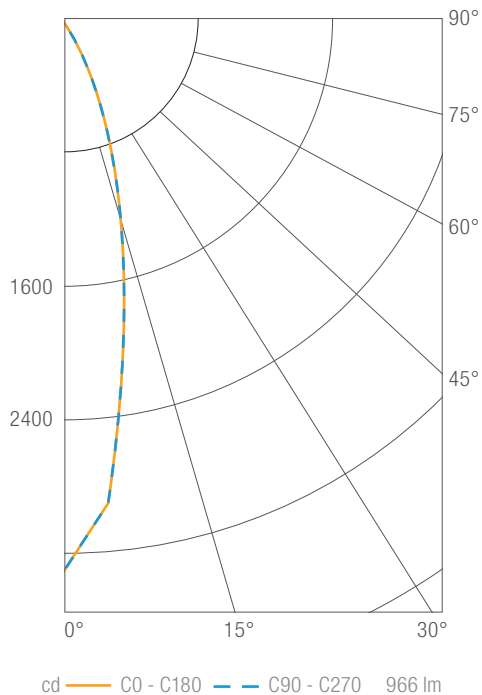
Zone	Lumens	Luminaire %
0-30	906	93
0-40	942	96
0-60	966	99
0-90	979	100
0-180	979	100

Illuminance Chart

Distance from LED	Foot Candles	Diameter
3.0'	599	1.0'
6.0'	150	1.9'
9.0'	67	2.9'
12.0'	37	3.8'

Beam Angle: 13°

Light Engine: **LD29930I28T1** (LD2 Module, 900 lm, 90 CRI, 3000K, 28° Beam Spread)
Trim: **LD2W** (LD2 Trim, White)



Luminous Intensity

Gamma	C 0°
0°	3319
5°	2910
10°	2131
15°	1394
20°	824
25°	427
30°	198
35°	77
40°	35
45°	24
50°	18
55°	15
60°	13
65°	10
70°	7
75°	4
80°	4
85°	1
90°	0

Values in candela

Zonal Lumen Summary

Zone	Lumens	Luminaire %
0-30	857	89
0-40	916	95
0-60	949	98
0-90	966	100
0-180	966	100

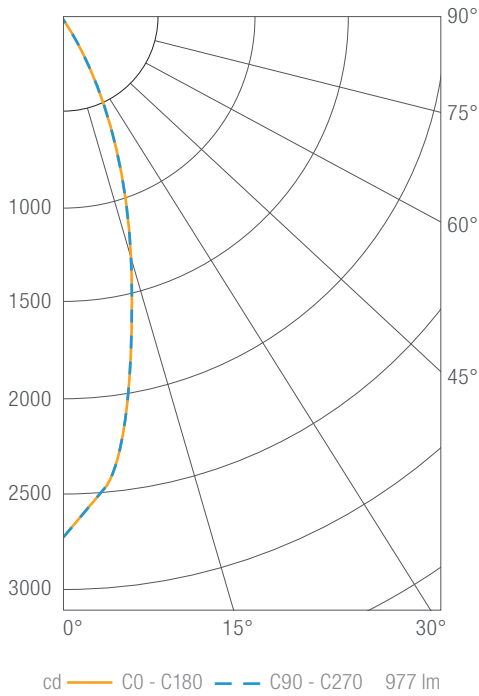
Illuminance Chart

Distance from LED	Foot Candles	Diameter
3.0'	369	1.4'
6.0'	92	2.8'
9.0'	41	4.2'
12.0'	23	5.6'

Beam Angle: 28°

PHOTOMETRICS

Light Engine: **LD29930I45T1** (LD2 Module, 900 lm, 90 CRI, 3000K, 45° Beam Spread)
Trim: **LD2W** (LD2 Trim, White)



Luminous Intensity

Gamma	C 0°
0°	2740
5°	2493
10°	1988
15°	1420
20°	900
25°	490
30°	230
35°	91
40°	42
45°	28
50°	21
55°	16
60°	13
65°	12
70°	7
75°	5
80°	2
85°	1
90°	0

Values in candela

Zonal Lumen Summary

Zone	Lumens	Luminaire %
0-30	853	87
0-40	922	94
0-60	960	98
0-90	977	100
0-180	977	100

Illuminance Chart

Distance from LED	Foot Candles	Diameter
3.0'	304	1.7'
6.0'	76	3.3'
9.0'	34	5.0'
12.0'	19	6.6'

Beam Angle: 45°

Light Engine: **LD29927, LD29935, LD29940**
Trim: **LD2W** (LD2 Trim, White)

CCT Scaling

LD29927 (2700K)	LD29930 (3000K)	LD29935 (3500K)	LD29940 (4000K)
0.93	1.00	1.00	1.07

**DIMMER COMPATIBILITY****Recommended Phase-control Dimmers** (Dims down to 5% nominal measured light output)

Brand	Series	Model Number	Max Load
Cooper	Decorator	DLC03P	6
	Decorator	DAL06P	5
Legrand	Adorne	ADTP703TU	8
Lutron	CL Series	DVCL-153	2
	CL Series	DVCL-253	4
	Maestro Wireless	MRF2-6ND	5
	Radio RA	RRD-6NA	5
	Grafik Sys / Homeworks	RPM-4A	5
	Grafik Sys / Homeworks	RPM-4U	7
	Grafik Eye 3000	QSGR-3P	14
Watt Stopper	Dimming Sensor	PW-100D	15

Recommended 0-10V Dimmers (Dims down to 5% nominal measured light output)

Brand	Series	Model Number	Max Load
Legrand	Titan	CD4FB	50
Leviton	IllumaTech	IP710-DLZ	24
Lithonia	Synergy	ISD BC	24
Lutron	Diva	DVTV	39
	Nova	NFTV, NTSTV-DV	38
	PowPak	RMJ-5T-DV	38
Watt Stopper	Micro Decorator Style	DCLV1	48

**DIMMER COMPATIBILITY**Compatible Phase-control Dimmers¹ (Dims down to 20% nominal measured light output)

Brand	Series	Model Number	Max Load
Cooper	Aspire	9573	5
Leviton	IllumaTech Slide	IPE04	5
	IllumaTech Slide	IPE06	2
	SureSlide	6621	2
	SureSlide	6631, 6674	5
	Vizia	VPE04	7
	Vizia	VPE06	10
Lightolier	Sunrise	ZP260QEW	4
Lutron	Caseta	PD-6WCL	5
	Diva	DV-600	5
	Diva ELV	DVELV-300	5
	Maestro	MA-600	5
	Maestro CL	MACL-153M, MSCL-OP153M	5
	Maestro ELV	MAELV-600	7
	Radio RA	RRD-6CL	5
	Skylark	S-600P	2
	Skylark	S-1000	4
	Skylark Contour	CT-103P	4
Skylark ELV	SELV-300	5	
Philips	Sunrise	SR400RPC120	5
Watt Stopper	Digital Light Management	LMRC-221	142

¹ Dimmer compatibility reflects performance compatibility only. Please reference your local codes for application.