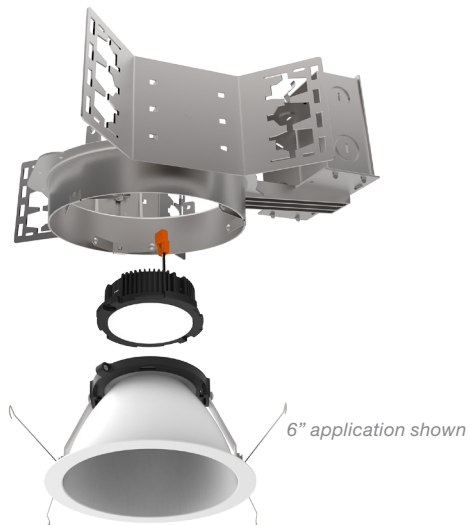


PRODUCT SPECIFICATIONS



- Maximum installation compatibility
- Easy, tool-free installation, including Twist & Lock trim feature
- 750 & 1000 lumen outputs
- 2700K, 3000K, 3500K, 4000K CCT
- Flicker-free TRIAC/ELV, 0-10V or Lutron Hi-lume 1% dimming
- 50,000 hr lifetime at 70% lumen maintenance
- 5 year limited warranty

Dimmable

50000 hrs lifetime

Warranty

UL listed for wet location

Twist & lock

Frame-in Kit

MOUNTING FRAME: Die-cast aluminum.

JUNCTION BOX: Galvanized steel. Equipped with (4) 1/2" and (2) 3/4" knockouts with pryout slots to allow straight conduit runs. Approved for 8 (four-in, four-out) #12 AWG 90 through wire conductors.

MOUNTING: Butterfly brackets adjust 4" vertically and accept 1/2" EMT, linear flat bars and "C" channels.

CEILING: 1/2" up to 1".

CUTOUT: 5 1/4" (4" frame-in kit), 7" (6" frame-in kit), 8 5/16" (8" frame-in kit).

Light Engine

LED: Tightly binned, high performing white Cree® LED.

LUMEN OUTPUT (POWER): 750 lm (11.8W), 1000 lm (14.7W).

COLOR QUALITY: 93+ CRI, 2-step SDCM.

CCT OPTIONS: 2700K, 3000K, 3500K, 4000K.

CONNECTOR: PowerPlug® Luminaire Disconnect Model 182 (TRIAC/ELV), Model 102 (0-10V, Lutron Hi-lume® 1% and/or emergency lighting).

INPUT VOLTAGE: 120/277V.

DIMMING: Down to less than 5% for TRIAC/ELV at 120V or 0-10V at 120/277V. Down to less than 1% for Lutron Hi-lume® 1% at 120/277V.

EMERGENCY LIGHTING: Optional Emergency LED Driver for lighting up to 90 minutes in event of power failure.

LIFETIME: 50,000 hours at 70% lumen maintenance.

PHOTOMETRIC TESTING: Tested in accordance to IESNA LM-79-2008.

LISTINGS: cULus Listed. ENERGY STAR® qualified. UL Listed for Wet Location. CEC listed.

WARRANTY: 5 year limited warranty.

Trim

CONSTRUCTION: Self flanged, spun aluminum reflector. Twist & Lock mounting allows easy tool-free installation and tight ceiling fit.

FINISHES: White or Alzak® low iridescent reflector with white flange.

Product Code:	Type:		
Project:	Contact:	Date:	



PRODUCT SELECTION GUIDE

FRAME-IN KIT (Product Code Example: **DCDHN4**)

PRODUCT CODE	APPLICATION	APERTURE	DRIVER	OPTION
DCDH Housing	N New Construction	4 4" Aperture	[Blank] Integrated TRIAC/ELV	[Blank] None
		6 6" Aperture	7O 0-10V, 750 lm	EM Emergency Driver <i>Only available for 0-10V and Lutron Hi-Lume 1% driver</i>
		8 8" Aperture	10O 0-10V, 1000 lm	
		7C Lutron LDE1 ¹ , 750 lm		
10C Lutron LDE1 ¹ , 1000 lm				
			7W Lutron L3DA3W ² , 750 lm	
			10W Lutron L3DA3W ² , 1000 lm	

MOUNTING

PRODUCT CODE

CC	Bar Hanger
LBH	Flat Bar Hanger 27"
LBH-24	Flat Bar Hanger 24"
CCA-16	Adjustable C-Channel 11" - 18"
CCA-24	Adjustable C-Channel 17" - 26"

LIGHT ENGINE (Product Code Example: **DRD2M7927**)

PRODUCT CODE	LUMENS (WATTS)	CRI	CCT	DRIVER
DRD2M Module	7 750 lm (11.8W)	9 93+ CRI	27 2700K	[Blank] Integrated TRIAC/ELV
			30 3000K	
	35 3500K			
	40 4000K			
	10 1000 lm (14.7W)		A Alternate Dimming <i>Must be selected if 0-10V, Lutron Hi-Lume 1% or EM driver is selected for frame-in kit driver</i>	

TRIM (Product Code Example: **DCD2TR4SWH**)

PRODUCT CODE	SHAPE	APERTURE	STYLE	FINISH
DCD2T Trim	R Round	4 4" Aperture	S Smooth	WH White
		6 6" Aperture		AZ Low Iridescent Reflector, White Flange
		8 8" Aperture		CC Custom Color

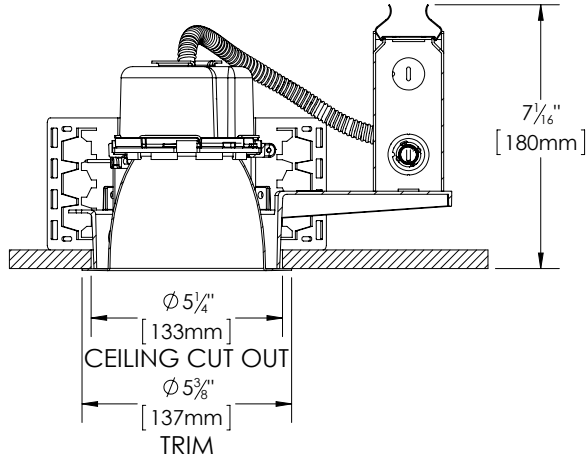
¹ Lutron LDE1 Dimming refers to Lutron Hi-lume 1% EcoSystem LED driver with Soft-on, Fade-to-Black™

² Lutron L3DAE Dimming refers to Lutron Hi-lume 1% 3-wire LED driver

FRAME-IN KIT DIMENSIONS

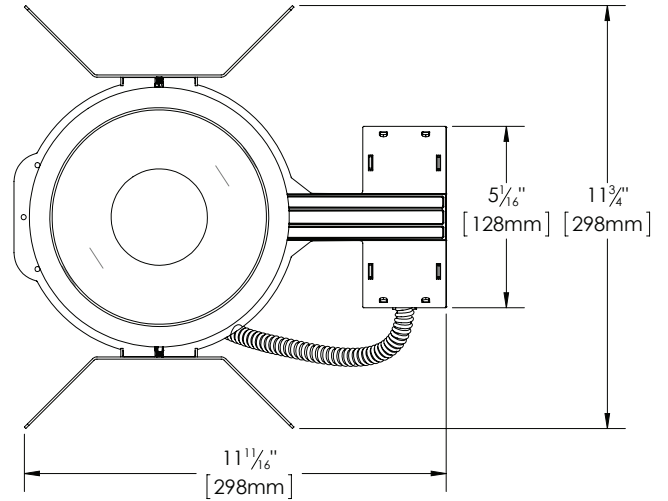
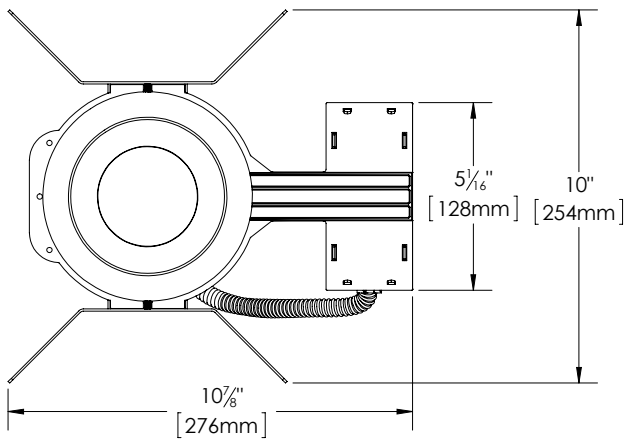
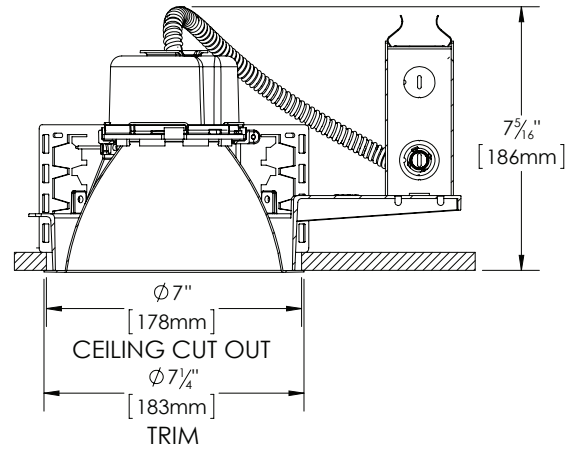
DCDHN4

4" Commercial New Construction
Frame-in Kit



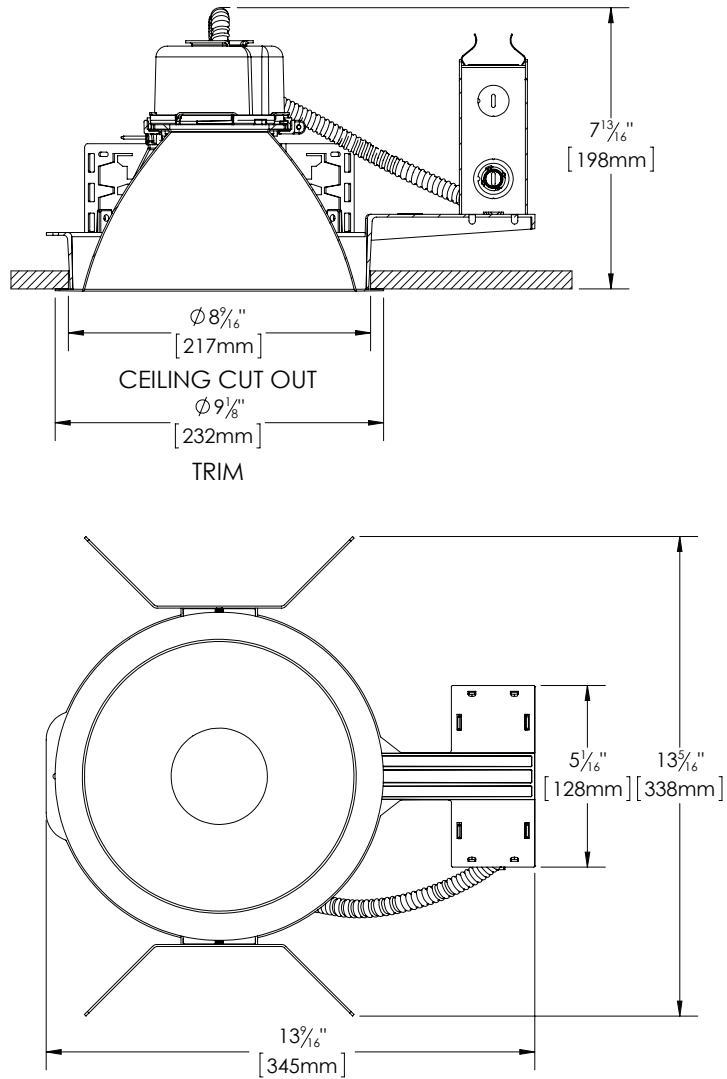
DCDHN6

6" Commercial New Construction
Frame-in Kit



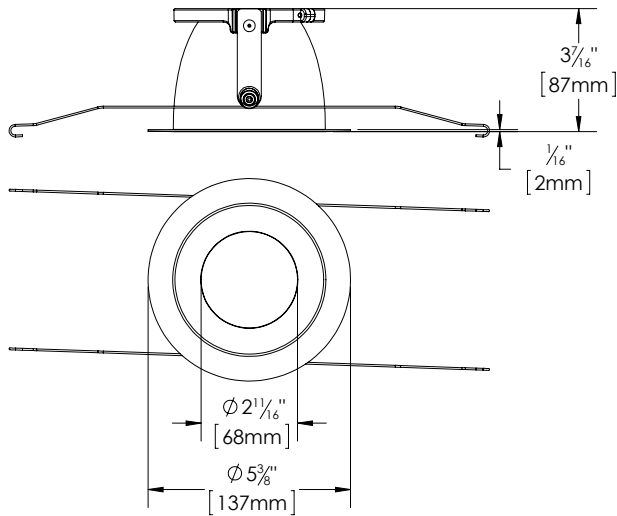
FRAME-IN KIT DIMENSIONS

DCDHN8
8" Commercial New Construction
Frame-in Kit

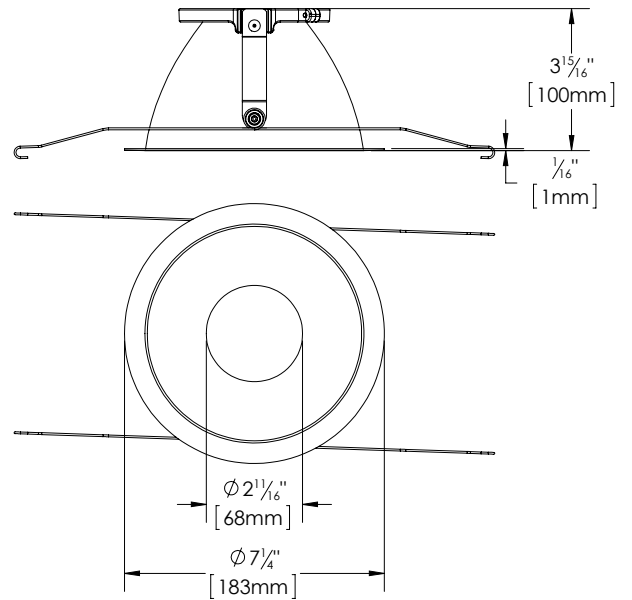


TRIM DIMENSIONS

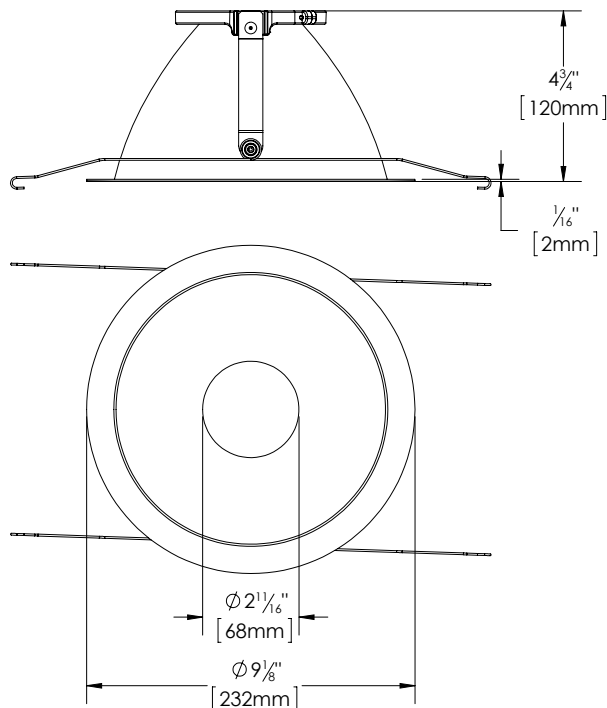
DCD2TR4
4" Commercial Trim



DCD2TR6
6" Commercial Trim

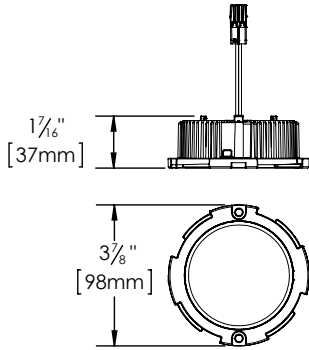


DCD2TR8
8" Commercial Trim



LIGHT ENGINE OVERVIEW

DRD2M
LED Module

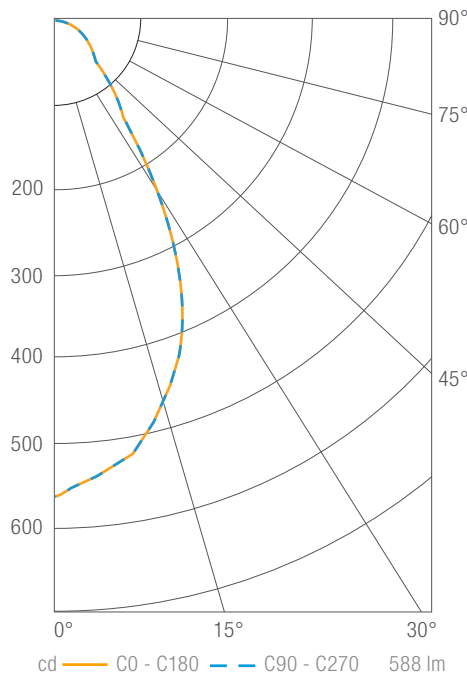


	DRD2M7	DRD2M10
Total Module Lumen Output (lm)	750	1000
Total Rated Power (W)	11.8	14.7
Efficacy (lm/W)	64	68
Color Rendering Index	93+	
CCT Options	2700K, 3000K, 3500K, 4000K	
Optics	Flood	
Binning	2-step SDCM	
Lifetime (L70)	50,000 hours	
Max Ambient Operating Temperature	40°C	
Input Voltage (V)	120/277V, 50/60Hz	
Input Current at 120V (Max)	0.10A	0.13A
Input Current at 277V (Max)	0.042A	0.053A
Power Factor	>0.9	
Total Harmonic Distortion	<20%	
Dimming	100% - 5%	

PHOTOMETRICS

Light Engine: **DRD2M7935** (DRD2 Module, 750 lm, 93 CRI, 3500K)

Trim: **DCD2TR6SWH** (DCD2 Trim, 6" Aperture, Smooth, White)



Luminous Intensity

Gamma	C 0°
0°	960
5°	924
10°	888
15°	812
20°	723
25°	585
30°	396
35°	239
40°	176
45°	113
50°	96
55°	80
60°	66
65°	53
70°	41
75°	30
80°	20
85°	12
90°	4

Values in candela

Zonal Lumen Summary

Zone	Lumens	Luminaire %
0-30	338	57
0-40	433	74
0-60	531	90
0-90	588	100
0-180	588	100

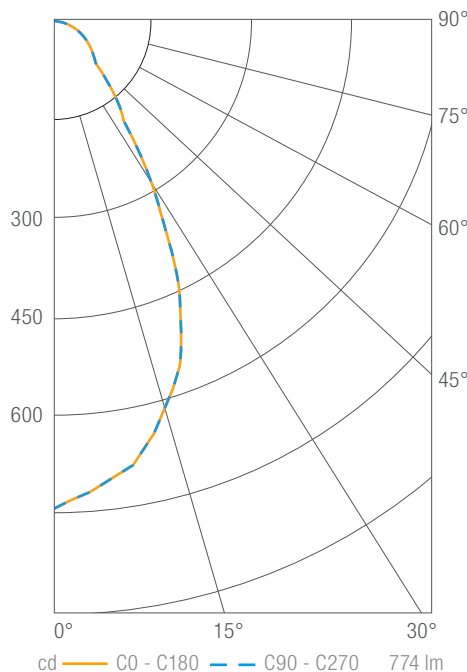
Illuminance Chart

Distance from LED	Foot Candles	Diameter
2.5'	63	4.9'
5.0'	16	10.0'
7.5'	7	14.7'
9.0'	5	17.6'

Beam Angle: 88°

Light Engine: **DRD2M10935** (DRD2 Module, 1000 lm, 93 CRI, 3500K)

Trim: **DCD2TR6SWH** (DCD2 Trim, 6" Aperture, Smooth, White)



Luminous Intensity

Gamma	C 0°
0°	960
5°	924
10°	888
15°	812
20°	723
25°	585
30°	396
35°	239
40°	176
45°	113
50°	96
55°	80
60°	66
65°	53
70°	41
75°	30
80°	20
85°	12
90°	4

Values in candela

Zonal Lumen Summary

Zone	Lumens	Luminaire %
0-30	444	57
0-40	570	74
0-60	699	90
0-90	774	100
0-180	774	100

Illuminance Chart

Distance from LED	Foot Candles	Diameter
2.5'	89	4.9'
5.0'	22	9.7'
7.5'	10	14.6'
9.0'	7	17.5'

Beam Angle: 88°

**DIMMER COMPATIBILITY****Recommended Phase-control Dimmers** (Dims down to 5% nominal measured light output)

Brand	Series	Model Number	Max Load DRD2M7	Max Load DRD2M10
Control 4	Control 4	C4-APD120	10	9
Cooper	Decorator	DLC03P, DAL06P	25	20
Legrand	Adorne	ADTP703TU	35	30
Lutron	Caseta	PD-6WCL	12	10
	CL Series	AYCL-153, CTCL-153, DVCL-153, LGCL-513, SCL-153, TGCL-513	12	10
	CL Series	AYCL-253, DVCL-253	20	15
	Grafik Eye 3000	QSGR-3P	30	25
	Grafik Sys / Homeworks	RPM-4U	30	25
	Grafik Sys / Homeworks	RPM-4A	25	20
	Maestro CL	MACL-153M, MSCL-OP153M, MSCL-VP153M	12	10
Maestro Wireless	MRF2-6ELV, MRF2-6CL	12	10	

Compatible Phase-control Dimmers¹ (Dims down to 20% nominal measured light output)

Brand	Series	Model Number	Max Load DRD2M7	Max Load DRD2M10
Cooper	Slide	SLC03P, SAL06P	25	20
Legrand	Harmony	H703PTU, HCL453P	30	25
Leviton	IllumaTech Slide	IPE04	25	20
	SureSlide	6621, 6674	10	10
Lutron	Diva	DV-600	12	10
	Maestro	MA-600	12	9
	Maestro ELV	MAELV-600, MSCELV-600	35	30
	Maestro Wireless	MRF2-6ND	12	10
	Radio RA	RRD-6NA, RRD-6CL, RRD-6D	12	10
	Power Booster	PHPM-PA, PHPM-WBX	25	20
	Sunrise	SR400RPC120, ZP260QEW	20	15
Watt Stopper	Digital Light Management	LMRC-221	160	150
	Dimming Sensor	PW-100D	14	12

¹ Dimmer compatibility reflects performance compatibility only. Please reference your local codes for application.