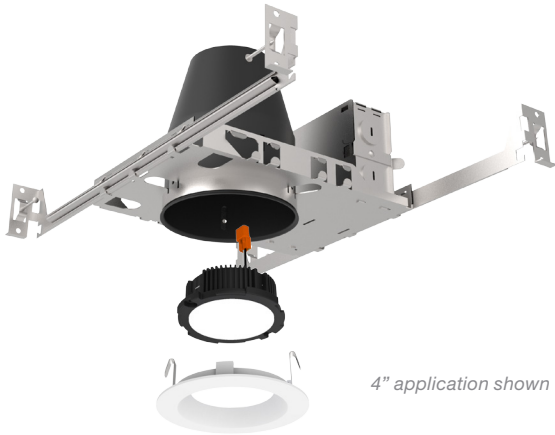


PRODUCT SPECIFICATIONS



- Maximum installation compatibility
- Easy, tool-free installation, including Twist & Lock trim feature
- 750 & 1000 lumen outputs
- 2700K, 3000K, 3500K, 4000K CCT
- Flicker-free TRIAC/ELV, 0-10V or Lutron Hi-lume 1% dimming
- 50,000 hr lifetime at 70% lumen maintenance
- 5 year limited warranty



Frame-in Kit

HOUSING: 18 ga. die-formed aluminum box fastened to 22 ga. steel mounting frame (4" frame-in kit, 4" shallow frame-in kit), 20 ga. die-formed aluminum (5" frame-in kit), 22 ga. die-formed aluminum (6" frame-in kit), 20 ga. die-formed aluminum (6" shallow frame-in kit).

JUNCTION BOX: Galvanized steel. Equipped with (6) 1/2" and (1) 3/4" knockouts with pryout slots to allow straight conduit runs. (4) knockouts for non-metallic sheathed cable installation. Junction box tension spring allows snap-in installation of plate cover for easy access to wiring. Approved for 8 (four-in, four-out) #12 AWG 90 through wire conductors.

MOUNTING: Pre-installed adjustable bar hangers engineered to accommodate lumber, laminated beams and T-bar.

CEILING: 1/2" up to 1".

CUTOUT: 4 3/8" (4" frame-in kit, 4" shallow frame-in kit), 5 3/4" (5" frame-in kit), 6 3/8" (6" frame-in kit, 6" shallow frame-in kit).

Light Engine

LED: Tightly binned, high performing white Cree® LED.

LUMEN OUTPUT (POWER): 750 lm (11.8W), 1000 lm (14.7W).

COLOR QUALITY: 93+ CRI, 2-step SDCM.

CCT OPTIONS: 2700K, 3000K, 3500K, 4000K.

CONNECTOR: PowerPlug® Luminaire Disconnect Model 182 (TRIAC/ELV), Model 102 (0-10V, Lutron Hi-lume® 1% and/or emergency lighting).

INPUT VOLTAGE: 120/277V.

DIMMING: Down to less than 5% for TRIAC/ELV at 120V or 0-10V at 120/277V. Down to less than 1% for Lutron Hi-lume® 1% at 120/277V.

EMERGENCY LIGHTING: Optional Emergency LED Driver for lighting up to 90 minutes in event of power failure.

LIFETIME: 50,000 hours at 70% lumen maintenance.

PHOTOMETRIC TESTING: Tested in accordance to IESNA LM-79-2008.

LISTINGS: IC rated. cULus Listed. ENERGY STAR® qualified. California Title 24 JA8 compliant. ASTM E283 certified Air Tight. UL Listed for Wet Location. CEC listed.

WARRANTY: 5 year limited warranty.

Trim

CONSTRUCTION: Die-cast aluminum. Twist & Lock mounting allows easy tool-free field installation and tight ceiling fit.

Product Code:	Type:	
Project:	Contact:	Date:



PRODUCT SELECTION GUIDE

FRAME-IN KIT (Product Code Example: **DRDHNIC4**)

PRODUCT CODE	APPLICATION	IC/NON-IC	APERTURE	DRIVER	OPTION
DRDH Housing	N New Construction	IC Insulation Contact	4 4" Aperture 4S 4" Shallow <i>Not compatible with Lutron Hi-Lume 1% driver</i>	[Blank] Integrated TRIAC/ELV 70 0-10V, 750 lm 100 0-10V, 1000 lm 7C Lutron LDE1 ¹ , 750 lm 10C Lutron LDE1 ¹ , 1000 lm 7W Lutron L3DA3W ² , 750 lm 10W Lutron L3DA3W ² , 1000 lm	[Blank] None EM Emergency Driver <i>Only available for 0-10V and Lutron Hi-Lume 1% driver</i>
			5 5" Aperture		
			6 6" Aperture		
			6S 6" Shallow		

LIGHT ENGINE (Product Code Example: **DRD2M7927**)

PRODUCT CODE	LUMENS (WATTS)	CRI	CCT	DRIVER
DRD2M Module	7 750 lm (11.8W) 10 1000 lm (14.7W)	9 93+ CRI	27 2700K 30 3000K 35 3500K 40 4000K	[Blank] Integrated TRIAC/ELV A Alternate Dimming <i>Must be selected if 0-10V, Lutron Hi-Lume 1% or EM driver is selected for frame-in kit driver</i>

TRIM (Product Code Example: **DRD2TR4SWH**)

PRODUCT CODE	SHAPE	APERTURE	STYLE	FINISH	OPTION
DRD2T Trim	R Round S Square <i>Only available in 4" aperture, smooth style</i> D Deep <i>Only available in 6" aperture; smooth or baffle style; white, low iridescent or custom finish</i>	4 4" Aperture 5 5" Aperture 6 6" Aperture	S Smooth B Baffle W Wall Wash <i>Only available in white finish</i>	WH White BK Black SW Silver Reflector, White Flange AZ Low Iridescent Reflector, White Flange <i>Only available in deep shape</i> CC Custom Color	[Blank] None DF Dead Front <i>Only available in round shape, 4" aperture, smooth style; Compatible with 750 lm light engine only</i>

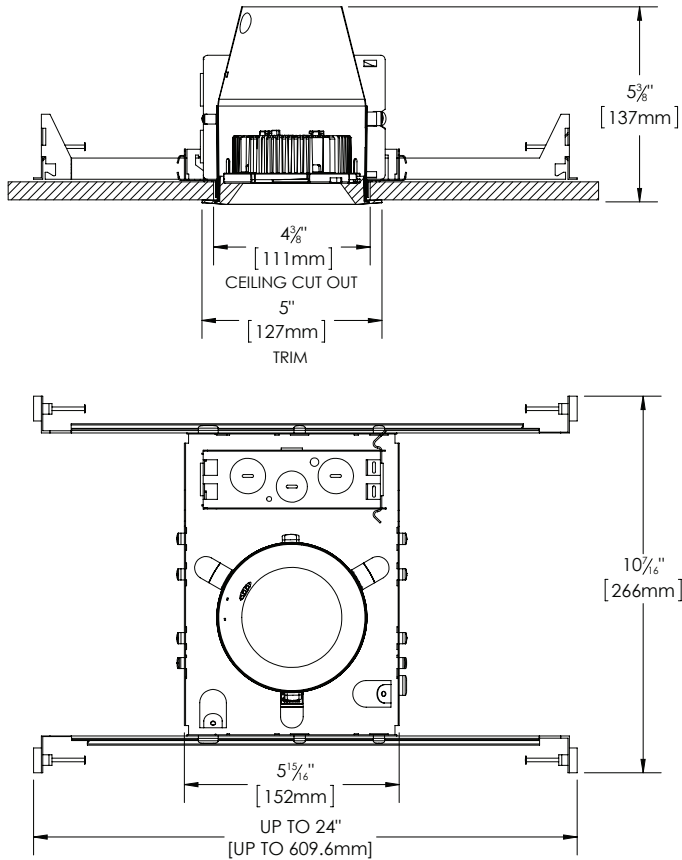
¹ Lutron LDE1 Dimming refers to Lutron Hi-lume 1% EcoSystem LED driver with Soft-on, Fade-to-Black™

² Lutron L3DAE Dimming refers to Lutron Hi-lume 1% 3-wire LED driver

FRAME-IN KIT DIMENSIONS

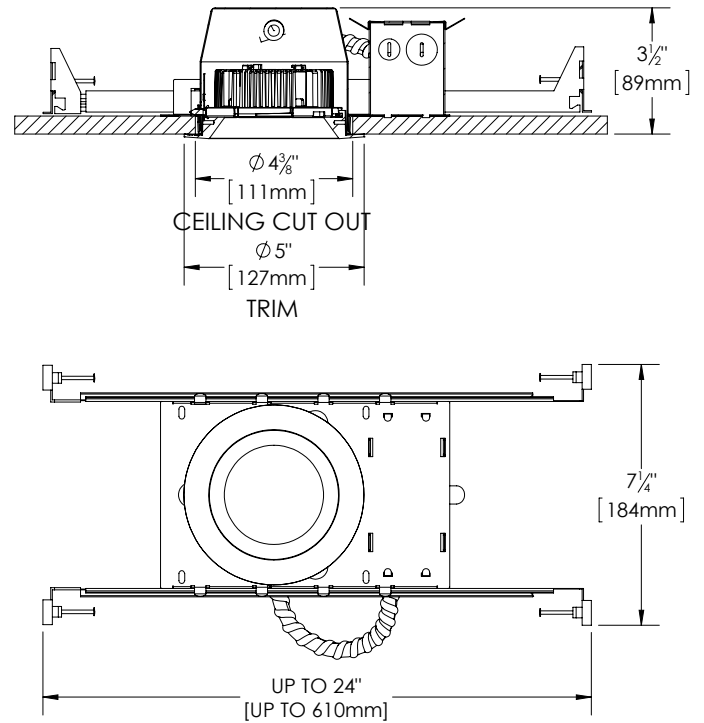
DRDHNIC4

4" New Construction IC Frame-in Kit



DRDHNIC4S

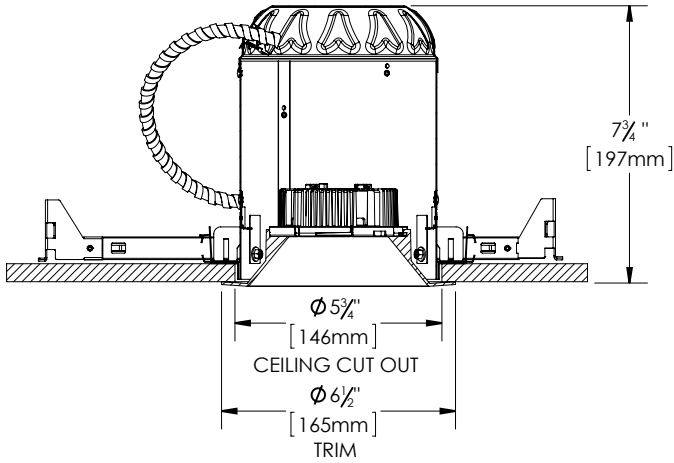
4" Shallow New Construction IC Frame-in Kit



FRAME-IN KIT DIMENSIONS

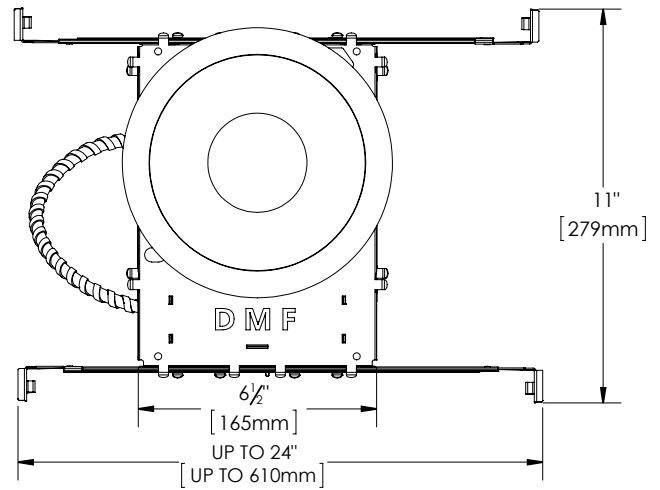
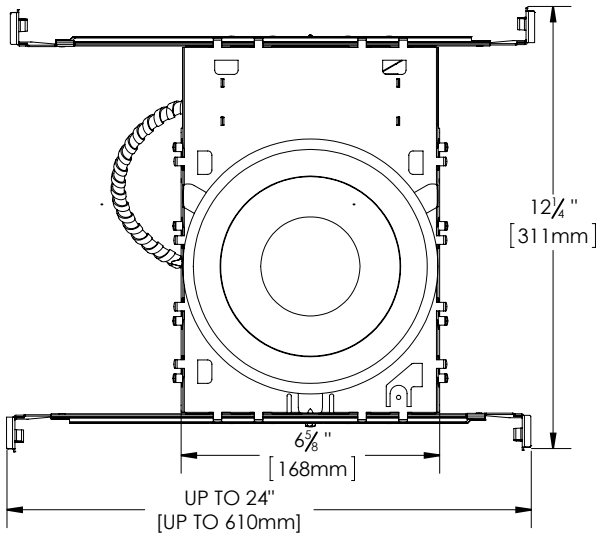
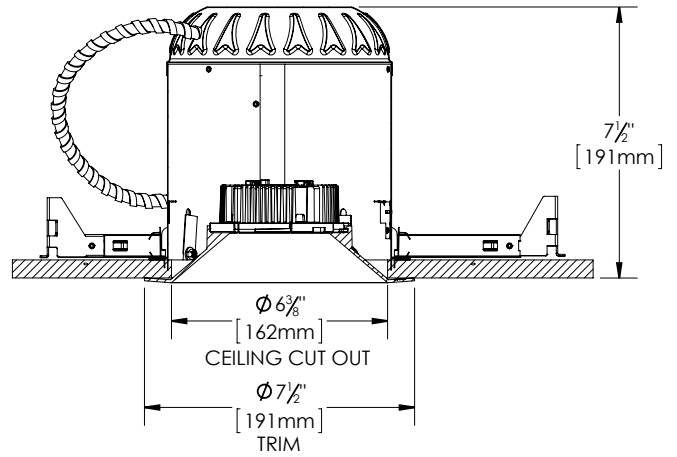
DRDHNIC5

5" New Construction IC Frame-in Kit



DRDHNIC6

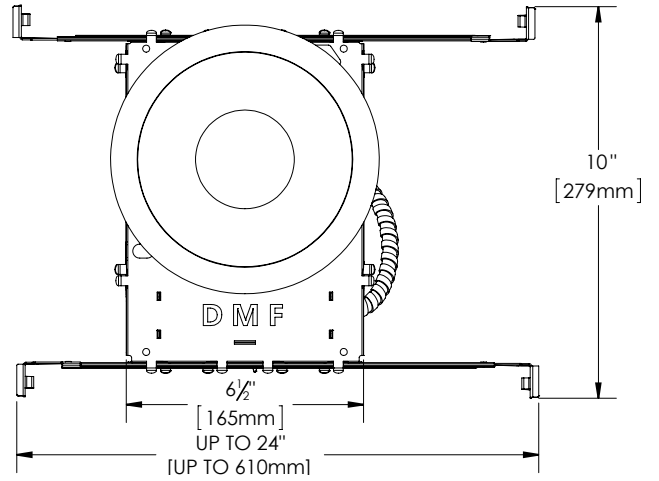
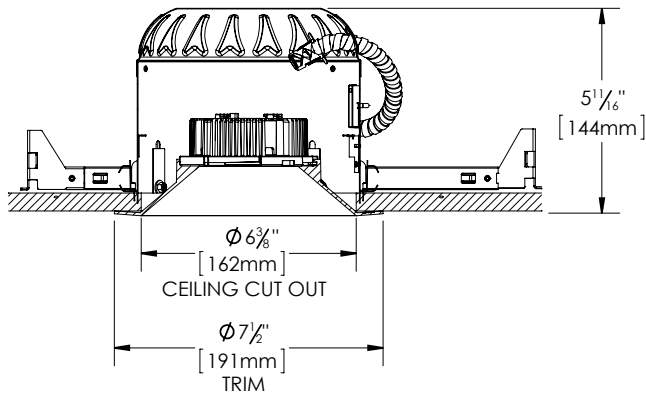
6" New Construction IC Frame-in Kit



FRAME-IN KIT DIMENSIONS

DRDHNIC6S

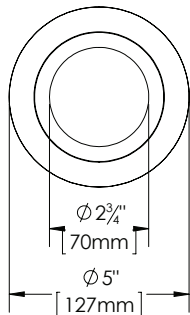
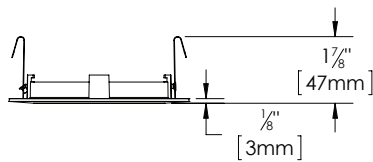
6" Shallow New Construction IC Frame-in Kit



TRIM DIMENSIONS

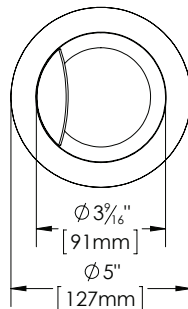
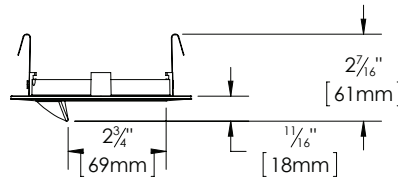
DRD2TR4

4" Round Trim



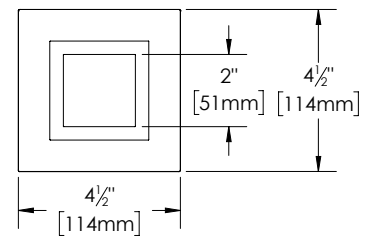
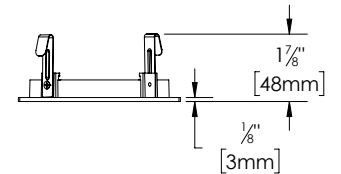
DRD2TR4W

4" Wall Wash Trim



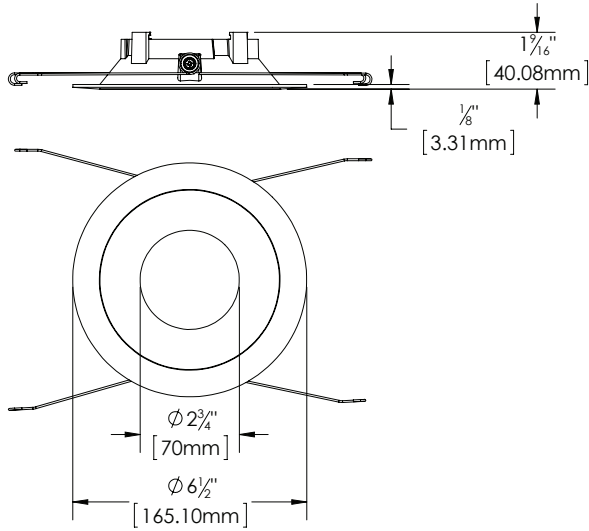
DRD2TS4

4" Square Trim

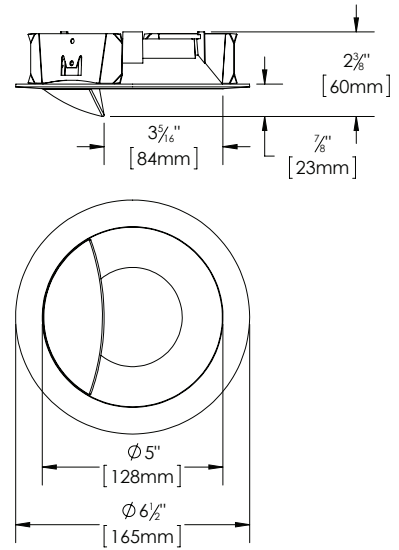


TRIM DIMENSIONS

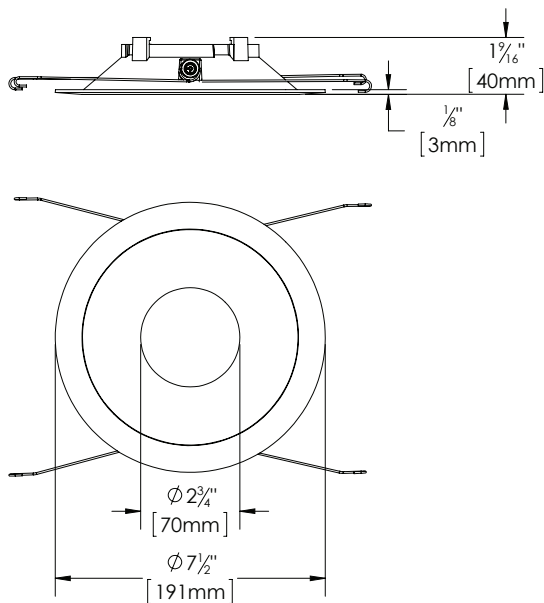
DRD2TR5
5" Round Trim



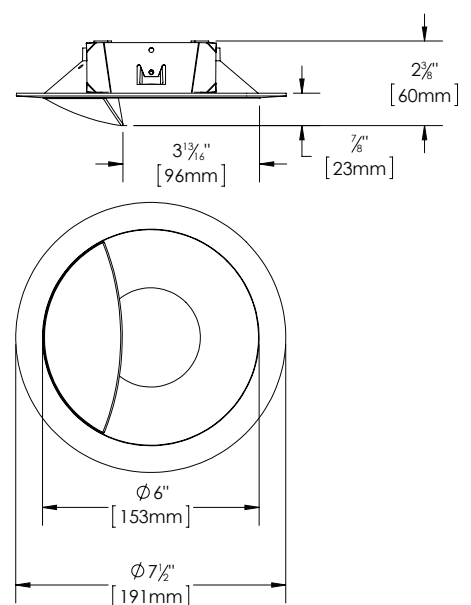
DRD2TR5W
5" Wall Wash Trim



DRD2TR6
6" Round Trim

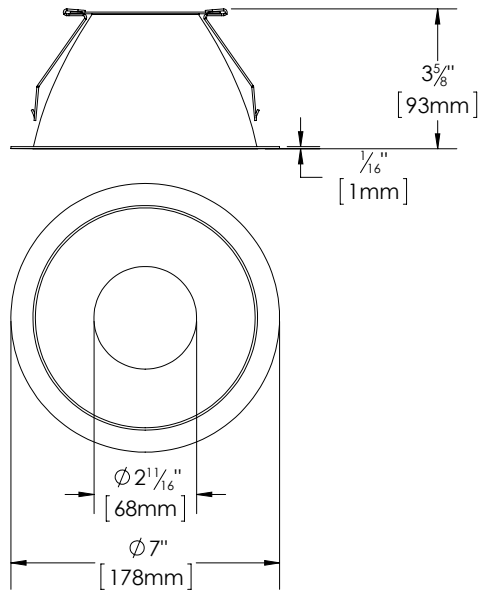


DRD2TR6W
6" Wall Wash Trim



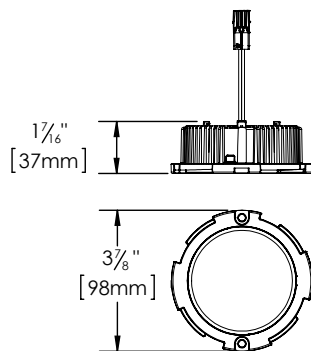
TRIM DIMENSIONS

DRD2TD6
6" Deep Trim



LIGHT ENGINE OVERVIEW

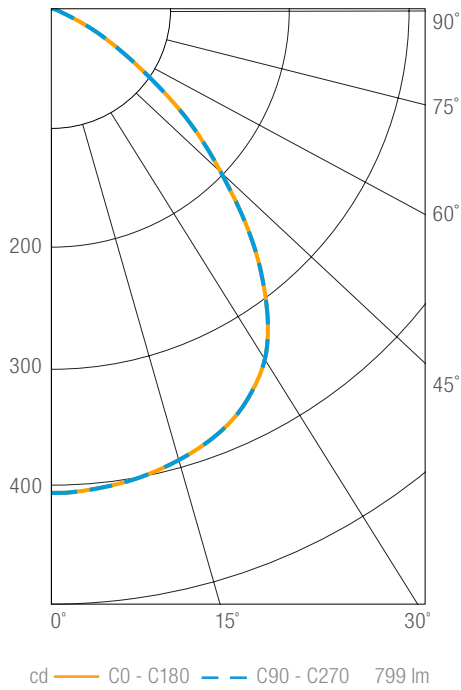
DRD2M
LED Module



	DRD2M7	DRD2M10
Total Module Lumen Output (lm)	750	1000
Total Rated Power (W)	11.8	14.7
Efficacy (lm/W)	64	68
Color Rendering Index	93+	
CCT Options	2700K, 3000K, 3500K, 4000K	
Optics	Flood	
Binning	2-step SDCM	
Lifetime (L70)	50,000 hours	
Max Ambient Operating Temperature	40°C	
Input Voltage (V)	120/277V, 50/60Hz	
Input Current at 120V (Max)	0.10A	0.13A
Input Current at 277V (Max)	0.042A	0.053A
Power Factor	>0.9	
Total Harmonic Distortion	<20%	
Dimming	100% - 5%	

PHOTOMETRICS

Light Engine: **DRD2M7930** (DRD2 Module, 750 lm, 93 CRI, 3000K)
Trim: **DRD2TR6SWH** (DRD2 Trim, 6" Aperture, Smooth, White)



Luminous Intensity

Gamma	C 0°
0.0°	406
5.0°	404
10.0°	400
15.0°	394
20.0°	386
25.0°	373
30.0°	351
35.0°	316
40.0°	265
45.0°	208
50.0°	154
55.0°	100
60.0°	55
65.0°	24
70.0°	8
75.0°	4
80.0°	1
85.0°	0
90.0°	0

Values in candela

Zonal Lumen Summary

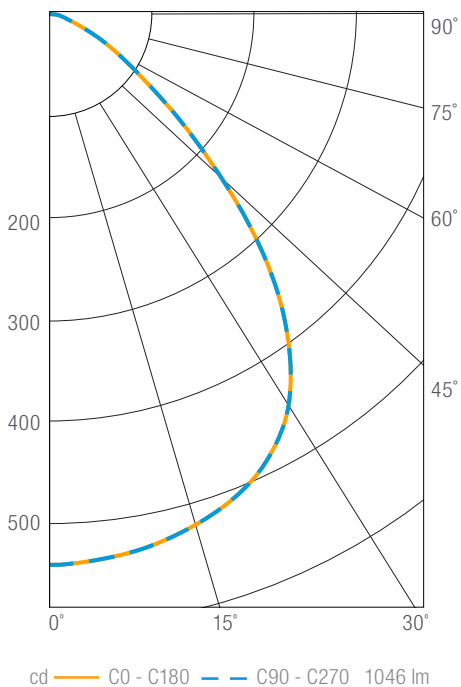
Zone	Lumens	Luminaire %
0-30	321	40
0-40	517	65
0-60	768	96
0-90	799	100
0-180	799	100

Illuminance Chart

Distance from LED	Foot Candles	Diameter
2.5'	65	5.1'
5.0'	16	10.1'
7.5'	7	15.2'
9.0'	5	18.3'

Beam Angle: 90°

Light Engine: **DRD2M10930** (DRD2 Module, 1000 lm, 93 CRI, 3000K)
Trim: **DRD2TR6SWH** (DRD2 Trim, 6" Aperture, Smooth, White)



Luminous Intensity

Gamma	C 0°
0.0°	540
5.0°	537
10.0°	531
15.0°	523
20.0°	510
25.0°	492
30.0°	461
35.0°	411
40.0°	342
45.0°	256
50.0°	172
55.0°	112
60.0°	74
65.0°	48
70.0°	27
75.0°	12
80.0°	6
85.0°	2
90.0°	0

Values in candela

Zonal Lumen Summary

Zone	Lumens	Luminaire %
0-30	425	41
0-40	679	65
0-60	980	94
0-90	1046	100
0-180	1046	100

Illuminance Chart

Distance from LED	Foot Candles	Diameter
2.5'	86	4.9'
5.0'	22	9.7'
7.5'	10	14.6'
9.0'	7	17.5'

Beam Angle: 90°

**DIMMER COMPATIBILITY****Recommended Phase-control Dimmers** (Dims down to 5% nominal measured light output)

Brand	Series	Model Number	Max Load DRD2M7	Max Load DRD2M10
Control 4	Control 4	C4-APD120	10	9
Cooper	Decorator	DLC03P, DAL06P	25	20
Legrand	Adorne	ADTP703TU	35	30
Lutron	Caseta	PD-6WCL	12	10
	CL Series	AYCL-153, CTCL-153, DVCL-153, LGCL-513, SCL-153, TGCL-513	12	10
	CL Series	AYCL-253, DVCL-253	20	15
	Grafik Eye 3000	QSGR-3P	30	25
	Grafik Sys / Homeworks	RPM-4A	25	20
	Grafik Sys / Homeworks	RPM-4U	30	25
	Maestro CL	MACL-153M, MSCL-OP153M, MSCL-VP153M	12	10
	Maestro Wireless	MRF2-6ELV, MRF2-6CL	12	10

Compatible Phase-control Dimmers¹ (Dims down to 20% nominal measured light output)

Brand	Series	Model Number	Max Load DRD2M7	Max Load DRD2M10
Cooper	Slide	SLC03P, SAL06P	25	20
Legrand	Harmony	H703PTU, HCL453P	30	25
Leviton	IllumaTech Slide	IPE04	25	20
	SureSlide	6621, 6674	10	10
Lutron	Diva	DV-600	12	10
	Maestro	MA-600	12	9
	Maestro ELV	MAELV-600, MSCELV-600	35	30
	Maestro Wireless	MRF2-6ND	12	10
	Radio RA	RRD-6NA, RRD-6CL, RRD-6D	12	10
	Power Booster	PHPM-PA, PPHM-WBX	25	20
	Sunrise	SR400RPC120, ZP260QEW	20	15
Watt Stopper	Digital Light Management	LMRC-221	160	150
	Dimming Sensor	PW-100D	14	12

¹ Dimmer compatibility reflects performance compatibility only. Please reference your local codes for application.