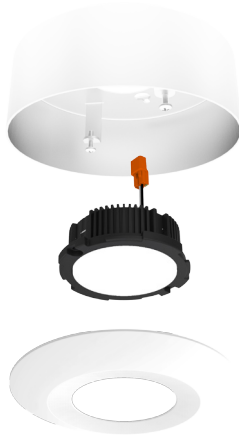


PRODUCT SPECIFICATIONS



- Unique, modern aesthetic
- Twist & Lock feature for easy trim installation
- 750 & 1000 lumen outputs
- 2700K, 3000K, 3500K, 4000K CCT
- Flicker-free TRIAC/ELV or 0-10V dimming
- 50,000 hr lifetime at 70% lumen maintenance
- 5 year limited warranty

|   |   |   |   |   |
|---|---|---|---|---|
|  |  |  |  |  |
| Dimmable  | 50000 hrs lifetime  | Warranty 5 yr   | UL listed for wet location  | Twist & lock  |

Frame-in Kit

**SURFACE MOUNT HOUSING:** Die-formed sheet metal.

**JUNCTION BOX:** Requires listed 4" x 4" octagonal junction box (supplied by others) installed in ceiling prior to fixture installation. Adapters are available (as an option) for a 4" x 4" square junction box (supplied by others).

**JUNCTION BOX MOUNTING:** Attach to junction box mounting ears with (2) #8-32 screws.

Light Engine

**LED:** Tightly binned, high performing white Cree® LED.

**LUMEN OUTPUT (POWER):** 750 lm (11.8W), 1000 lm (14.7W).

**COLOR QUALITY:** 93+ CRI, 2-step SDCM.

**CCT OPTIONS:** 2700K, 3000K, 3500K, 4000K.

**CONNECTOR:** PowerPlug® Luminaire Disconnect Model 182.

**INPUT VOLTAGE:** 120/277V.

**DIMMING:** Down to less than 5% for TRIAC/ELV at 120V.

**LIFETIME:** 50,000 hours at 70% lumen maintenance.

**PHOTOMETRIC TESTING:** Tested in accordance to IESNA LM-79-2008.

**LISTINGS:** cULus Listed. ENERGY STAR® qualified. California Title 24 JA8 compliant. UL Listed for Wet Location. CEC listed.

**WARRANTY:** 5 year limited warranty.

Trim

**CONSTRUCTION:** Die-cast aluminum. Twist & Lock mounting allows easy tool-free field installation and tight ceiling fit.

|               |          |       |  |
|---------------|----------|-------|--|
| Product Code: |          | Type: |  |
| Project:      | Contact: | Date: |  |



PRODUCT SELECTION GUIDE

---

**FRAME-IN KIT** (Product Code Example: **DRDHS**)

| PRODUCT CODE        | APPLICATION            |
|---------------------|------------------------|
| <b>DRDH</b> Housing | <b>S</b> Surface Mount |

**LIGHT ENGINE** (Product Code Example: **DRD2M7927**)

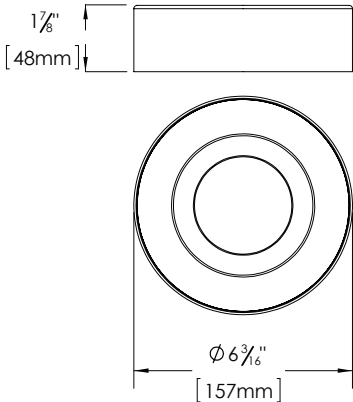
| PRODUCT CODE        | LUMENS (WATTS)            | CRI              | CCT             |
|---------------------|---------------------------|------------------|-----------------|
| <b>DRD2M</b> Module | <b>7</b> 750 lm (11.8W)   | <b>9</b> 93+ CRI | <b>27</b> 2700K |
|                     | <b>10</b> 1000 lm (14.7W) |                  | <b>30</b> 3000K |
|                     |                           |                  | <b>35</b> 3500K |
|                     |                           |                  | <b>40</b> 4000K |

**TRIM** (Product Code Example: **DRD2TRJSWH**)

| PRODUCT CODE      | SHAPE          | APERTURE              | STYLE           | FINISH          |
|-------------------|----------------|-----------------------|-----------------|-----------------|
| <b>DRD2T</b> Trim | <b>R</b> Round | <b>J</b> Junction Box | <b>S</b> Smooth | <b>WH</b> White |

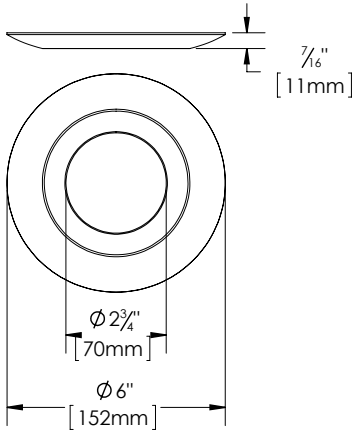
FRAME-IN KIT DIMENSIONS

**DRDHS**  
Surface Mount



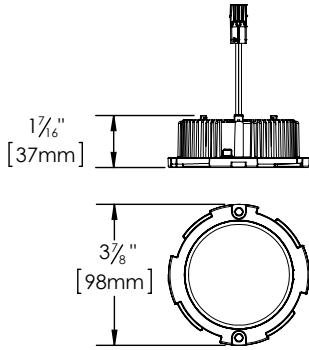
TRIM DIMENSIONS

**DRD2TRJ**  
Surface Mount Trim



### LIGHT ENGINE OVERVIEW

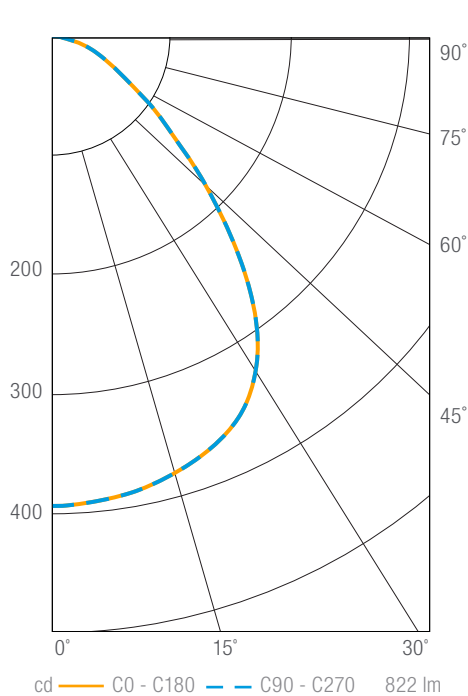
**DRD2M**  
LED Module



|                                   | DRD2M7                     | DRD2M10 |
|-----------------------------------|----------------------------|---------|
| Total Module Lumen Output (lm)    | 750                        | 1000    |
| Total Rated Power (W)             | 11.8                       | 14.7    |
| Efficacy (lm/W)                   | 64                         | 68      |
| Color Rendering Index             | 93+                        |         |
| CCT Options                       | 2700K, 3000K, 3500K, 4000K |         |
| Optics                            | Very Wide Flood (90°)      |         |
| Binning                           | 2-step SDCM                |         |
| Lifetime (L70)                    | 50,000 hours               |         |
| Max Ambient Operating Temperature | 40°C                       |         |
| Input Voltage (V)                 | 120/277V, 50/60Hz          |         |
| Input Current at 120V (Max)       | 0.10A                      | 0.13A   |
| Input Current at 277V (Max)       | 0.042A                     | 0.053A  |
| Power Factor                      | >0.9                       |         |
| Total Harmonic Distortion         | <20%                       |         |
| Dimming                           | 100% - 5%                  |         |

## PHOTOMETRICS

Light Engine: **DRD2M7930** (DRD2 Module, 750 lm, 93 CRI, 3000K)  
 Trim: **DRD2TRJSWH** (DRD2 Trim, Junction Box, Smooth, White)



Luminous Intensity

| Gamma | C 0° |
|-------|------|
| 0°    | 393  |
| 5°    | 391  |
| 10°   | 388  |
| 15°   | 381  |
| 20°   | 372  |
| 25°   | 360  |
| 30°   | 338  |
| 35°   | 301  |
| 40°   | 248  |
| 45°   | 190  |
| 50°   | 140  |
| 55°   | 101  |
| 60°   | 73   |
| 65°   | 54   |
| 70°   | 39   |
| 75°   | 25   |
| 80°   | 11   |
| 85°   | 0    |
| 90°   | 0    |

Values in candela

Zonal Lumen Summary

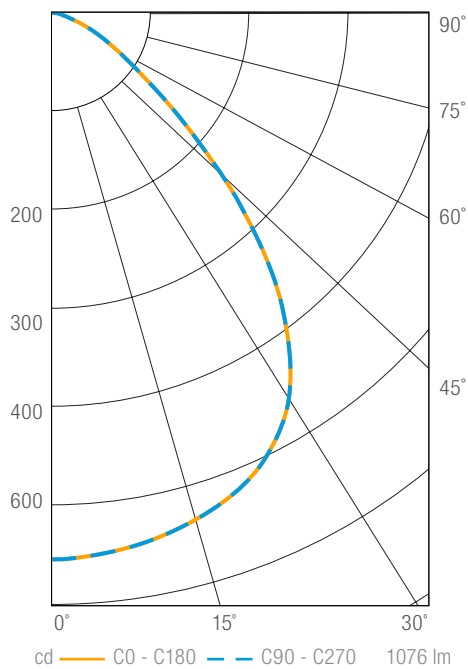
| Zone  | Lumens | Luminaire % |
|-------|--------|-------------|
| 0-30  | 310    | 38          |
| 0-40  | 496    | 60          |
| 0-60  | 738    | 90          |
| 0-90  | 822    | 100         |
| 0-180 | 822    | 100         |

Illuminance Chart

| Distance from LED | Foot Candles | Diameter |
|-------------------|--------------|----------|
| 2.5'              | 63           | 4.9'     |
| 5.0'              | 16           | 10.0'    |
| 7.5'              | 7            | 14.7'    |
| 9.0'              | 5            | 17.6'    |

Beam Angle: 88°

Light Engine: **DRD2M10930** (DRD2 Module, 1000 lm, 93 CRI, 3000K)  
 Trim: **DRD2TRJSWH** (DRD2 Trim, Junction Box, Smooth, White)



Luminous Intensity

| Gamma | C 0° |
|-------|------|
| 0°    | 554  |
| 5°    | 551  |
| 10°   | 545  |
| 15°   | 536  |
| 20°   | 523  |
| 25°   | 504  |
| 30°   | 473  |
| 35°   | 422  |
| 40°   | 350  |
| 45°   | 262  |
| 50°   | 177  |
| 55°   | 115  |
| 60°   | 76   |
| 65°   | 49   |
| 70°   | 27   |
| 75°   | 13   |
| 80°   | 6    |
| 85°   | 2    |
| 90°   | 0    |

Values in candela

Zonal Lumen Summary

| Zone  | Lumens | Luminaire % |
|-------|--------|-------------|
| 0-30  | 435    | 41          |
| 0-40  | 697    | 65          |
| 0-60  | 1007   | 94          |
| 0-90  | 1076   | 100         |
| 0-180 | 1076   | 100         |

Illuminance Chart

| Distance from LED | Foot Candles | Diameter |
|-------------------|--------------|----------|
| 2.5'              | 89           | 4.9'     |
| 5.0'              | 22           | 9.7'     |
| 7.5'              | 10           | 14.6'    |
| 9.0'              | 7            | 17.5'    |

Beam Angle: 88°

## DIMMER COMPATIBILITY

### Recommended Phase-control Dimmers (Dims down to 5% nominal measured light output)

| Brand            | Series                 | Model Number  | Max Load DRD2M7 | Max Load DRD2M10 |
|------------------|------------------------|---|-----------------|------------------|
| <b>Control 4</b> | Control 4              | C4-APD120   | 10              | 9                |
| <b>Cooper</b>    | Decorator              | DLC03P, DAL06P  | 25              | 20               |
| <b>Legrand</b>   | Adorne                 | ADTP703TU   | 35              | 30               |
| <b>Lutron</b>    | Caseta                 | PD-6WCL   | 12              | 10               |
|                  | CL Series              | AYCL-153, CTCL-153, DVCL-153, LGCL-513, SCL-153, TGCL-513 | 12              | 10               |
|                  | CL Series              | AYCL-253, DVCL-253  | 20              | 15               |
|                  | Grafik Eye 3000        | QSGR-3P   | 30              | 25               |
|                  | Grafik Sys / Homeworks | RPM-4U  | 30              | 25               |
|                  | Grafik Sys / Homeworks | RPM-4A  | 25              | 20               |
|                  | Maestro CL             | MACL-153M, MSCL-OP153M, MSCL-VP153M                       | 12              | 10               |
| Maestro Wireless | MRF2-6ELV, MRF2-6CL    | 12  | 10              |                  |

### Compatible Phase-control Dimmers<sup>1</sup> (Dims down to 20% nominal measured light output)

| Brand               | Series                   | Model Number             | Max Load DRD2M7 | Max Load DRD2M10 |
|---------------------|--------------------------|--------------------------|-----------------|------------------|
| <b>Cooper</b>       | Slide                    | SLC03P, SAL06P           | 25              | 20               |
| <b>Legrand</b>      | Harmony                  | H703PTU, HCL453P         | 30              | 25               |
| <b>Leviton</b>      | IllumaTech Slide         | IPE04                    | 25              | 20               |
|                     | SureSlide                | 6621, 6674               | 10              | 10               |
| <b>Lutron</b>       | Diva                     | DV-600                   | 12              | 10               |
|                     | Maestro                  | MA-600                   | 12              | 9                |
|                     | Maestro ELV              | MAELV-600, MSCELV-600    | 35              | 30               |
|                     | Maestro Wireless         | MRF2-6ND                 | 12              | 10               |
|                     | Radio RA                 | RRD-6NA, RRD-6CL, RRD-6D | 12              | 10               |
|                     | Power Booster            | PHPM-PA, PHPM-WBX        | 25              | 20               |
|                     | Sunrise                  | SR400RPC120, ZP260QEW    | 20              | 15               |
| <b>Watt Stopper</b> | Digital Light Management | LMRC-221                 | 160             | 150              |
|                     | Dimming Sensor           | PW-100D                  | 14              | 12               |

<sup>1</sup> Dimmer compatibility reflects performance compatibility only. Please reference your local codes for application.