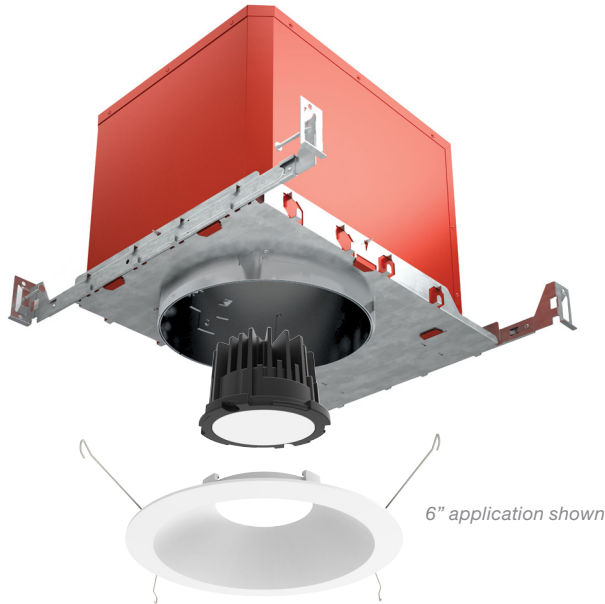


## PRODUCT SPECIFICATIONS



- Fire Rated: UL Listed fire resistance rated for up to two hours
- Sound Rated: Constructed to dampen unwanted noise
- 1500 & 2000 lumen outputs
- 2700K, 3000K, 3500K, 4000K CCT
- 0-10V or Lutron Hi-lume 1% dimming
- IC rated, cULus Listed, ENERGY STAR® qualified, Title 24 compliant, UL Fire Listed, UL Listed for Wet Location, ASTM E283 certified Air Tight

### Frame-in Kit

**HOUSING:** Fire and sound-rated housing. Up to 120 minute fire rated L500 (floor-ceiling) & P500 (roof-ceiling) design. Die formed #24 gauge galvanized steel construction. Snap on galvanized cover. Non-combustible matt insulation.

**JUNCTION BOX:** Pre-wired #18 gauge galvanized steel junction box with (7) 1/2" knockouts and (4) Romex® knockouts and removable plates. Supplied with quick connectors for easy installation. Through branch wiring maximum of (8) #12 AWG 90°C branch circuit connectors (four-in, four-out).

**MOUNTING:** Pre-installed adjustable bar hangers engineered to accommodate lumber, laminated beams and T-bar.

**CEILING:** 1/2" up to 1".

**CUTOUT:** 5 3/4" (5" frame-in kit), 6 3/8" (6" frame-in kit).

### Light Engine

**LED:** Next generation Cree® chip-on-board LED.

**LUMEN OUTPUT (POWER):** 1500 lm (19.5W), 2000 lm (29.0W).

**COLOR QUALITY:** 90+ CRI, 2-step SDCM.

**CCT OPTIONS:** 2700K, 3000K, 3500K, 4000K.

**CONNECTOR:** PowerPlug® Luminaire Disconnect Model 182.

**INPUT VOLTAGE:** 120/277V.

**DIMMING:** Down to less than 1% for 0-10V or Lutron Hi-lume® 1% at 120/277V.

**EMERGENCY LIGHTING:** Optional Emergency LED Driver for lighting up to 90 minutes in event of power failure.

**LIFETIME:** 50,000 hours at 70% lumen maintenance.

**PHOTOMETRIC TESTING:** Tested in accordance to IESNA LM-79-2008.

**LISTINGS:** cULus Listed. IC rated. ENERGY STAR® qualified. California Title 24 JA8 compliant. ASTM E283 certified Air Tight. Fire Rated. STC/IIC Sound Rated. UL Listed for Wet location.

**WARRANTY:** 5 year limited warranty.

### Trim

**CONSTRUCTION:** Die-cast aluminum. Twist & Lock mounting allows easy tool-free field installation and tight ceiling fit.



Product Code:	Type:	
Project:	Contact:	Date:



### PRODUCT SELECTION GUIDE

#### FRAME-IN KIT (Product Code Example: **F5L150**)

APERTURE	FIRE RATING	DRIVER	OPTION
<b>F5L</b> 5" Aperture	<b>[Blank]</b> 1 Hour Fire Rating	<b>15O</b> 0-10V, 1500 lm	<b>[Blank]</b> None
<b>F6L</b> 6" Aperture	<b>2</b> 2 Hour Fire Rating	<b>20O</b> 0-10V, 2000 lm <b>15C</b> Lutron LDE1 <sup>1</sup> , 1500 lm <b>20C</b> Lutron LDE1 <sup>1</sup> , 2000 lm <b>15W</b> Lutron L3DA3W <sup>2</sup> , 1500 lm <b>20W</b> Lutron L3DA3W <sup>2</sup> , 2000 lm	<b>EM</b> Emergency Driver

#### LIGHT ENGINE (Product Code Example: **DCD1M15927A**)

PRODUCT CODE	LUMENS (WATTS)	CRI	CCT	CONSTRUCTION
<b>DCD1M</b> Module	<b>15</b> 1500 lm (19.5W) <b>20</b> 2000 lm (29.0W)	<b>9</b> 90+ CRI	<b>27</b> 2700K <b>30</b> 3000K <b>35</b> 3500K <b>40</b> 4000K	<b>A</b> Alternate Construction

#### TRIM (Product Code Example: **DRD2TR5SWH**)

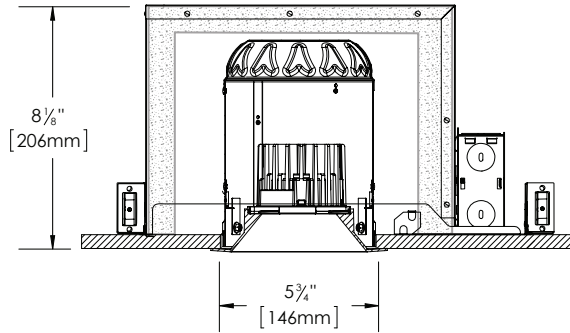
PRODUCT CODE	SHAPE	APERTURE	STYLE	FINISH
<b>DRD2T</b> Trim	<b>R</b> Round <b>D</b> Deep <i>Only available in 6" aperture; smooth or baffle style; white, low iridescent or custom finish</i>	<b>5</b> 5" Aperture <b>6</b> 6" Aperture	<b>S</b> Smooth <b>B</b> Baffle <b>W</b> Wall Wash <i>Only available in white finish</i>	<b>WH</b> White <b>BK</b> Black <b>SW</b> Silver Reflector, White Flange <b>AZ</b> Low Iridescent Reflector, White Flange <i>Only available in deep shape</i> <b>CC</b> Custom Color

<sup>1</sup> Lutron LDE1 Dimming refers to Lutron Hi-lume 1% EcoSystem LED driver with Soft-on, Fade-to-Black™

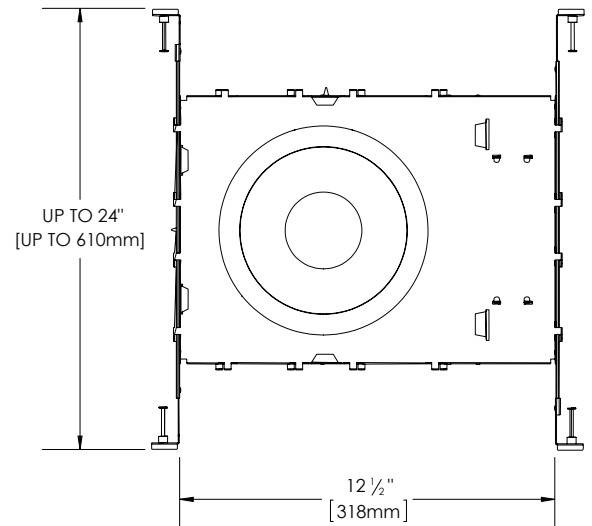
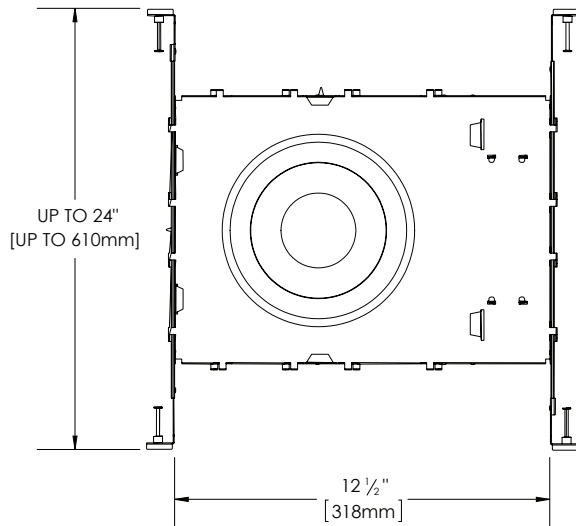
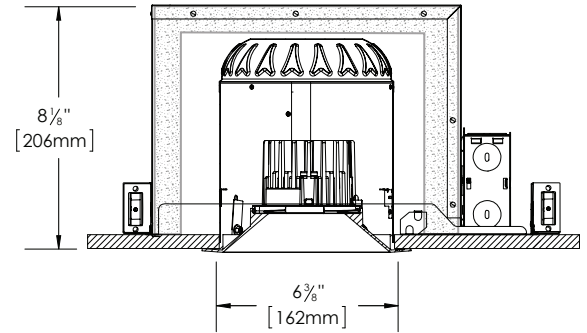
<sup>2</sup> Lutron L3DAE Dimming refers to Lutron Hi-lume 1% 3-wire LED driver

## FRAME-IN KIT DIMENSIONS

**F5L**  
 5" Fire Rated Housing

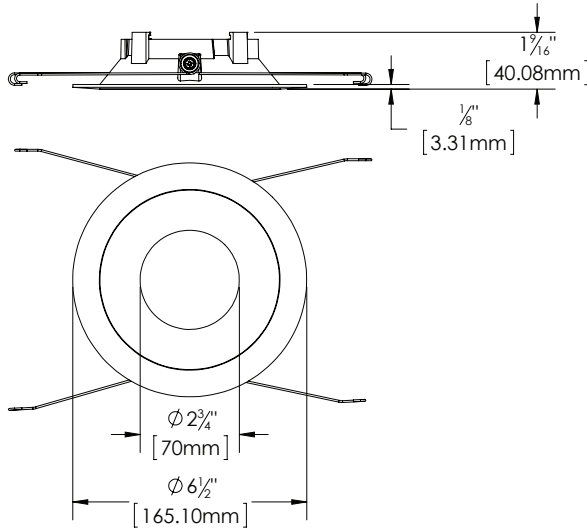


**F6L**  
 6" Fire Rated Housing

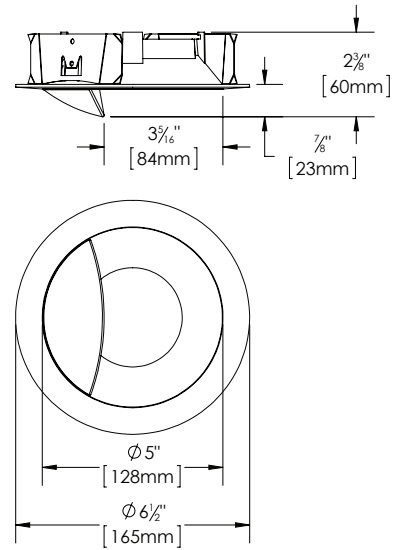


## TRIM DIMENSIONS

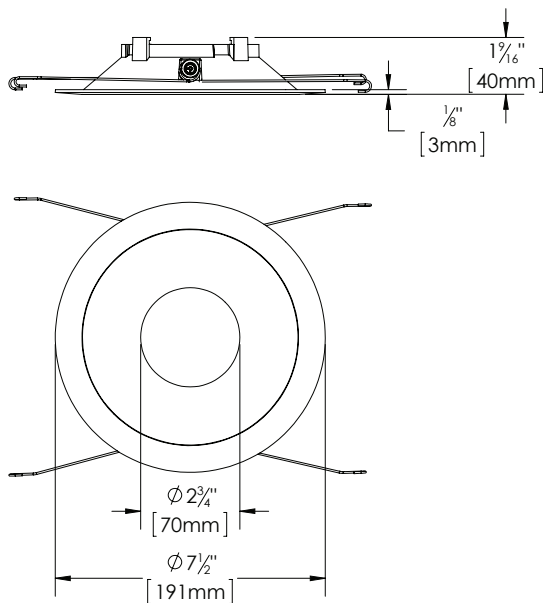
**DRD2TR5**  
5" Round Trim



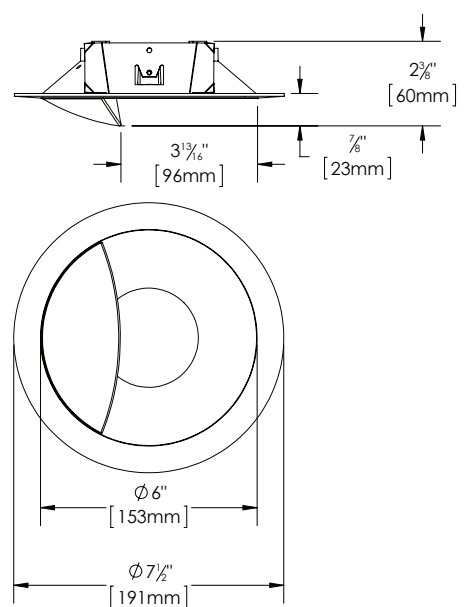
**DRD2TR5W**  
5" Wall Wash Trim



**DRD2TR6**  
6" Round Trim



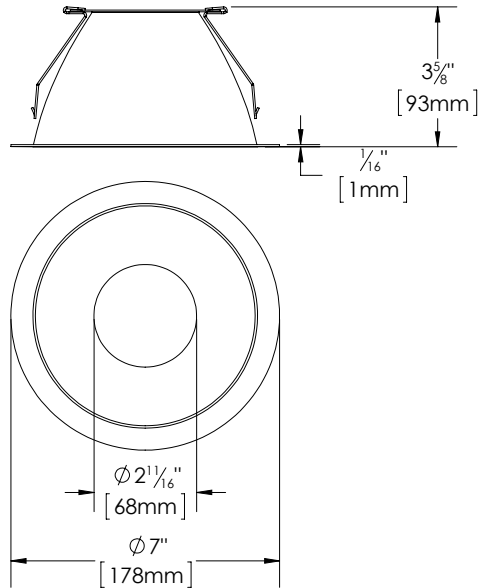
**DRD2TR6W**  
6" Wall Wash Trim



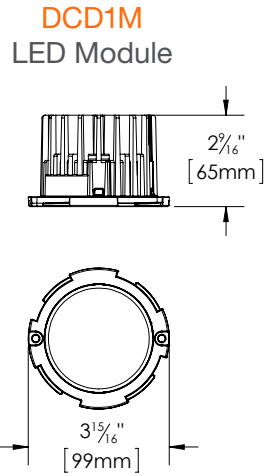
## TRIM DIMENSIONS

---

DRD2TD6  
6" Deep Trim



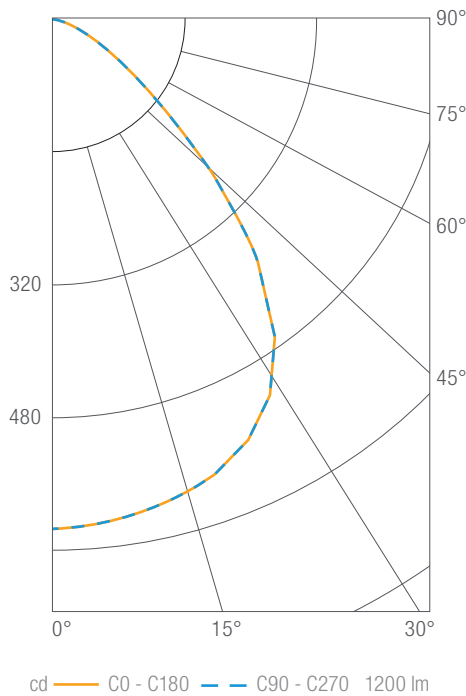
## LIGHT ENGINE OVERVIEW



	DCD1M10	DCD1M15	DCD1M20
Total Module Lumen Output (lm)	1000	1500	2000
Total Rated Power (W)	13.6	19.5	29.0
Efficacy (lm/W)	74	77	69
Color Rendering Index	90+		
CCT Options	2700K, 3000K, 3500K, 4000K		
Optics	Flood		
Binning	2-step SDCM		
Lifetime (L70)	50,000 hours		
Max Ambient Operating Temperature	40°C		
Input Voltage (V)	38VDC (light engine), 120 or 277VAC (luminaire), 50/60Hz		
Input Current at 120V (Max)	0.20A	0.26A	0.37A
Input Current at 277V (Max)	0.10A	0.12A	0.16A
Power Factor	>0.9		
Total Harmonic Distortion	<20%		
Dimming	100% - 5% (TRIAC/ELV), 100% - 10% (0-10V), 100% - 1% (Lutron Hi-lume 1%)		

## PHOTOMETRICS

Light Engine: **DCD1M10930A** (DCD1 Module, 1000 lm, 90 CRI, 3000K)  
Trim: **DRD2TR6SWH** (DRD2 Trim, 6" Aperture, Smooth, White)



Luminous Intensity

Gamma	C 0°
0°	618
5°	615
10°	609
15°	598
20°	584
25°	563
30°	528
35°	471
40°	391
45°	293
50°	197
55°	129
60°	85
65°	55
70°	31
75°	15
80°	7
85°	3
90°	0

Values in candela

Zonal Lumen Summary

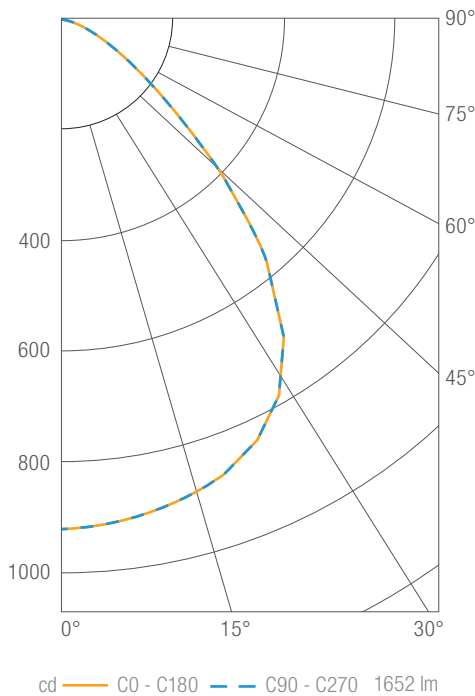
Zone	Lumens	Luminaire %
0-30	486	41
0-40	777	65
0-60	1123	94
0-90	1200	100
0-180	1200	100

Illuminance Chart

Distance from LED	Foot Candles	Diameter
3.0'	69	5.8'
6.0'	17	11.6'
9.0'	8	17.4'
12.0'	4	23.3'

Beam Angle: 88°

Light Engine: **DCD1M15930A** (DCD1 Module, 1500 lm, 90 CRI, 3000K)  
Trim: **DRD2TR6SWH** (DRD2 Trim, 6" Aperture, Smooth, White)



Luminous Intensity

Gamma	C 0°
0°	851
5°	847
10°	838
15°	824
20°	804
25°	775
30°	727
35°	649
40°	539
45°	403
50°	272
55°	178
60°	117
65°	75
70°	42
75°	20
80°	10
85°	4
90°	0

Values in candela

Zonal Lumen Summary

Zone	Lumens	Luminaire %
0-30	669	41
0-40	1070	65
0-60	1546	94
0-90	1652	100
0-180	1652	100

Illuminance Chart

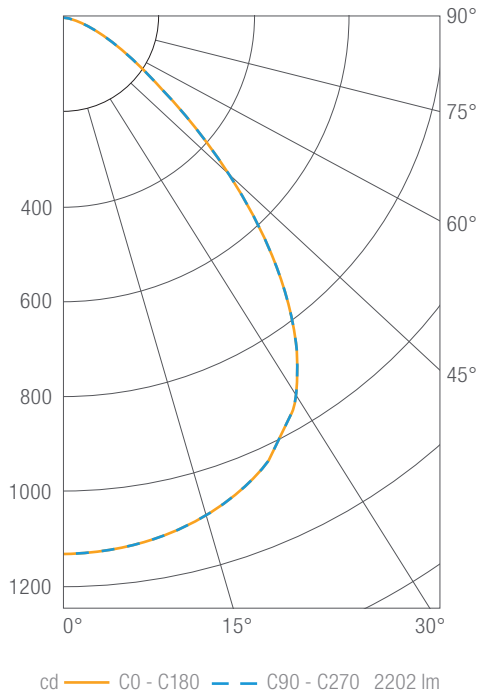
Distance from LED	Foot Candles	Diameter
3.0'	95	5.8'
6.0'	24	11.6'
9.0'	11	17.4'
12.0'	6	23.3'

Beam Angle: 88°

## PHOTOMETRICS

Light Engine: **DCD1M20930A** (DCD1 Module, 2000 lm, 90 CRI, 3000K)

Trim: **DRD2TR6SWH** (DRD2 Trim, 6" Aperture, Smooth, White)



Luminous Intensity

Gamma	C 0°
0°	1135
5°	1129
10°	1117
15°	1098
20°	1072
25°	1033
30°	969
35°	865
40°	718
45°	538
50°	362
55°	237
60°	156
65°	100
70°	56
75°	27
80°	13
85°	5
90°	0

Values in candela

Zonal Lumen Summary

Zone	Lumens	Luminaire %
0-30	892	41
0-40	1426	65
0-60	2062	94
0-90	2202	100
0-180	2202	100

Illuminance Chart

Distance from LED	Foot Candles	Diameter
3.0'	126	5.8'
6.0'	32	11.6'
9.0'	14	17.4'
12.0'	8	23.3'

Beam Angle: 88°

Light Engine: **DCD1Mxx927A, DCD1Mxx935A, DCD1Mxx940A**

Trim: **DRD2TR6SWH** (DRD2 Trim, 6" Aperture, Smooth, White)

### CCT Scaling

DCD1Mxx927A (2700K)	DCD1Mxx930A (3000K)	DCD1Mxx935A (3500K)	DCD1Mxx940A (4000K)
0.93	1.00	1.00	1.07



## DIMMER COMPATIBILITY

Recommended Phase-control Dimmers (Dims down to 5% nominal measured light output)

Brand	Series	Model Number	Max Load DCD1M10	Max Load DCD1M15	Max Load DCD1M20
Cooper	Decorator	DLC03P, DAL06P	17	10	8
Legrand	Adorne	ADTP703TU	28	17	14
Lutron	Caseta	PD-6WCL	9	6	4
	CL Series	AYCL-153, CTCL-153, DVCL-153, LGCL-513, SCL-153, TGCL-513	9	5	4
	CL Series	DVCL-253	15	9	7
	Grafik Eye 3000	QSGR-3P	18	13	9
	Grafik Sys / Homeworks	RPM-4U	18	11	9
	Grafik Sys / Homeworks	RPM-4A	20	13	10
	Maestro	MA-600	9	5	4
	Maestro CL	MACL-153M, MSCL-OP153M, MSCL-VP153M	9	5	4
	Maestro ELV	MAELV-600, MSCELV-600	26	16	13
	Maestro Wireless	MRF2-6ELV, MRF2-6CL, MRF2-6ND	9	6	4
Radio RA	RRD-6NA, RRD-6CL, RRD-6D	9	6	4	

Compatible Phase-control Dimmers<sup>1</sup> (Dims down to 20% nominal measured light output)

Brand	Series	Model Number	Max Load DCD1M10	Max Load DCD1M15	Max Load DCD1M20
Cooper	Aspire	9573	17	10	8
	Slide	SLC03P, SAL06P	17	10	8
Legrand	Harmony	H703PTU, HCL453P	25	14	12
Leviton	IllumaTech Slide	IPE04	18	11	9
	SureSlide	6621, 6674	8	5	4
Lutron	Diva	DV-600	8	5	4
	Skylark	S-600, SLV-600	9	6	4
	Skylark	S-1000	14	8	7
	Skylark ELV	SELV-300	19	11	9
Lightolier	Sunrise	SR400RPC120, ZP260QEW	15	9	7
Watt Stopper	Digital Light Management	LMRC-221	132	97	68
	Dimming Sensor	PW-100D	47	29	23

<sup>1</sup> Dimmer compatibility reflects performance compatibility only. Please reference your local codes for application.



### DIMMER COMPATIBILITY

---

Recommended 0-10V Dimmers (Dims down to 10% nominal measured light output)

Brand	Series	Model Number	Max Load DCD1M10	Max Load DCD1M15	Max Load DCD1M20
Legrand	Titan	CD4FB	138	97	71
Leviton	IllumaTech	IP710-DLZ	65	46	34
Lithonia	Synergy	ISD BC	65	46	34
Lutron	Diva	DVTV	103	73	54
	Nova	NFTV	154	110	78
	Nova	NTSTV-DV	137	105	76
Watt Stopper	Micro Decorator Style	DCLV1	192	135	95