

LT2

LED Track Light



Highly compatible - works with most track and mono point systems

Minimalist design blends in seamlessly with nearly any aesthetic

Offers great flexibility with a wide array of lenses, filters, and snoot accessories

Specs at a Glance

Lumen Output (Power)	900 lm (16.1W)
Color Quality	90+ CRI, 2-step SDCM
CCT Options	2700K, 3000K, 3500K, 4000K
Optics	Spot (15°), Narrow Flood (25°), Flood (35°)
Finish	White, Black
Adjustment	350° horizontal, 330° vertical
Lifetime (L70)	50,000 hrs
Input Voltage	120V
Dimming	TRIAC/ELV dimming down to less than 5%
Accessories	Snoot (white, black), Patterned Lens (linear spread, spread, honeycomb filter), Colored Filter (frosted, blue, red, yellow, green)
Listings	cULus Listed. ENERGY STAR® qualified. California Title 24 2013 compliant.
Warranty	5 years

Product Selection Guide

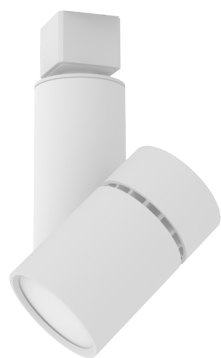
TRACK LIGHT (Product Code Example: **LT29927DSPW**)

PRODUCT CODE	LUMENS (WATTS)	CRI	CCT	INSTALLATION	OPTIC	FINISH
LT2 Module	9 900 lm (16.1W)	9 90+ CRI	27 2700K 30 3000K 35 3500K 40 4000K	D DMF Lighting, Halo Compatible Track Adapter J Juno Compatible Track Adapter L Lightolier Compatible Track Adapter	SP Spot NF Narrow Flood FL Flood	W White B Black

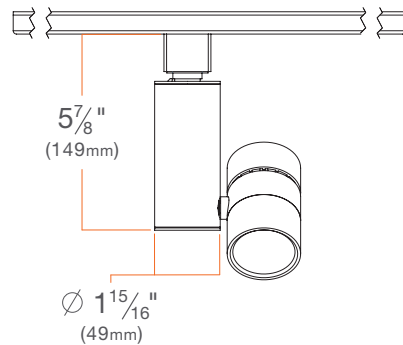
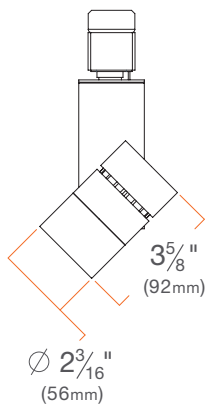
ACCESSORIES

LSL Linear Spread Lens	HF Honeycomb Filter	YF Yellow Filter	SNW White Snoot
SPL Spread Lens	BF Blue Filter	GF Green Filter	SNB Black Snoot
FL Frosted Lens	RF Red Filter		

Dimensions



LT2
LED Track Light



LT2 Accessories

