



# OneFrame™ Endless Possibilities

Introducing the first LED housing designed for multifamily buildings.





## Contents

### OneFrame

Overview	6
Ratings	8
Value	9

### OneFrame + DRD2

Overview	11
Design / Engineering	12
Simplicity / Flexibility	14
Aesthetics	17
Product Specs	19
Product Selection Guide	28

### About DMF

Thirty Years of Experience	30
A Brighter Tomorrow	31





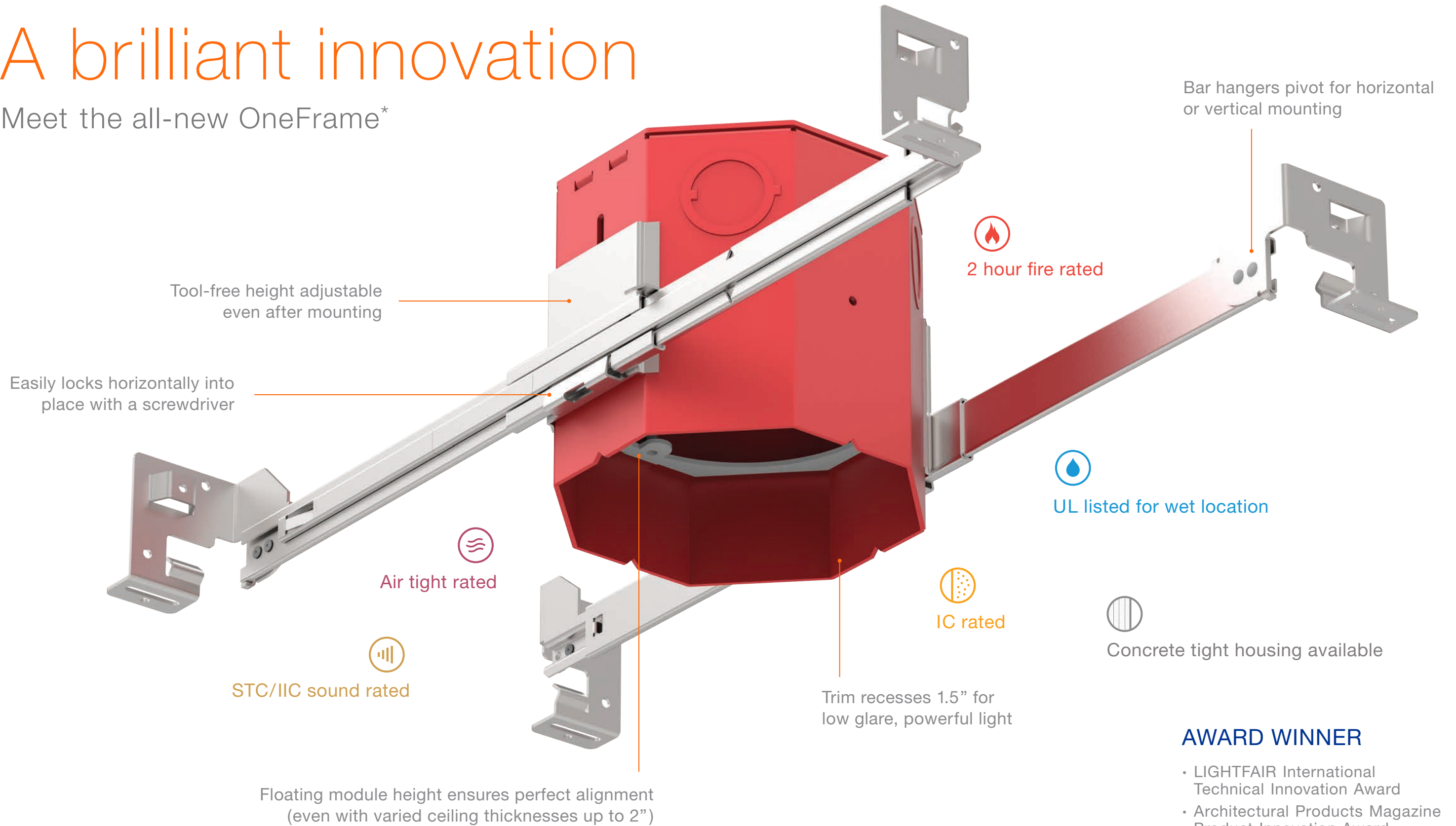
## Introducing the OneFrame: The first LED housing designed for multifamily buildings

The OneFrame is the first of its kind – a revolutionary housing for DRD2 LED created with multifamily construction in mind. Thanks to a unique low profile and small aperture design, it provides you with high quality, cost effective LED lighting in practically any space. Plus, the OneFrame simplifies installation and maintenance and blends into any aesthetic. It's performance and value all in one compact package.



# A brilliant innovation

Meet the all-new OneFrame\*

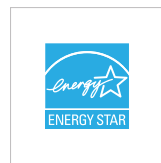
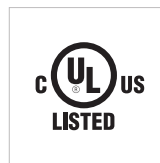
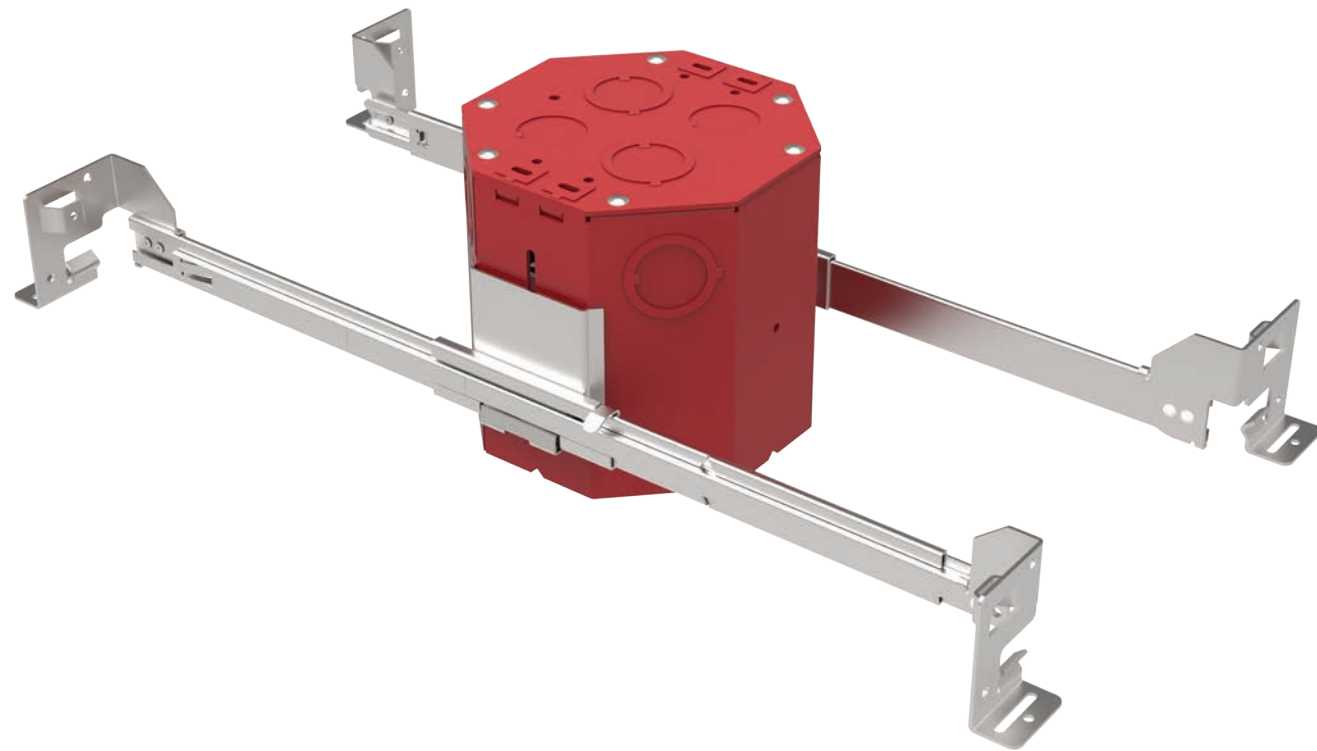


## AWARD WINNER

- LIGHTFAIR International Technical Innovation Award
- Architectural Products Magazine Product Innovation Award
- Illuminating Engineering Society Progress Report Selection

\*Patent Pending

# A frame that exceeds expectations

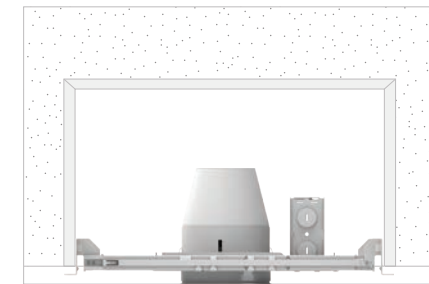


## All the ratings you need for multifamily applications

Beyond spatial limitations, multifamily applications pose challenges that most LED downlighting isn't suited for. The specially designed OneFrame with DRD2 LED makes these problems disappear. With Fire, Sound, Air Tight, Concrete Tight, IC, and Wet Location Ratings, you can be confident that it's compliant in a wide range of situations.

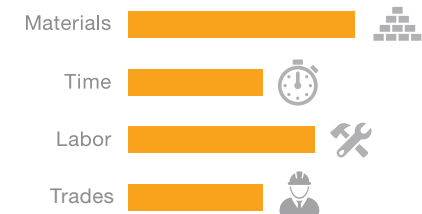
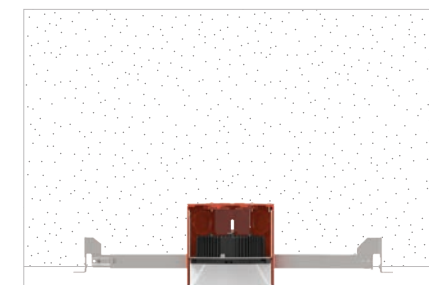
There's no need for costly fire rated boxing

### TRADITIONAL FIRE RATED BOXING



Total Cost: \$\$\$\$

### ONEFRAME TECHNOLOGY



Total Cost: \$\$

## Installation Savings

The combination of the OneFrame and DRD2 LED delivers more than just performance – it delivers exceptional value as well.

Thanks to the frame's design, there's no need to construct a fire rated box that requires specialized labor. In addition, these boxes must be made with rated drywall and sealed with fire barrier caulk, creating extra material costs. However, the OneFrame is all set as soon as it's installed.

# DRD2 LED: The next generation of light is here

**True color,  
every time**

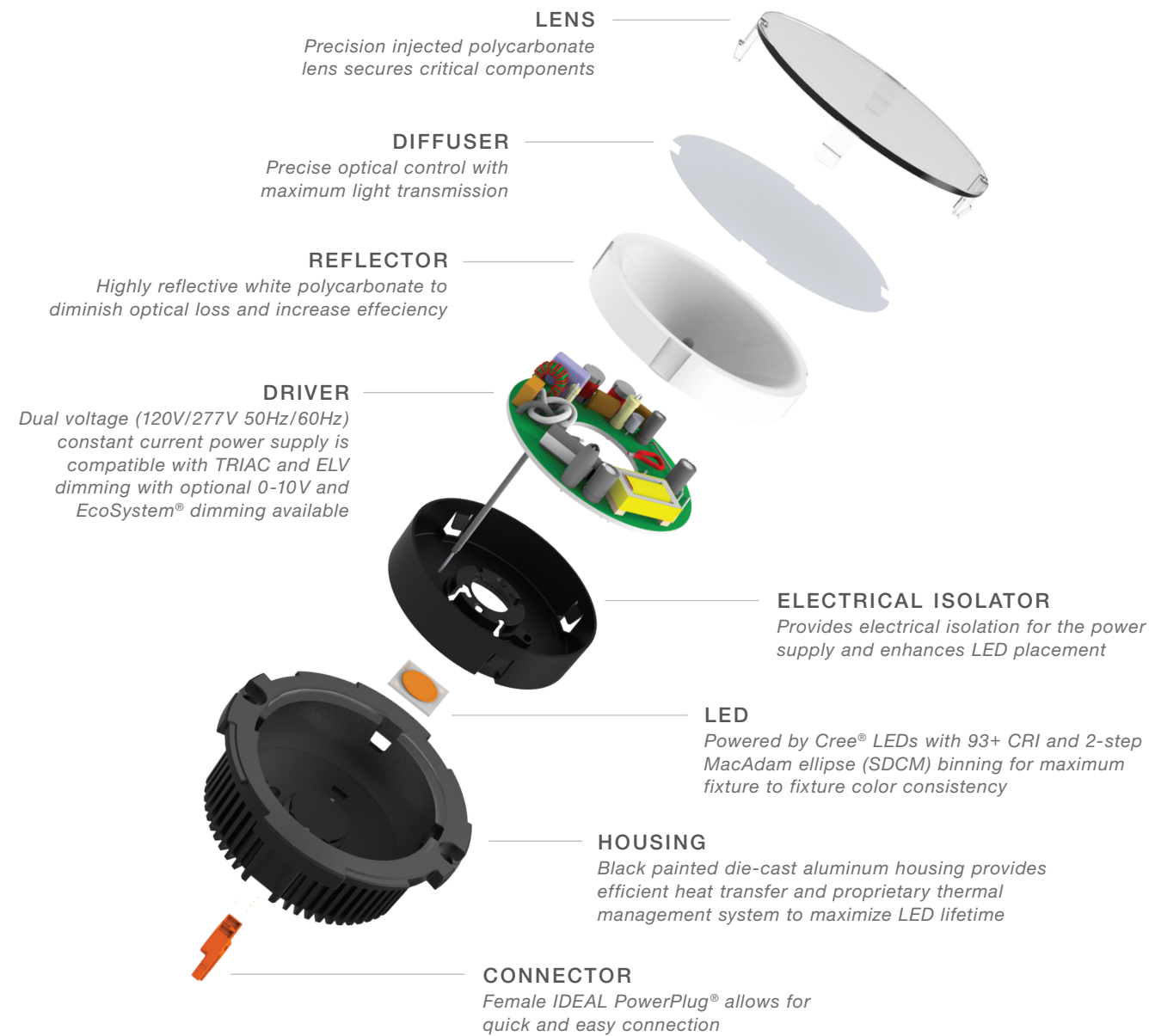


## Key LED Benefits

- Lower operating cost
- Much longer lifespan
- Reduced maintenance and waste
- Vibrant, full spectrum light
- Vivid colors

Today's leading builders are all moving in one direction: towards adopting LED lighting. It's less expensive, easier to maintain and renders color more accurately than conventional lighting. When it comes to LEDs, the DRD2 is second to none.

We use premium components and test every LED to ensure build quality, and also provide a five year limited warranty for each of our products.



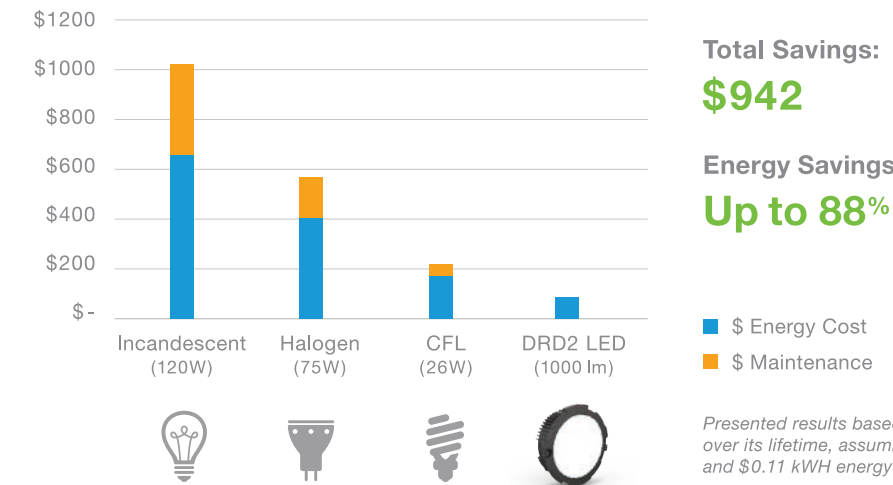
## Powerful light in a compact package

At the heart of the DRD2 LED is a 93+ CRI, 2-step SDCM LED that produces outstanding illumination at a tight chromaticity specification and color binning process to ensure CRI and CCT consistency.

## Extraordinary value

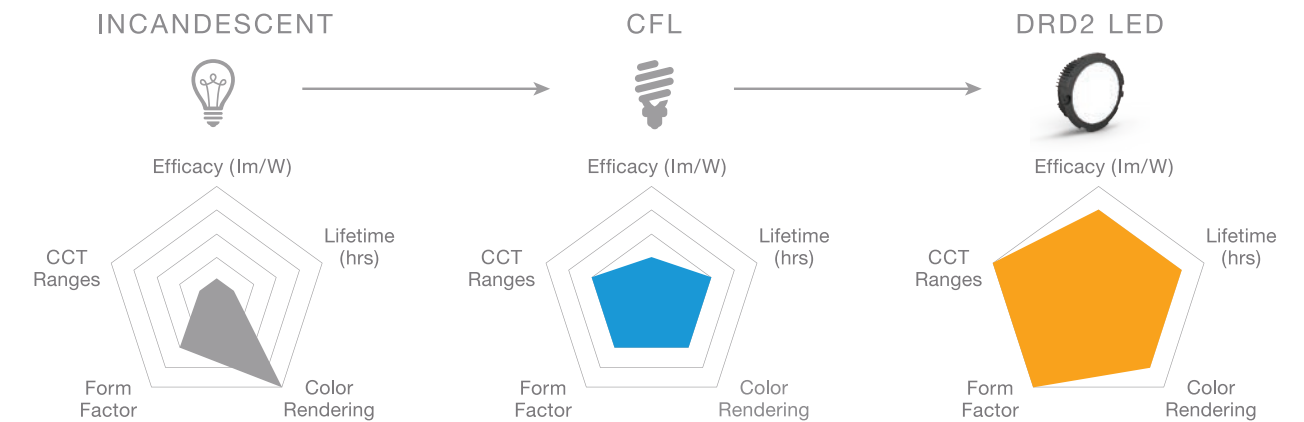
The chart below compares the operating cost of the DRD2 LED module against conventional light sources with comparable outputs.

DRD2 LED VS. CONVENTIONAL



## Next generation lighting

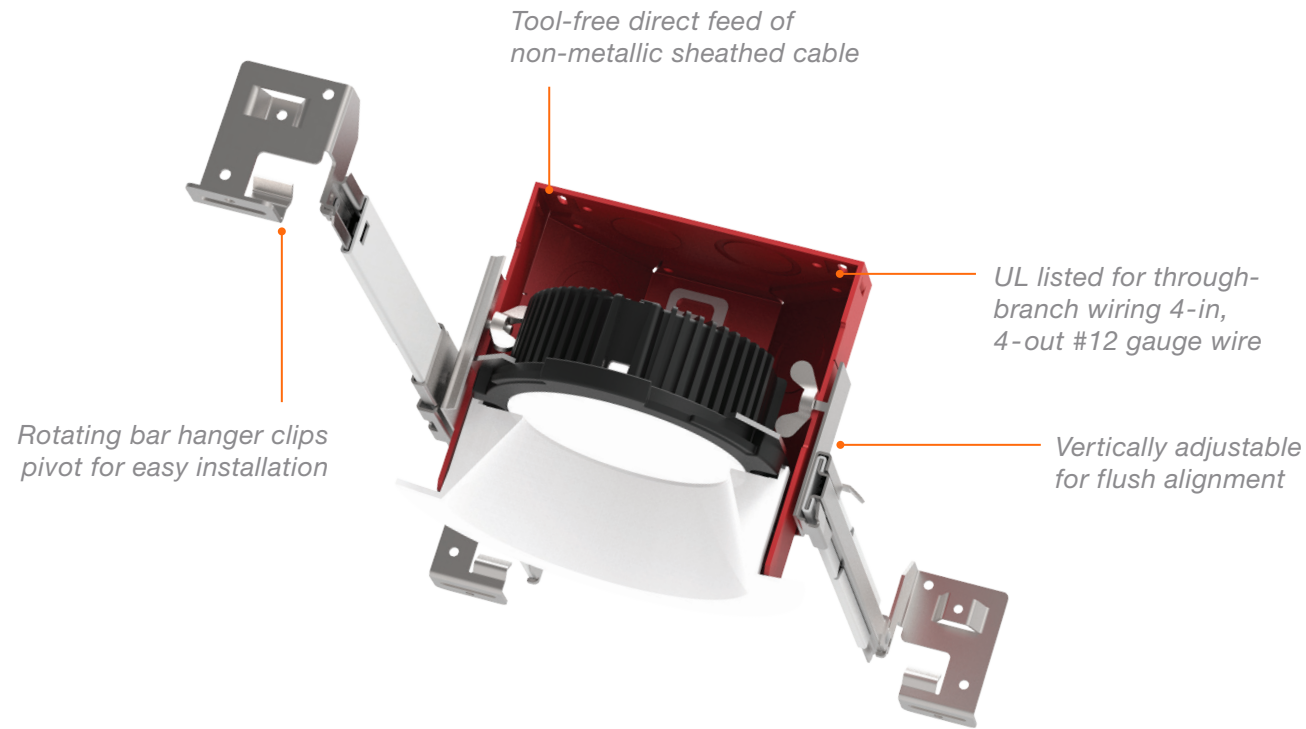
Efficiency is just one of the many advantages of the DRD2 LED. It also offers an exceptionally long life and optimized form factors, as well as vivid color in a range of hues.





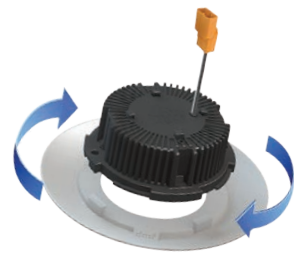
## Easy to specify, easy to install

Our thoughtfully designed system makes selecting, installing and maintaining your light a snap



## Created with multifamily in mind

DRD2 LED was created to make your job easy. Its broad compatibility simplifies the specification process making installing or replacing the light and trim fast and tool-free. In addition, DRD2 LED is highly flexible, allowing you to vary colors and arrangements easily.



## It's all in the twist

The Twist & Lock feature allows for easy, tool-free installations and seamless integration of multiple trim options.







## ONEFRAME: AESTHETICS



Whatever your needs,  
there's a perfect match  
for your project

The OneFrame complements your project with a sleek profile that puts the spotlight on the space, not the fixture. We offer highly customizable options for trim color, finish and shape. That means you can choose whether the fixture blends in seamlessly or provides a striking contrast.

With vivid true color illumination from the DRD2 LED, it's a powerful boost for your building's aesthetics.



Specification  
made simple



PRODUCT SPECS

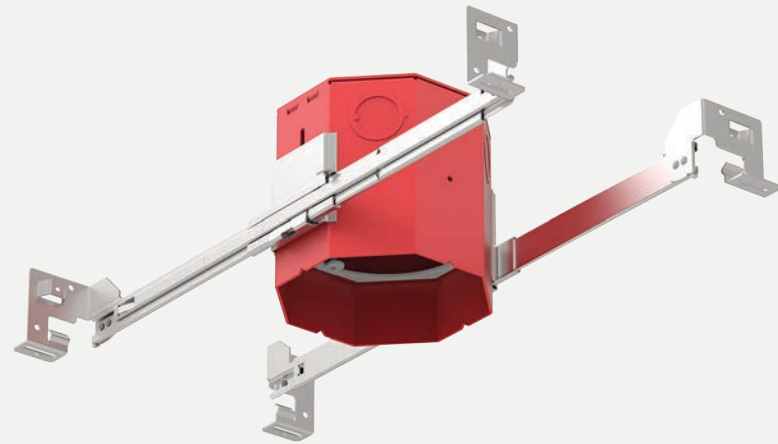


# Product Specs

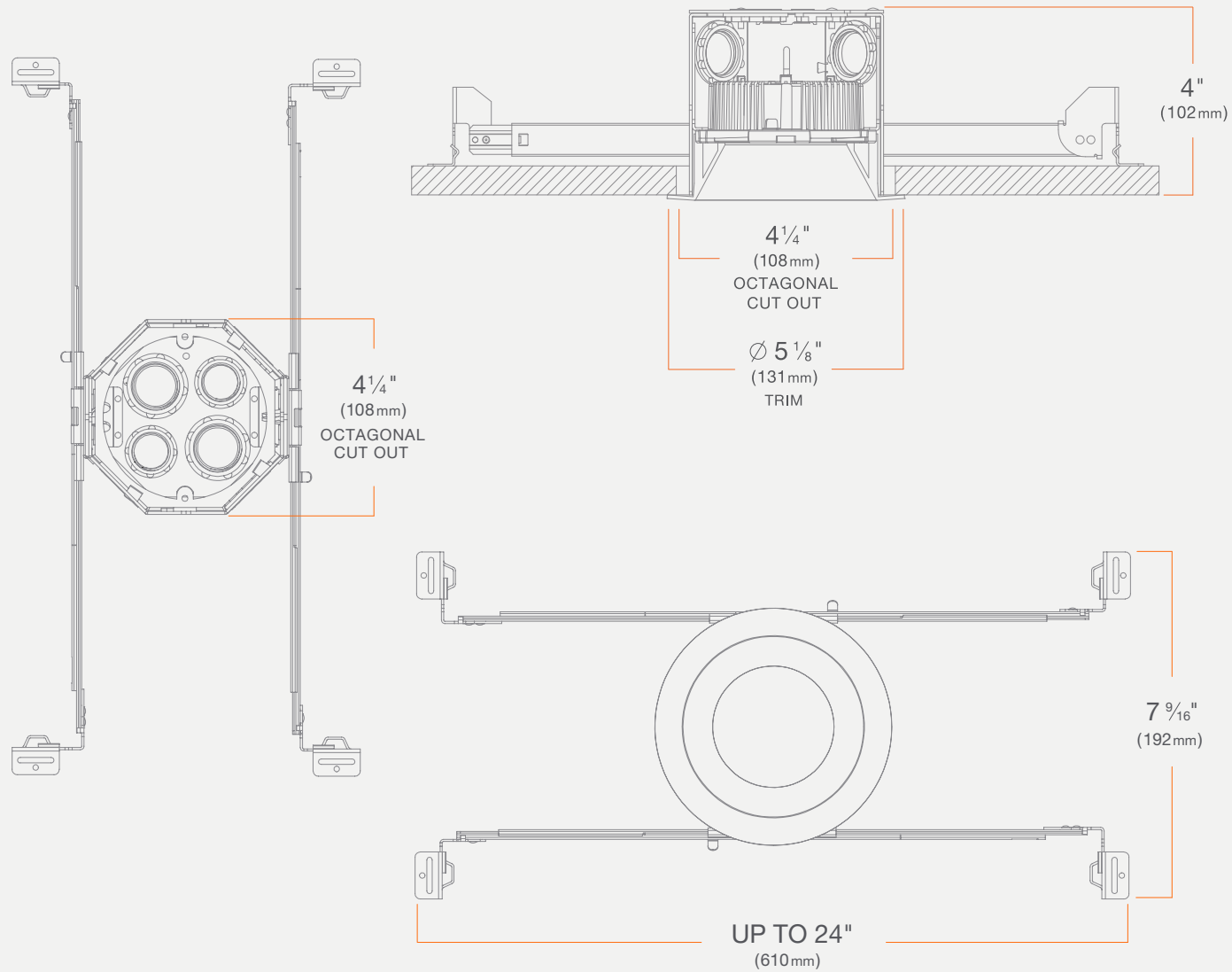
Application	New Construction Frame, New Construction Concrete, Junction Box
Light Module	DRD2M
Lumen Output (Power)	750 lm (11.8W), 1000 lm (14.7W)
Color Quality	93+ CRI, 2-step SDCM
CCT Options	2700K, 3000K, 3500K, 4000K
Lifetime (L70)	50,000 hrs
Input Voltage	120/277V
Dimming	TRIAC/ELV dimming down to 5% standard for 120V applications only
Trim Shape	Round, Square, Flangeless
Trim Style	Smooth
Trim Finish	White, Black, Silver (silver reflector, white flange), Custom
Trim Decorative	Closed bottom frosted finish, closed bottom clear finish, open bottom frosted finish
Listings	IC rated. cULus Listed. ENERGY STAR® qualified. Title 24 compliant. ASTM E283 certified Air Tight. STC/IIC Sound Rated. UL Listed for Wet Location. CEC listed. DRDHNJD metallic outlet box certified UL514A up to 2 hour fire rating. DRDHNJC certified UL Concrete Tight.
Warranty	5 years



## Frame-in Kit Dimensions



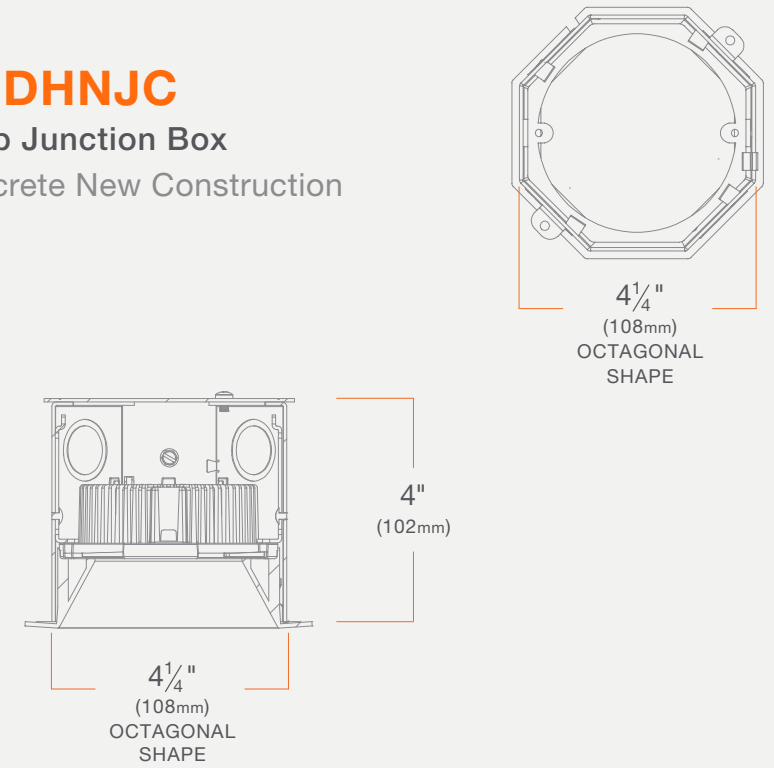
**DRDHNJD**  
 Deep Junction Box  
 New Construction Frame-in Kit



## Concrete Tight Dimensions



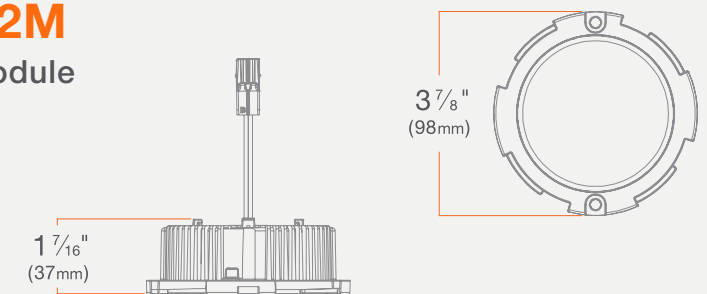
**DRDHNJC**  
 Deep Junction Box  
 Concrete New Construction



## Light Engine Dimensions



**DRD2M**  
 LED Module

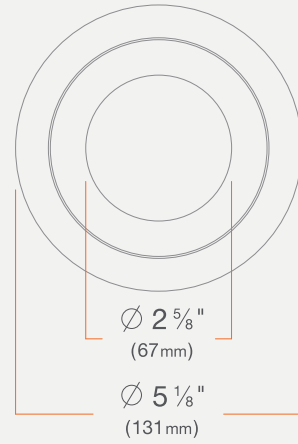
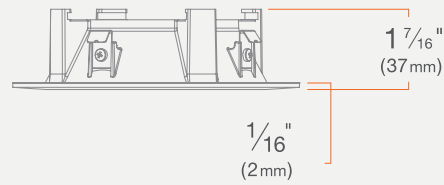


## Round Trim Dimensions



### DRD2TRJDSWH

Deep Junction Box  
Round Trim

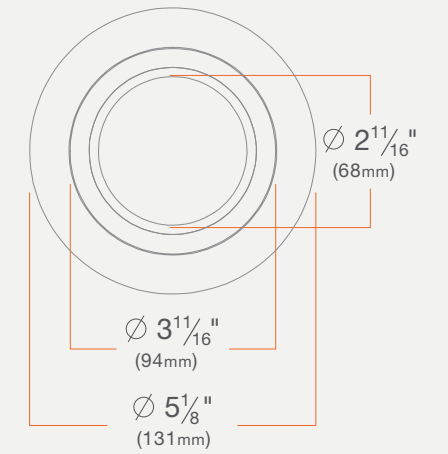
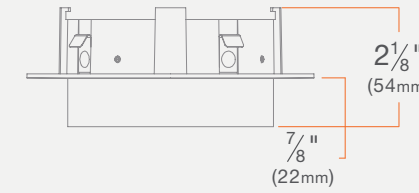


## Open Frosted Decorative Trim Dimensions

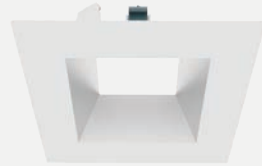


### DRD2TRJDSWHDOF

Deep Junction Box  
Open Frosted Decorative Trim

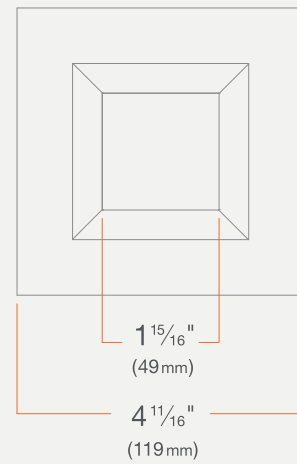
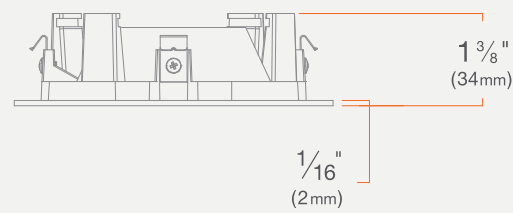


## Square Trim Dimensions



### DRD2TSJDSWH

Deep Junction Box  
Square Trim

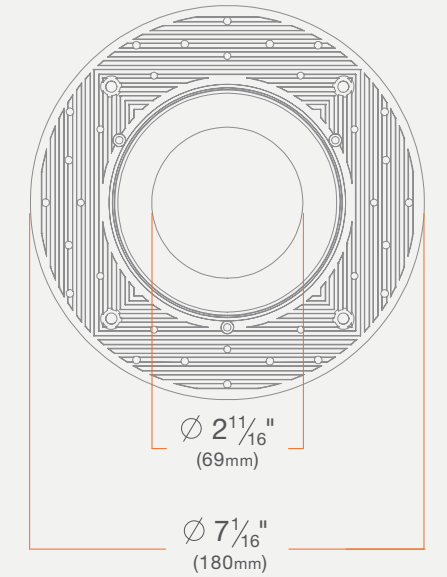
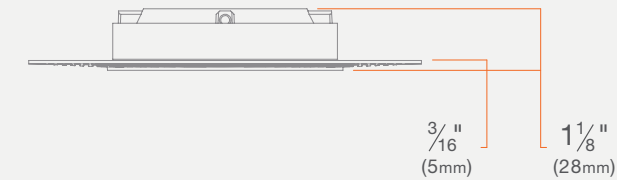


## Flangeless Trim Dimensions



### DRD2TRJDSWHFL

Deep Junction Box  
Flangeless Trim (pre-installed)

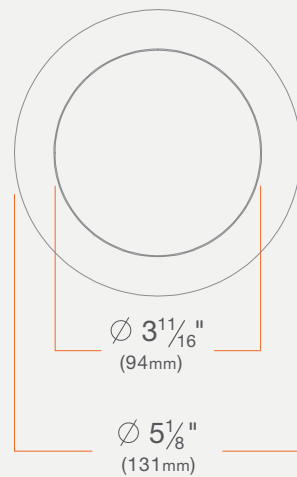
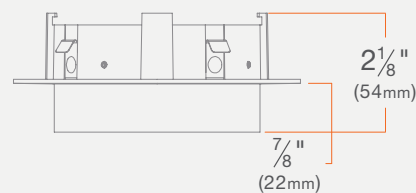


## Closed Clear/Frosted Decorative Trim Dimensions



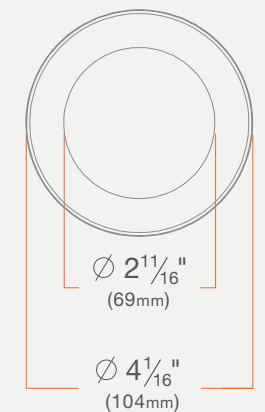
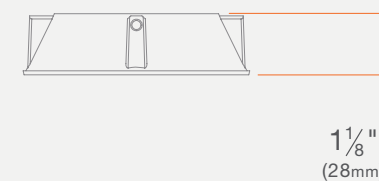
### DRD2TRJDSWHDCC/F

Deep Junction Box  
Closed Clear/Frosted Decorative Trim



### DRD2TRJDSWHFL

Deep Junction Box  
Flangeless Trim (finished)

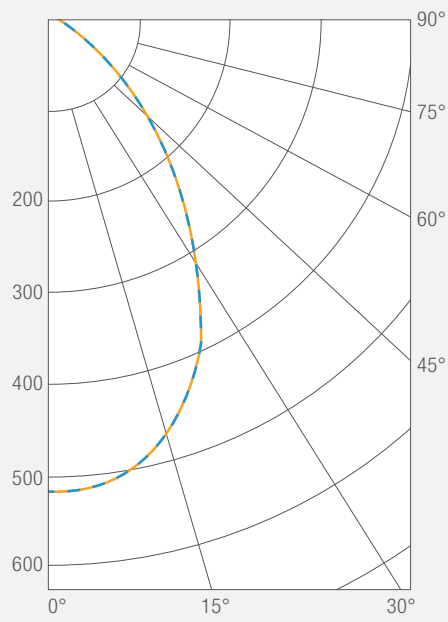




# Photometrics

**Light Engine: DRD2M7930** (DRD2 Module, 750 lm, 93 CRI, 3000K)

**Trim: DRD2TRJDSWH** (DRD2 Trim, Round, Deep Junction Box, Smooth, White)



cd — C0 - C180 — C90 - C270 761 lm

### Luminous Intensity

Gamma	C 0°
0.0°	518
5.0°	516
10.0°	506
15.0°	484
20.0°	447
25.0°	398
30.0°	335
35.0°	263
40.0°	196
45.0°	147
50.0°	110
55.0°	79
60.0°	54
65.0°	36
70.0°	23
75.0°	14
80.0°	9
85.0°	5
90.0°	2

Values in candela

### Zonal Lumen Summary

Zone	Lumens	Luminaire %
0-30	361	48
0-40	526	69
0-60	706	93
0-90	761	100
0-180	761	100

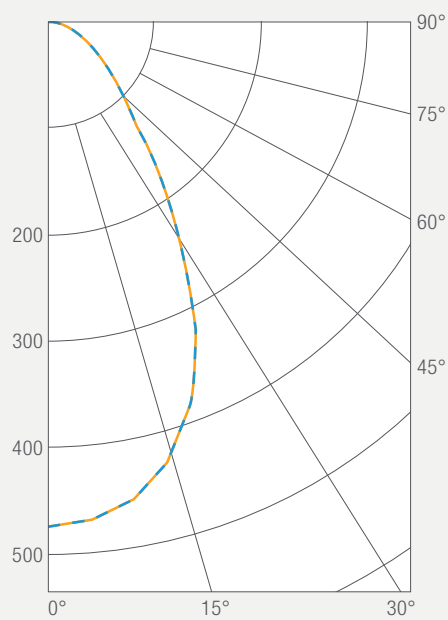
### Illuminance Chart

Distance from LED	Foot Candles	Diameter
2.5'	83	3.5'
5.0'	21	7.0'
7.5'	9	10.6'
9.0'	6	12.7'

Beam Angle: 70°

**Light Engine: DRD2M7930** (DRD2 Module, 750 lm, 93 CRI, 3000K)

**Trim: DRD2TSJDSWH** (DRD2 Trim, Square, Deep Junction Box, Smooth, White)



cd — C0 - C180 — C90 - C270 620 lm

### Luminous Intensity

Gamma	C 0°
0.0°	474
5.0°	468
10.0°	455
15.0°	427
20.0°	386
25.0°	331
30.0°	259
35.0°	188
40.0°	137
45.0°	104
50.0°	81
55.0°	62
60.0°	43
65.0°	32
70.0°	25
75.0°	19
80.0°	12
85.0°	7
90.0°	3

Values in candela

### Zonal Lumen Summary

Zone	Lumens	Luminaire %
0-30	312	50
0-40	429	69
0-60	563	93
0-90	620	100
0-180	620	100

### Illuminance Chart

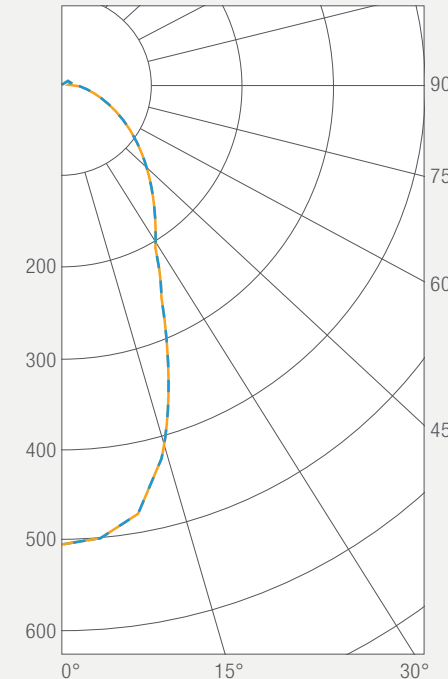
Distance from LED	Foot Candles	Diameter
2.5'	76	3.1'
5.0'	19	6.1'
7.5'	8	9.2'
9.0'	6	11.0'

Beam Angle: 63°

# Photometrics

**Light Engine: DRD2M7930** (DRD2 Module, 750 lm, 93 CRI, 3000K)

**Trim: DRD2TRJDSWHDC** (DRD2 Trim, Deep Junction Box, Smooth, White, Decorative, Closed, Clear)



cd — C0 - C180 — C90 - C270 743 lm

### Luminous Intensity

Gamma	C 0°	Gamma	C 0°
0°	505	95°	6
5°	499	100°	10
10°	478	105°	9
15°	426	110°	8
20°	342	115°	7
25°	259	120°	6
30°	206	125°	5
35°	117	130°	4
40°	156	135°	3
45°	135	140°	2
50°	115	145°	1
55°	97	150°	0
60°	79	155°	0
65°	62	160°	0
70°	48	165°	0
75°	36	170°	0
80°	27	175°	0
85°	19	180°	0
90°	10		

Values in candela

### Zonal Lumen Summary

Zone	Lumens	Luminaire %
0-30	286	39
0-40	398	54
0-60	589	79
0-90	710	96
0-180	743	100
90-180	33	4

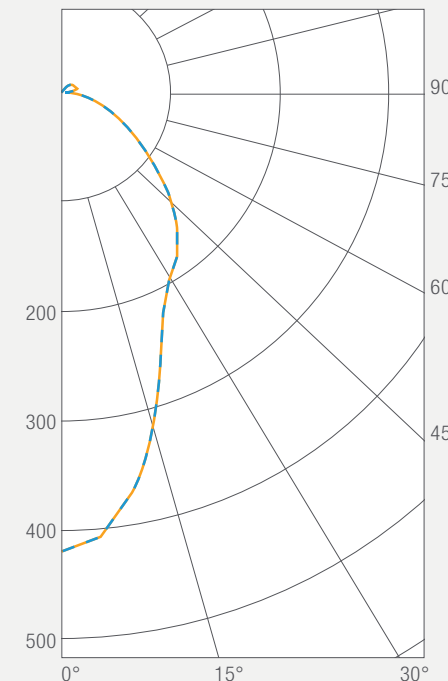
### Illuminance Chart

Distance from LED	Foot Candles	Diameter
3.0'	56	2.9'
6.0'	14	5.8'
9.0'	6	8.9'
12.0'	4	11.5'

Beam Angle: 51°

**Light Engine: DRD2M7930** (DRD2 Module, 750 lm, 93 CRI, 3000K)

**Trim: DRD2TRJDSWHDCF** (DRD2 Trim, Deep Junction Box, Smooth, White, Decorative, Closed, Frosted)



cd — C0 - C180 — C90 - C270 705 lm

### Luminous Intensity

Gamma	C 0°	Gamma	C 0°
0°	420	95°	4
5°	409	100°	12
10°	373	105°	14
15°	320	110°	13
20°	264	115°	13
25°	222	120°	13
30°	199	125°	11
35°	183	130°	10
40°	165	135°	8
45°	142	140°	7
50°	118	145°	5
55°	94	150°	2
60°	74	155°	1
65°	58	160°	1
70°	45	165°	1
75°	34	170°	1
80°	24	175°	1
85°	17	180°	0
90°	9		

Values in candela

### Zonal Lumen Summary

Zone	Lumens	Luminaire %
0-30	231	33
0-40	345	49
0-60	539	76
0-90	651	92
0-180	705	100
90-180	54	8

### Illuminance Chart

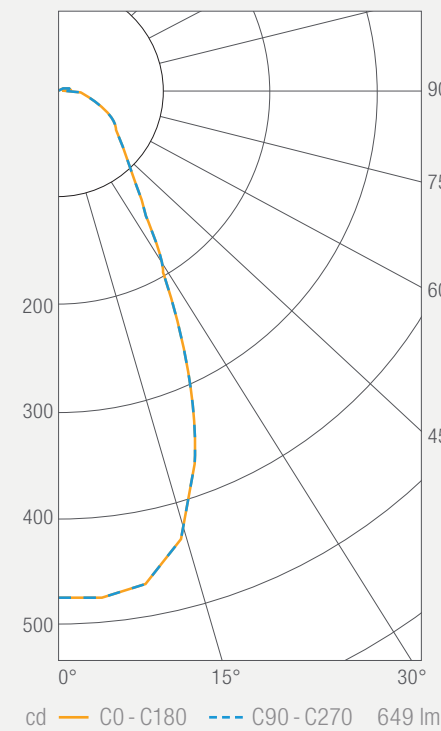
Distance from LED	Foot Candles	Diameter
3.0'	47	3.1'
6.0'	12	6.2'
9.0'	5	9.3'
12.0'	3	12.4'

Beam Angle: 55°

## Photometrics

**Light Engine: DRD2M7930** (DRD2 Module, 750 lm, 93 CRI, 3000K)

**Trim: DRD2TRJDSWHDOF** (DRD2 Trim, Deep Junction Box, Smooth, White, Decorative, Open, Frosted)



Luminous Intensity

Gamma	C 0°	Gamma	C 0°
0°	476	95°	9
5°	479	100°	10
10°	471	105°	8
15°	439	110°	6
20°	376	115°	5
25°	288	120°	4
30°	200	125°	2
35°	144	130°	1
40°	113	135°	1
45°	93	140°	0
50°	78	145°	0
55°	67	150°	0
60°	60	155°	0
65°	52	160°	0
70°	41	165°	0
75°	32	170°	0
80°	26	175°	0
85°	21	180°	0
90°	0		

Values in candela

Zonal Lumen Summary

Zone	Lumens	Luminaire %
0-30	296	46
0-40	388	60
0-60	521	80
0-90	625	96
0-180	649	100
90-180	25	4

Illuminance Chart

Distance from LED	Foot Candles	Diameter
3.0'	53	3.1'
6.0'	13	6.3'
9.0'	6	9.4'
12.0'	4	12.5'

Beam Angle: 55°

### Lumen Scaling

DRD2M7 (750 lm)	DRD2M10 (1000 lm)
1.00	1.33

### CCT Scaling

DRD2M7927 (2700K)	DRD2M7930 (3000K)	DRD2M7935 (3500K)	DRD2M7940 (4000K)
0.93	1.00	1.00	1.07

## Dimmer Compatibility

**Recommended Phase-control Dimmers** (Dims down to less than 5% nominal measured light output)

Brand	Series	Model Number	Max Load DRD2M7	Max Load DRD2M10
<b>Control 4</b>	Control 4	C4-APD120	10	9
<b>Cooper</b>	Decorator	DLC03P, DAL06P	25	20
<b>Legrand</b>	Adorne	ADPD703TU	35	30
<b>Lutron</b>	Caseta	PD-6WCL	12	10
	CL series	AYCL-153, CTCL-153, DVCL-153, LGCL-153, SCL-153, TGCL-153	12	10
	CL series	AYCL-253, DVCL-253	20	15
	Grafik Eye 3000	QSGR-3P	30	25
	Grafik Sys/Homeworks	RPM-4A	25	20
	Grafik Sys/Homeworks	RPM-4U	30	25
	Maestro CL	MACL-153M, MSCL-OP153M, MSCL-VP153M	12	10
Maestro Wireless	MRF2-6ELV, MRF2-6CL	12	10	

**Compatible Phase-control Dimmers<sup>1</sup>** (Dims down to less than 20% nominal measured light output)

Brand	Series	Model Number	Max Load DRD2M7	Max Load DRD2M10
<b>Cooper</b>	Slide	SLC03P, SAL06P	25	20
<b>Legrand</b>	Harmony	H703PTU, HCL453P	30	25
<b>Leviton</b>	IllumaTech Slide	IPE04	25	20
	SureSlide	6621, 6674	10	10
<b>Lutron</b>	Diva	DV-600	12	10
	Maestro	MA-600	12	9
	Maestro ELV	MAELV-600, MSCELV-600	35	30
	Maestro Wireless	MRF2-6ND	12	10
	Radio RA	RRD-6NA, RRD-6CL, RRD-6D	12	10
	Power Booster	PHPM-PA, PHPM-WBX	25	20
	Sunrise	SR400RPC120, ZP260QEW	20	15
<b>Watt Stopper</b>	Digital Light Management	LMRC-221	160	150
	Dimming Sensor	PW-100D	14	12

<sup>1</sup>Dimmer compatibility reflects performance compatibility only. Please reference your local codes for application.



## Product Selection Guide

### FRAME-IN KIT (Product Code Example: **DRDHNJD**)

PRODUCT CODE	APPLICATION	APERTURE	DRIVER OPTION (DRDHNJF only)	
<b>DRDH</b> Housing	<b>N</b> New Construction	<b>JD</b> Deep Junction Box	<b>70</b>	0-10V, 750 lm
		<b>JC</b> Deep Junction Box Concrete	<b>100</b>	0-10V, 1000 lm
		<b>JF</b> Deep Junction with Frame	<b>7C</b>	Lutron LDE1 <sup>1</sup> , 750 lm
			<b>10C</b>	Lutron LDE1 <sup>1</sup> , 1000 lm
			<b>7W</b>	Lutron L3DA3W <sup>2</sup> , 750 lm
			<b>10W</b>	Lutron L3DA3W <sup>2</sup> , 1000 lm
			<b>7OEM</b>	0-10V, EM Driver, 750 lm
			<b>10OEM</b>	0-10V, EM Driver, 1000 lm
			<b>7CEM</b>	Lutron LDE1 <sup>1</sup> , EM Driver, 750 lm
			<b>10CEM</b>	Lutron LDE1 <sup>1</sup> , EM Driver, 1000 lm
		<b>7WEM</b>	Lutron L3DA3W <sup>2</sup> , EM Driver, 750 lm	
		<b>10WEM</b>	Lutron L3DA3W <sup>2</sup> , EM Driver, 1000 lm	

### LIGHT ENGINE (Product Code Example: **DRD2M7927**)

PRODUCT CODE	LUMENS (WATTS)	CRI	CCT		DRIVER
<b>DRD2M</b> Module	<b>7</b> 750 lm (11.8W)	<b>9</b> 93+ CRI	<b>27</b> 2700K	<b>35</b> 3500K	<b>[Blank]</b> Integrated TRIAC/ELV
	<b>10</b> 1000 lm (14.7W)		<b>30</b> 3000K	<b>40</b> 4000K	<b>A</b> Alternate Dimming <i>Must be selected if 0-10V, Lutron or EM Driver is selected for frame-in kit</i>

### TRIM (Product Code Example: **DRD2TRJDSWH**)

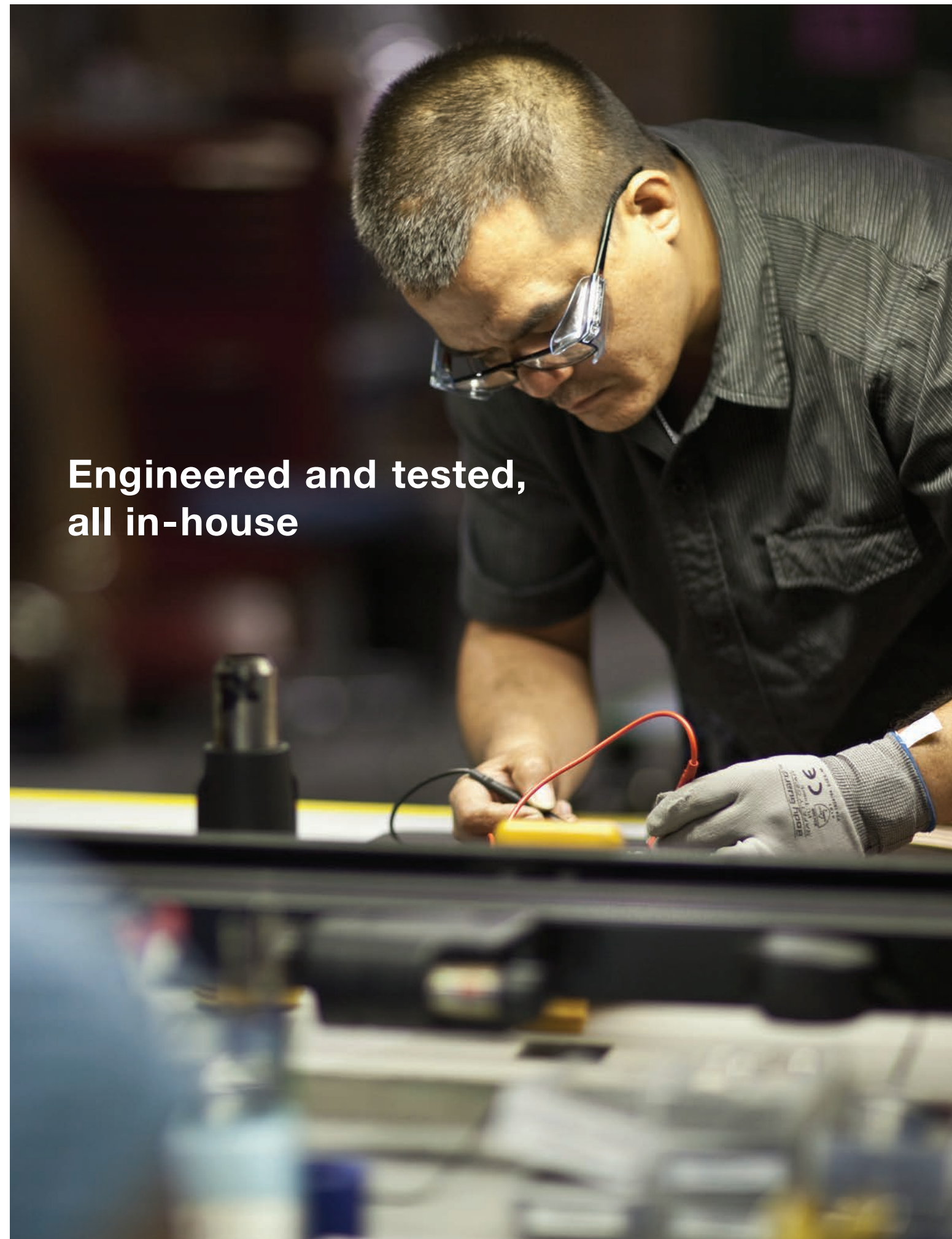
PRODUCT CODE	SHAPE	APERTURE	STYLE	FINISH	DECORATIVE OPTION
<b>DRD2T</b> Trim	<b>R</b> Round <b>S</b> Square	<b>JD</b> Deep Junction Box	<b>S</b> Smooth	<b>WH</b> White	<b>[Blank]</b> None
				<b>BK</b> Black	<b>DCC</b> Closed, Clear <i>Only available in round shape, white or custom color finish</i>
				<b>SW</b> Silver Reflector, White Flange	<b>DCF</b> Closed, Frosted <i>Only available in round shape, white or custom color finish</i>
				<b>CC</b> Custom Color	<b>DOF</b> Open, Frosted <i>Only available in round shape, white or custom color finish</i>
					<b>FL</b> Flangeless <i>Only available in round shape, white or custom color finish</i>

### EMERGENCY APPLICATION TRIM (Product Code Example: **DRD2TRJFSWH**)

PRODUCT CODE	SHAPE	APERTURE	STYLE	FINISH
<b>DRD2T</b> Trim	<b>R</b> Round	<b>JF</b> Deep Junction Box w/ Integrated Test Switch <i>Contact factory for remote test switch option</i>	<b>S</b> Smooth	<b>WH</b> White

<sup>1</sup> Lutron LDE1 Dimming refers to Lutron Hi-lume 1% EcoSystem LED driver with Soft-on, Fade-to-Black

<sup>2</sup> Lutron L3DAE Dimming refers to Lutron Hi-lume 1% 3-wire LED driver



Engineered and tested,  
all in-house



## Thirty years of experience leading the lighting industry



### A company built around your needs

DMF is proudly dedicated to making lighting simpler. We strive to bring that ethos to every aspect of our company, from the way we design highly flexible, adaptable products to our conveniently located California warehouse.



### Towards a brighter tomorrow

Our in-house labs puts us at the forefront. Here at DMF, we're always on the cutting edge – the exact same place we've been for the past 30 years. Our award winning in-house engineers work tirelessly to find brilliant solutions to today's challenges, and tomorrow's. This unique capability gives us an edge in integrating new technology, future-proofing our products, responding to market demands and understanding your needs.

Learn more at:  
[www.dmflighting.com](http://www.dmflighting.com)





**dmf** Lighting®

1118 East 223rd Street,  
Carson, California 90745

T: 800.441.4422

E: [info@dmflighting.com](mailto:info@dmflighting.com)

[www.dmflighting.com](http://www.dmflighting.com)