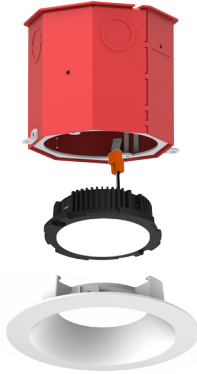


## PRODUCT SPECIFICATIONS



- UL Listed Concrete Tight for use in poured concrete ceiling applications
- Twist & Lock feature for easy trim installation
- 750 & 1000 lumen outputs, powered by Cree 93+ CRI LEDs
- 2700K, 3000K, 3500K, 4000K CCT
- Flicker-free TRIAC/ELV dimming at 120V
- 50,000 hr lifetime at 70% lumen maintenance
- 5 year limited warranty



### Frame-in Kit

**JUNCTION BOX:** Metallic outlet box certified UL514A up to 2 hour fire rating. Equipped with (4) trade size concentric knockouts ( $\frac{3}{4}$ " +  $\frac{1}{2}$ "") to allow straight conduit runs. Approved for 8 (four in, four out) #12 AWG 90°C.

**MOUNTING:** (2) external tabs for wood, steel or concrete form mounting.

**COVER:** Removable top cover for easy access to electrical wiring work prior to concrete pour.

**APPLICATION:** Poured deck (floor) high-rise new construction.

### Light Engine

**LED:** Tightly binned, high performing white Cree® LED.

**LUMEN OUTPUT (POWER):** 750 lm (11.8W), 1000 lm (14.7W).

**COLOR QUALITY:** 93+ CRI, 2-step SDCM.

**CCT OPTIONS:** 2700K, 3000K, 3500K, 4000K.

**CONNECTOR:** PowerPlug® Luminaire Disconnect Model 182.

**INPUT VOLTAGE:** 120/277V.

**DIMMING:** Dimming down to less than 5% for TRIAC/ELV at 120V.

**LIFETIME:** 50,000 hours at 70% lumen maintenance.

**PHOTOMETRIC TESTING:** Tested in accordance to IESNA LM-79-2008.

**LISTINGS:** IC rated. cULus Listed. ENERGY STAR® qualified. California Title 24 JA8 compliant. ASTM E283 certified Air Tight. STC/IIC Sound Rated. UL Concrete Tight. DRDHNJD metallic outlet box certified UL514A up to 2 hour fire rating. UL Listed for Wet Location. CEC listed.

**WARRANTY:** 5 year limited warranty.

### Trim

**CONSTRUCTION:** Die-cast aluminum. Twist & Lock mounting allows easy tool-free field installation and tight ceiling fit.

**SHAPE:** Round, Square.

**FINISH:** White, Custom Color.

**DECORATIVE:** Closed bottom frosted finish, closed bottom clear finish, open bottom frosted finish.

Product Code:		Type:	
Project:		Contact:	Date:



# DRDHNJC

Recessed LED Downlight  
Concrete New Construction  
OneFrame™ - Deep Junction Box

## PRODUCT SELECTION GUIDE

### FRAME-IN KIT

Product Code Example: **DRDHNJC**

PRODUCT CODE	APPLICATION	APERTURE
<b>DRDH</b> Housing	<b>N</b> New Construction	<b>JC</b> Deep Junction Box, Concrete

### LIGHT ENGINE

Product Code Example: **DRD2M7927**

PRODUCT CODE	LUMENS (WATTS)	CRI	CCT
<b>DRD2M</b> Module	<b>7</b> 750 lm (11.8W)	<b>9</b> 93+ CRI	<b>27</b> 2700K
	<b>10</b> 1000 lm (14.7W)		<b>30</b> 3000K
			<b>35</b> 3500K
			<b>40</b> 4000K

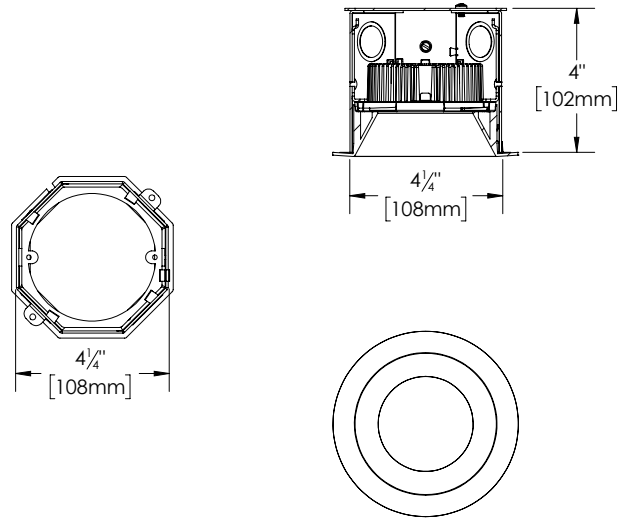
### TRIM

Product Code Example: **DRD2TRJDSWH**

PRODUCT CODE	SHAPE	APERTURE	STYLE	FINISH	DECORATIVE OPTION
<b>DRD2T</b> Trim	<b>R</b> Round <b>S</b> Square	<b>JD</b> Deep Junction Box	<b>S</b> Smooth	<b>WH</b> White	<b>[Blank]</b> None
				<b>BK</b> Black	<b>DCC</b> Closed, Clear Only available in round shape; white or custom color finish
	<b>SW</b> Silver Reflector, White Flange			<b>DCF</b> Closed, Frosted Only available in round shape; white or custom color finish	
	<b>CC</b> Custom Color			<b>DOF</b> Open, Frosted Only available in round shape; white or custom color finish	
					<b>FL</b> Flangeless Only available in round shape; white or custom color finish

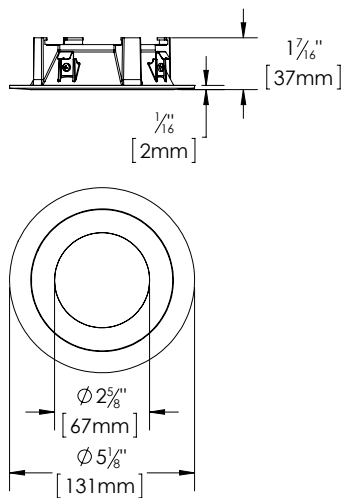
## FRAME-IN KIT DIMENSIONS

**DRDHNJC**  
Deep Junction Box  
Concrete New Construction Frame-in Kit

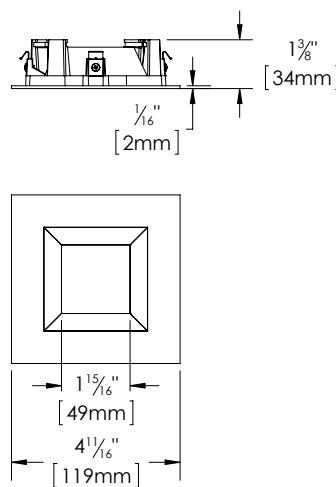


## TRIM DIMENSIONS

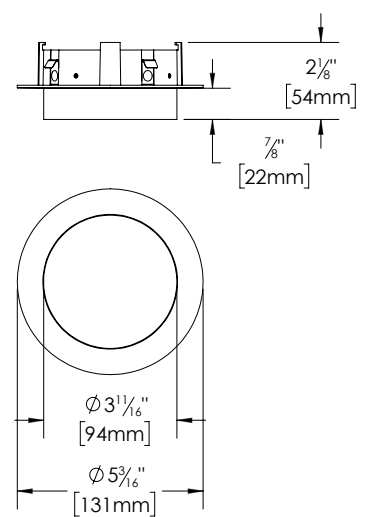
**DRD2TRJDSWH**  
Deep Junction Box  
Round Trim



**DRD2TSJDSWH**  
Deep Junction Box  
Square Trim



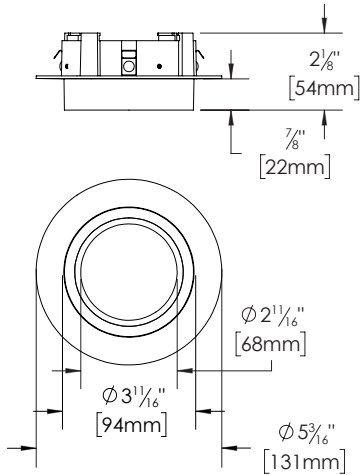
**DRD2TRJDSWHDC/F**  
Deep Junction Box  
Closed Clear/Frosted Decorative Trim



## TRIM DIMENSIONS

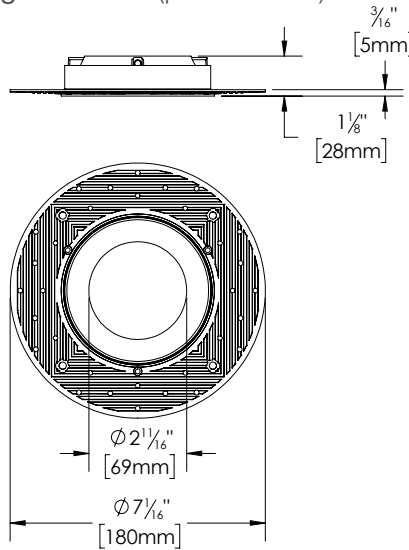
### DRD2TRJDSWHD0F

Deep Junction Box  
Open Frosted Decorative Trim



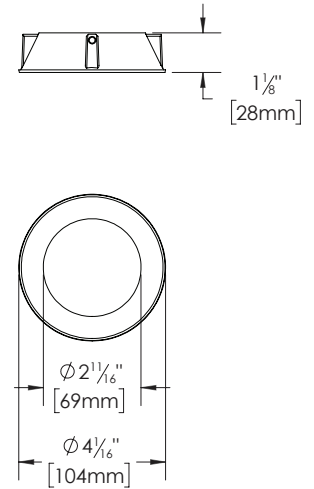
### DRD2TRJDSWHFL

Deep Junction Box  
Flangeless Trim (pre-installed)



### DRD2TRJDSWHFL

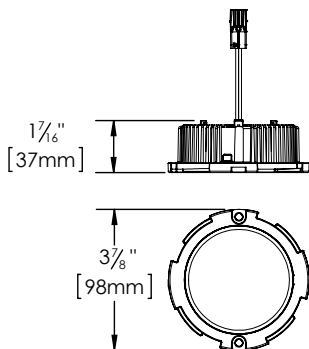
Deep Junction Box  
Flangeless Trim (finished)



## LIGHT ENGINE OVERVIEW

### DRD2M

LED Module

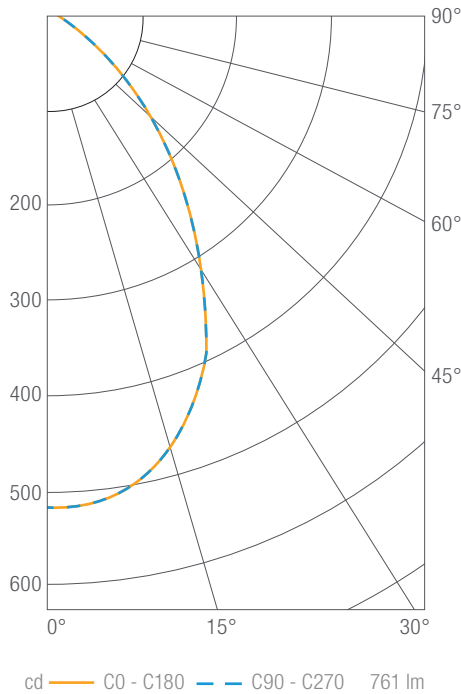


	DRD2M7	DRD2M10
Total Module Lumen Output (lm)	750	1000
Total Rated Power (W)	11.8	14.7
Efficacy (lm/W)	64	68
Color Rendering Index	93+	
CCT Options	2700K, 3000K, 3500K, 4000K	
Optics	Flood	
Binning	2-step SDCM	
Lifetime (L70)	50,000 hours	
Max Ambient Operating Temperature	40°C	
Input Voltage (V)	120/277V, 50/60Hz	
Input Current at 120V (Max)	0.10A	0.13A
Input Current at 277V (Max)	0.042A	0.053A
Power Factor	>0.9	
Total Harmonic Distortion	<20%	
Dimming	100% - 5%	

## PHOTOMETRICS

Light Engine: **DRD2M7930** (DRD2 Module, 750 lm, 93 CRI, 3000K)

Trim: **DRD2TRJDSWH** (DRD2 Trim, Round, Deep Junction Box, Smooth, White)



Luminous Intensity

Gamma	C 0°
0.0°	518
5.0°	516
10.0°	506
15.0°	484
20.0°	447
25.0°	398
30.0°	335
35.0°	263
40.0°	196
45.0°	147
50.0°	110
55.0°	79
60.0°	54
65.0°	36
70.0°	23
75.0°	14
80.0°	9
85.0°	5
90.0°	2

Values in candela

Zonal Lumen Summary

Zone	Lumens	Luminaire %
0-30	361	48
0-40	526	69
0-60	706	93
0-90	761	100
0-180	761	100

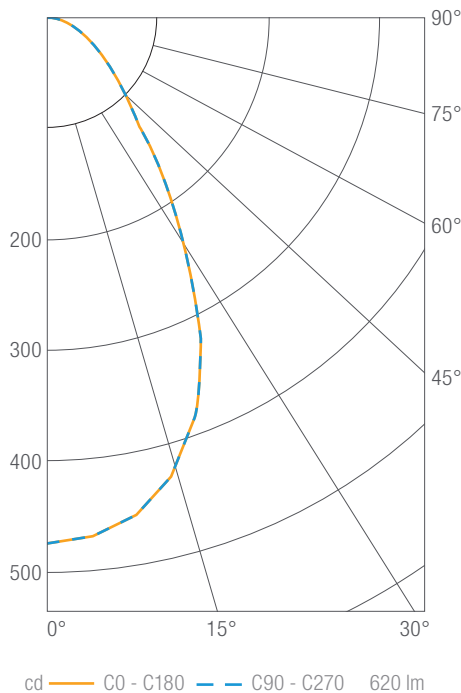
Illuminance Chart

Distance from LED	Foot Candles	Diameter
2.5'	83	3.5'
5.0'	21	7.0'
7.5'	9	10.6'
9.0'	6	12.7'

Beam Angle: 70°

Light Engine: **DRD2M7930** (DRD2 Module, 750 lm, 93 CRI, 3000K)

Trim: **DRD2TSJDSWH** (DRD2 Trim, Square, Deep Junction Box, Smooth, White)



Luminous Intensity

Gamma	C 0°
0.0°	474
5.0°	468
10.0°	455
15.0°	427
20.0°	386
25.0°	331
30.0°	259
35.0°	188
40.0°	137
45.0°	104
50.0°	81
55.0°	62
60.0°	43
65.0°	32
70.0°	25
75.0°	19
80.0°	12
85.0°	7
90.0°	3

Values in candela

Zonal Lumen Summary

Zone	Lumens	Luminaire %
0-30	312	50
0-40	429	69
0-60	563	93
0-90	620	100
0-180	620	100

Illuminance Chart

Distance from LED	Foot Candles	Diameter
2.5'	76	3.1'
5.0'	19	6.1'
7.5'	8	9.2'
9.0'	6	11.0'

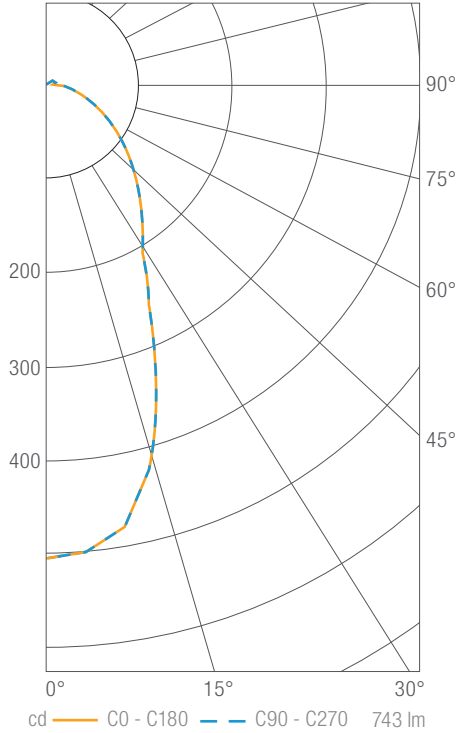
Beam Angle: 63°



## PHOTOMETRICS

Light Engine: **DRD2M7930** (DRD2 Module, 750 lm, 93 CRI, 3000K)

Trim: **DRD2TRJDSWHDCC** (DRD2 Trim, Deep Junction Box, Smooth, White, Decorative, Closed, Clear)



### Luminous Intensity

Gamma	C 0°	Gamma	C 0°
0°	505	95°	6
5°	499	100°	10
10°	478	105°	9
15°	426	110°	8
20°	342	115°	7
25°	259	120°	6
30°	206	125°	5
35°	177	130°	4
40°	156	135°	3
45°	135	140°	2
50°	115	145°	1
55°	97	150°	0
60°	79	155°	0
65°	62	160°	0
70°	48	165°	0
75°	36	170°	0
80°	27	175°	0
85°	19	180°	0
90°	10		

Values in candela

### Zonal Lumen Summary

Zone	Lumens	Luminaire %
0-30	286	39
0-40	398	54
0-60	589	79
0-90	710	96
0-180	743	100
90-180	33	4

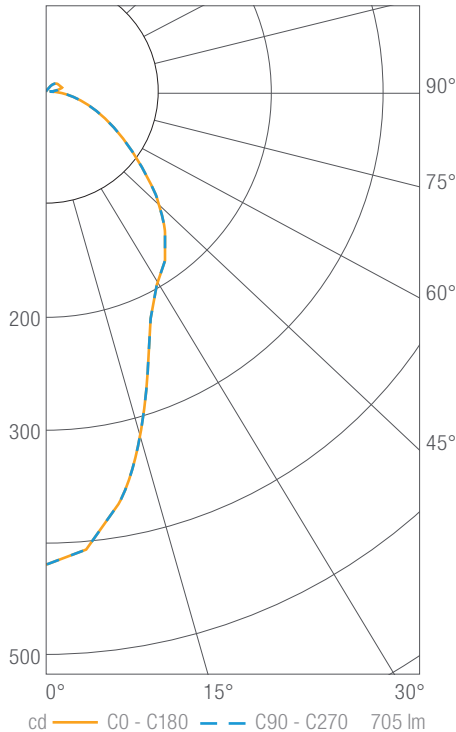
### Illuminance Chart

Distance from LED	Foot Candles	Diameter
3.0'	56	2.9'
6.0'	14	5.8'
9.0'	6	8.6'
12.0'	4	11.5'

Beam Angle: 51°

Light Engine: **DRD2M7930** (DRD2 Module, 750 lm, 93 CRI, 3000K)

Trim: **DRD2TRJDSWHDCCF** (DRD2 Trim, Deep Junction Box, Smooth, White, Decorative, Closed, Frosted)



### Luminous Intensity

Gamma	C 0°	Gamma	C 0°
0°	420	95°	4
5°	409	100°	12
10°	373	105°	14
15°	320	110°	13
20°	264	115°	13
25°	222	120°	13
30°	199	125°	11
35°	183	130°	10
40°	165	135°	8
45°	142	140°	7
50°	118	145°	5
55°	94	150°	2
60°	74	155°	1
65°	58	160°	1
70°	45	165°	1
75°	34	170°	1
80°	24	175°	1
85°	17	180°	0
90°	9		

Values in candela

### Zonal Lumen Summary

Zone	Lumens	Luminaire %
0-30	231	33
0-40	345	49
0-60	539	76
0-90	651	92
0-180	705	100
90-180	54	8

### Illuminance Chart

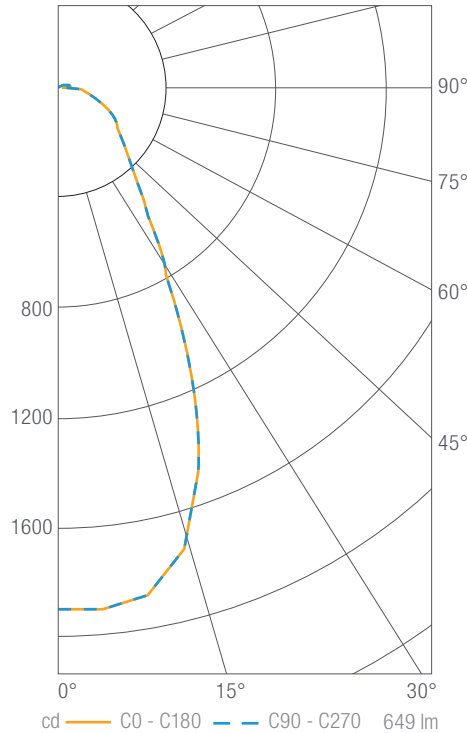
Distance from LED	Foot Candles	Diameter
3.0'	47	3.1'
6.0'	12	6.2'
9.0'	5	9.3'
12.0'	3	12.4'

Beam Angle: 55°

## PHOTOMETRICS

Light Engine: **DRD2M7930** (DRD2 Module, 750 lm, 93 CRI, 3000K)

Trim: **DRD2TRJDSWHDOF** (DRD2 Trim, Deep Junction Box, Smooth, White, Decorative, Open, Frosted)



### Luminous Intensity

Gamma	C 0°	Gamma	C 0°
0°	476	95°	9
5°	479	100°	10
10°	471	105°	8
15°	439	110°	6
20°	376	115°	5
25°	288	120°	4
30°	200	125°	2
35°	144	130°	1
40°	113	135°	1
45°	93	140°	0
50°	78	145°	0
55°	67	150°	0
60°	60	155°	0
65°	52	160°	0
70°	41	165°	0
75°	32	170°	0
80°	26	175°	0
85°	21	180°	0
90°	0		

Values in candela

### Zonal Lumen Summary

Zone	Lumens	Luminaire %
0-30	296	46
0-40	388	60
0-60	521	80
0-90	625	96
0-180	649	100
90-180	25	4

### Illuminance Chart

Distance from LED	Foot Candles	Diameter
3.0'	53	3.1'
6.0'	13	6.3'
9.0'	6	9.4'
12.0'	3	12.5'

Beam Angle: 55°

Light Engine: **DRD2M10930** (DRD2 Module, 1000 lm, 93 CRI, 3000K)

### Lumen Scaling

DRD2M7 (750 lm)	DRD2M10 (1000 lm)
1.00	1.33

Light Engine: **DRD2M7927, DRD2M7935, DRD2M7940**

### CCT Scaling

DRD2M7927 (2700K)	DRD2M7930 (3000K)	DRD2M7935 (3500K)	DRD2M7940 (4000K)
0.93	1.00	1.00	1.07



### DIMMER COMPATIBILITY

#### Recommended Phase-control Dimmers (Dims down to 5% nominal measured light output)

Brand	Series	Model Number	Max Load DRD2M7	Max Load DRD2M10
Control 4	Control 4	C4-APD120	10	9
Cooper	Decorator	DLC03P, DAL06P	25	20
Legrand	Adorne	ADTP703TU	35	30
Lutron	Caseta	PD-6WCL	12	10
	CL Series	AYCL-153, CTCL-153, DVCL-153, LGCL-513, SCL-153, TGCL-513	12	10
	CL Series	AYCL-253, DVCL-253	20	15
	Grafik Eye 3000	QSGR-3P	30	25
	Grafik Sys / Homeworks	RPM-4A	25	20
	Grafik Sys / Homeworks	RPM-4U	30	25
	Maestro CL	MACL-153M, MSCL-OP153M, MSCL-VP153M	12	10
Maestro Wireless	MRF2-6ELV, MRF2-6CL	12	10	

#### Compatible Phase-control Dimmers<sup>1</sup> (Dims down to 20% nominal measured light output)

Brand	Series	Model Number	Max Load DRD2M7	Max Load DRD2M10
Cooper	Slide	SLC03P, SAL06P	25	20
Legrand	Harmony	H703PTU, HCL453P	30	25
Leviton	IllumaTech Slide	IPE04	25	20
	SureSlide	6621, 6674	10	10
Lutron	Diva	DV-600	12	10
	Maestro	MA-600	12	9
	Maestro ELV	MAELV-600, MSCELV-600	35	30
	Maestro Wireless	MRF2-6ND	12	10
	Radio RA	RRD-6NA, RRD-6CL, RRD-6D	12	10
	Power Booster	PHPM-PA, PHPM-WBX	25	20
	Sunrise	SR400RPC120, ZP260QEW	20	15
Watt Stopper	Digital Light Management	LMRC-221	160	150
	Dimming Sensor	PW-100D	14	12

<sup>1</sup> Dimmer compatibility reflects performance compatibility only. Please reference your local codes for application.