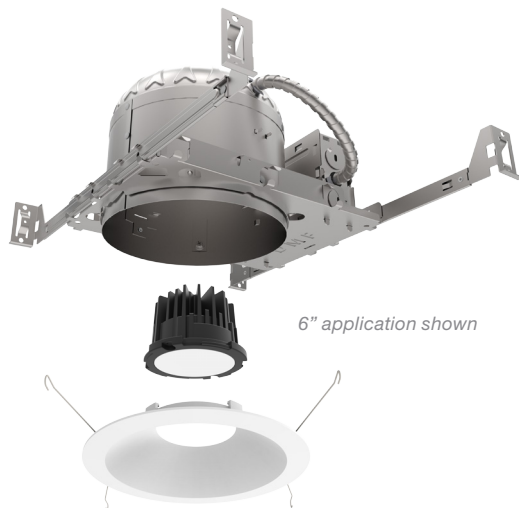


PRODUCT SPECIFICATIONS



- Versatile LED luminaire for 120/277V general applications
- Easy, tool-free installation, including Twist & Lock trim feature
- 1500, 2000 lumen outputs, powered by Cree 90+ CRI LEDs
- Available 2700K, 3000K, 3500K, 4000K CCT
- Flicker-free TRIAC/ELV, 0-10V or Lutron Hi-lume 1% dimming
- 50,000 hour lifetime (L70)
- 5 year limited warranty

Dimmable

50000 hrs lifetime

Warranty

UL listed for wet location

Twist & lock

Frame-in Kit

HOUSING: 20 ga. die-formed aluminum (5" frame-in kit), 22 ga. die-formed aluminum (6" frame-in kit), 20 ga. die-formed aluminum (6" shallow frame-in kit).

JUNCTION BOX: Galvanized steel. Equipped with (6) 1/2" and (1) 3/4" knockouts with pryout slots to allow straight conduit runs. (4) knockouts for non-metallic sheathed cable installation. Junction box tension spring allows snap-in installation of plate cover for easy access to wiring. Approved for 8 (four-in, four-out) #12 AWG 90 through wire conductors.

MOUNTING: Pre-installed adjustable bar hangers engineered to accommodate lumber, laminated beams and T-bar.

CEILING: 1/2" up to 1".

CUTOUT: 5 3/4" (5" frame-in kit), 6 3/8" (6" frame-in kit, 6" shallow frame-in kit).

Light Engine

LED: Next generation Cree® chip-on-board LED.

LUMEN OUTPUT (POWER): 1500 lm (19.5W), 2000 lm (29.0W).

COLOR QUALITY: 90+ CRI, 2-step SDCM.

CCT OPTIONS: 2700K, 3000K, 3500K, 4000K.

CONNECTOR: PowerPlug® Luminaire Disconnect Model 182.

INPUT VOLTAGE: 120/277V.

DIMMING: Down to less than 1% for 0-10V or Lutron Hi-lume® 1% at 120/277V.

EMERGENCY LIGHTING: Optional Emergency LED Driver for lighting up to 90 minutes in event of power failure.

LIFETIME: 50,000 hours at 70% lumen maintenance.

PHOTOMETRIC TESTING: Tested in accordance to IESNA LM-79-2008.

LISTINGS: cULus Listed. IC rated. ENERGY STAR® qualified. California Title 24 JA8 compliant. ASTM E283 certified Air Tight. UL Listed for Wet Location. CEC listed.

WARRANTY: 5 year limited warranty.

Trim

CONSTRUCTION: Die-cast aluminum. Twist & Lock mounting allows easy tool-free field installation and tight ceiling fit.

Product Code:		Type:	
Project:		Contact:	Date:



PRODUCT SELECTION GUIDE

FRAME-IN KIT (Product Code Example: **DRDHNIC5150**)

PRODUCT CODE	APPLICATION	IC/NON-IC	APERTURE	DRIVER	OPTION
DRDH Housing	N New Construction	IC Insulation Contact	5 5" Aperture	150 0-10V, 1500 Im	[Blank] None
			6 6" Aperture	200 0-10V, 2000 Im	EM Emergency Driver
			6S 6" Shallow	15C Lutron LDE1 ¹ , 1500 Im	
				20C Lutron LDE1 ¹ , 2000 Im	
				15W Lutron L3DA3W ² , 1500 Im	
				20W Lutron L3DA3W ² , 2000 Im	

LIGHT ENGINE (Product Code Example: **DCD1M15927A**)

PRODUCT CODE	LUMENS (WATTS)	CRI	CCT	CONSTRUCTION
DCD1M Module	15 1500 Im (19.5W)	9 90+ CRI	27 2700K	A Alternate Construction
	20 2000 Im (29.0W)		30 3000K	
			35 3500K	
			40 4000K	

TRIM (Product Code Example: **DRD2TR5SWH**)

PRODUCT CODE	SHAPE	APERTURE	STYLE	FINISH
DRD2T Trim	R Round	5 5" Aperture	S Smooth	WH White
	D Deep <i>Only available in 6" aperture; smooth or baffle style; white, low iridescent or custom finish</i>	6 6" Aperture	B Baffle	BK Black
			W Wall Wash <i>Only available in white finish</i>	SW Silver Reflector, White Flange
				AZ Low Iridescent Reflector, White Flange <i>Only available in deep shape</i>
				CC Custom Color

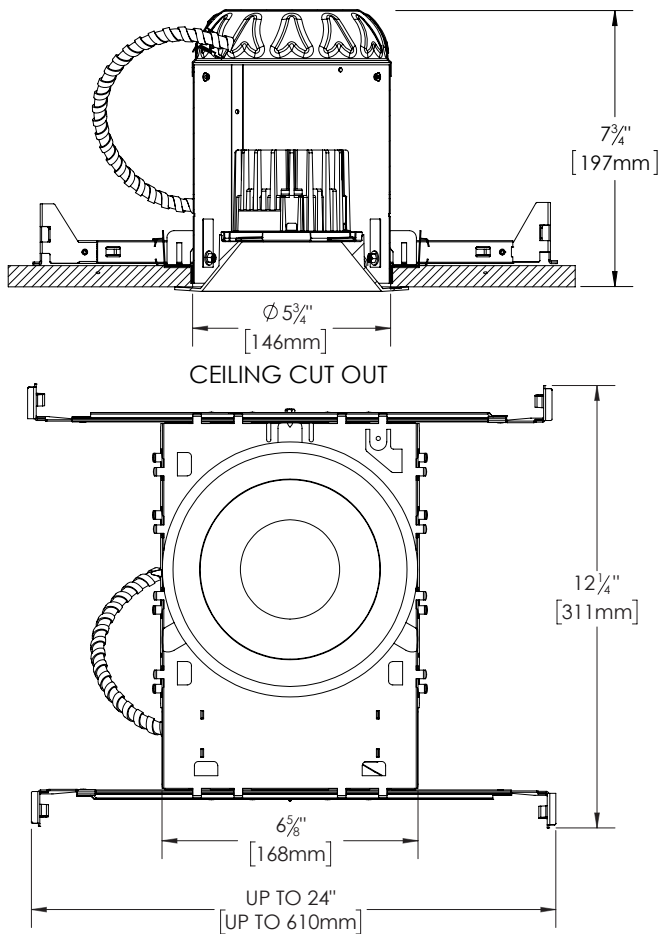
¹ Lutron LDE1 Dimming refers to Lutron Hi-lume 1% EcoSystem LED driver with Soft-on, Fade-to-Black™

² Lutron L3DAE Dimming refers to Lutron Hi-lume 1% 3-wire LED driver

FRAME-IN KIT DIMENSIONS

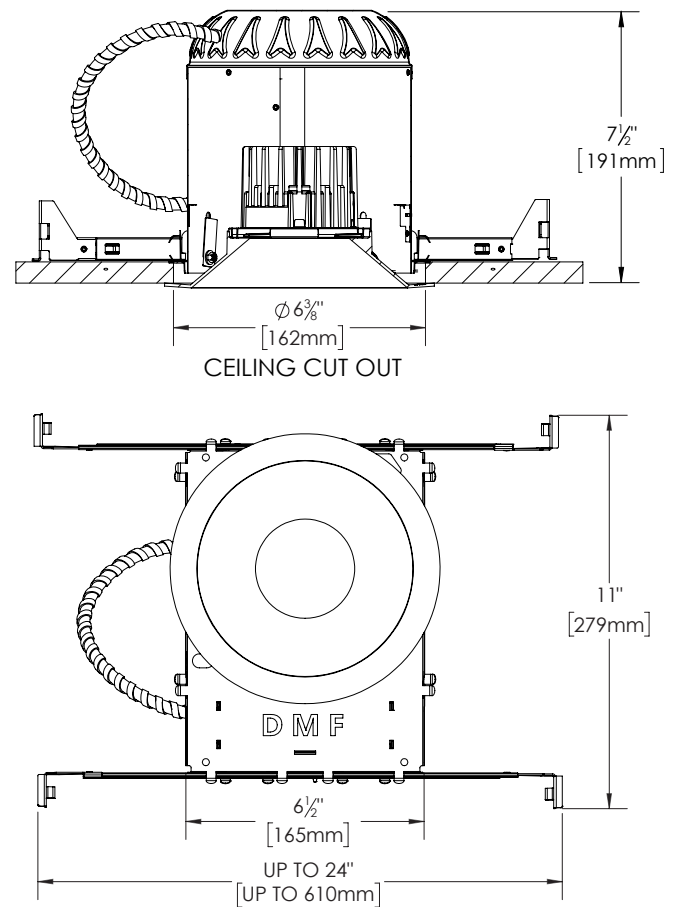
DRDHNIC5

5" New Construction IC Frame-in Kit



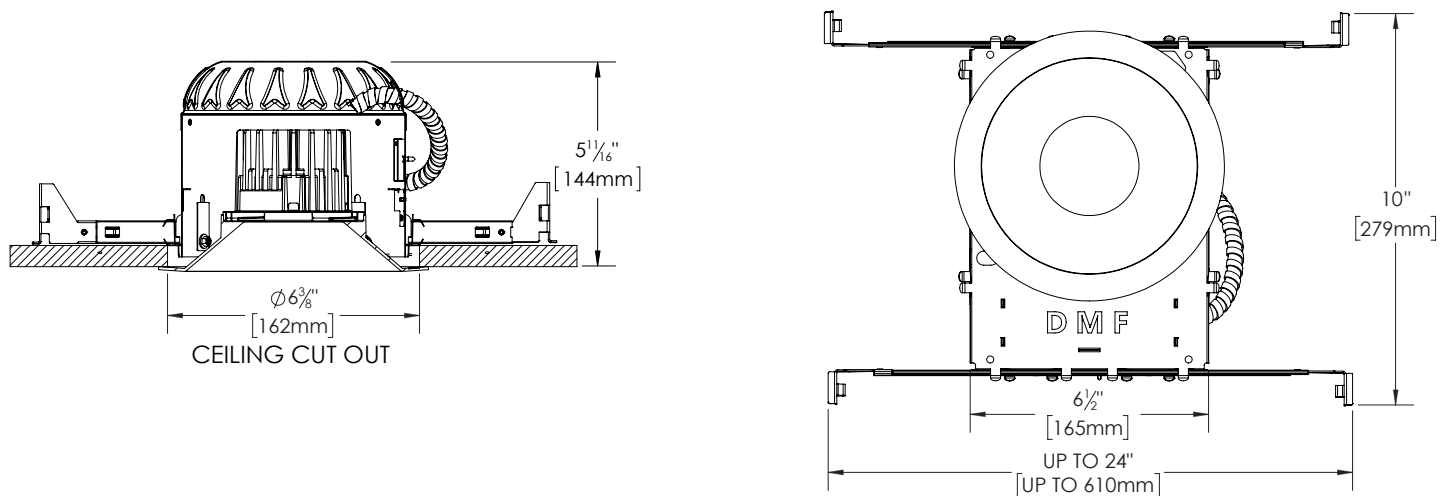
DRDHNIC6

6" New Construction IC Frame-in Kit



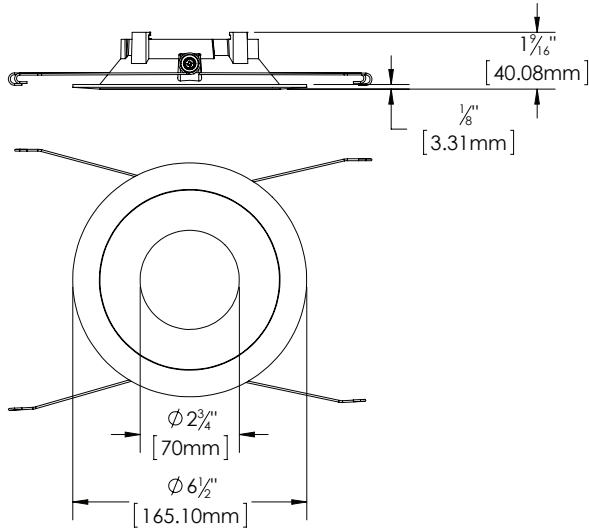
DRDHNIC6S

6" Shallow New Construction IC Frame-in Kit

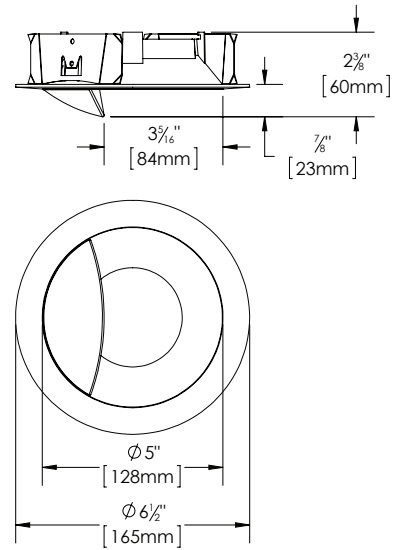


TRIM DIMENSIONS

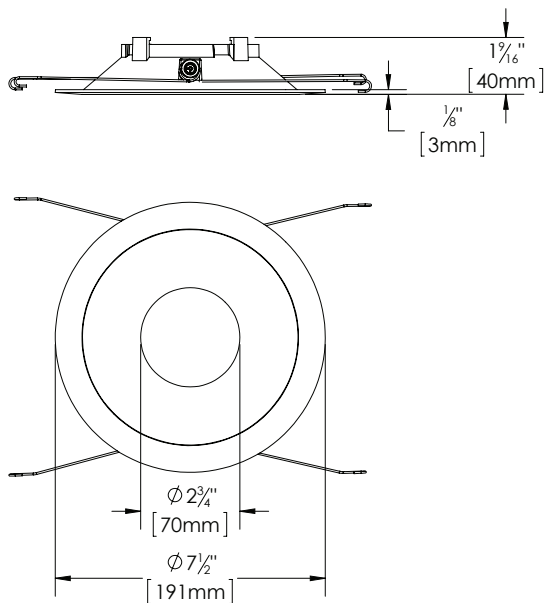
DRD2TR5
5" Round Trim



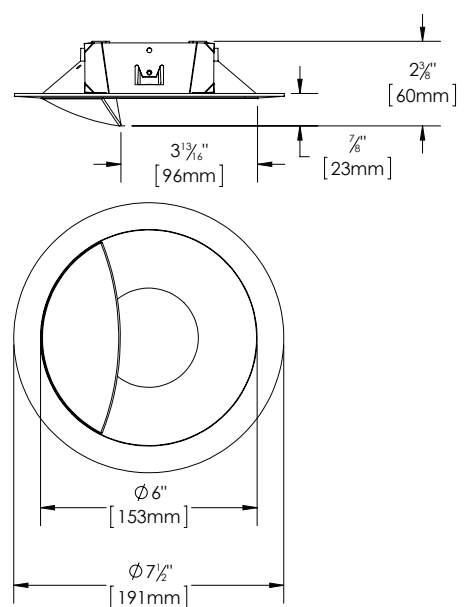
DRD2TR5W
5" Wall Wash Trim



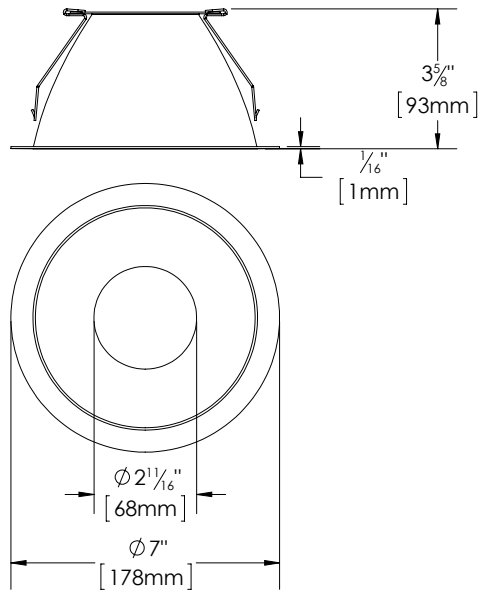
DRD2TR6
6" Round Trim



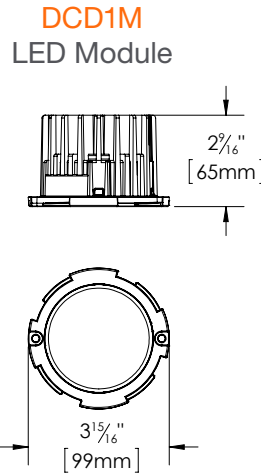
DRD2TR6W
6" Wall Wash Trim



TRIM DIMENSIONS

DRD2TD6
6" Deep Trim

LIGHT ENGINE OVERVIEW

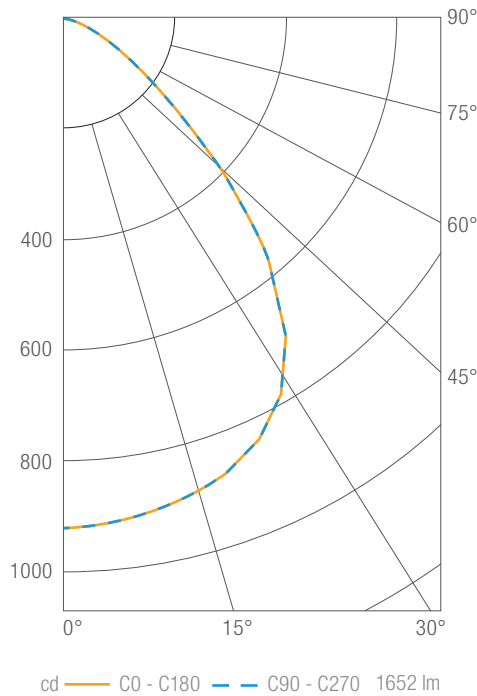


	DCD1M15	DCD1M20
Total Module Lumen Output (lm)	1500	2000
Total Rated Power (W)	19.5	29.0
Efficacy (lm/W)	77	69
Color Rendering Index	90+	
CCT Options	2700K, 3000K, 3500K, 4000K	
Optics	Flood	
Binning	2-step SDCM	
Lifetime (L70)	50,000 hours	
Max Ambient Operating Temperature	40°C	
Input Voltage (V)	38VDC (light engine), 120 or 277VAC (luminaire), 50/60Hz	
Input Current at 120V (Max)	0.26A	0.37A
Input Current at 277V (Max)	0.12A	0.16A
Power Factor	>0.9	
Total Harmonic Distortion	<20%	
Dimming	100% - 1% (0-10V, Lutron Hi-lume 1%)	

PHOTOMETRICS

Light Engine: **DCD1M15930A** (DCD1 Module, 1500 lm, 90 CRI, 3000K)

Trim: **DRD2TR6SWH** (DRD2 Trim, 6" Aperture, Smooth, White)



Luminous Intensity

Gamma	C 0°
0°	851
5°	847
10°	838
15°	824
20°	804
25°	775
30°	727
35°	649
40°	539
45°	403
50°	272
55°	178
60°	117
65°	75
70°	42
75°	20
80°	10
85°	4
90°	0

Values in candela

Zonal Lumen Summary

Zone	Lumens	Luminaire %
0-30	669	41
0-40	1070	65
0-60	1546	94
0-90	1652	100
0-180	1652	100

Illuminance Chart

Distance from LED	Foot Candles	Diameter
3.0'	95	5.8'
6.0'	24	11.6'
9.0'	11	17.4'
12.0'	6	23.3'

Beam Angle: 88°

Light Engine: **DCD1M20930A** (DCD1 Module, 2000 lm, 90 CRI, 3000K)

Lumen Scaling

DCD1M15 (1500 lm)	DCD1M20 (2000 lm)
1.00	1.33

Light Engine: **DCD1M15927, DCD1M15935, DCD1M15940**

CCT Scaling

DCD1M15927 (2700K)	DCD1M15930 (3000K)	DCD1M15935 (3500K)	DCD1M15940 (4000K)
0.93	1.00	1.00	1.07



DIMMER COMPATIBILITY

Recommended 0-10V Dimmers (Dims down to 1% nominal measured light output)

Brand	Series	Model Number	Max Load DCD1M15	Max Load DCD1M20
Legrand	Titan	CD4FB	97	71
Leviton	IllumaTech	IP710-DLZ	46	34
Lithonia	Synergy	ISD BC	46	34
Lutron	Diva	DVTV	73	54
	Nova	NFTV	110	78
	Nova	NTSTV-DV	105	76
Watt Stopper	Micro Decorator Style	DCLV1	135	95