



PRODUCT SPECIFICATIONS



4" Recessed Mount with 4" Frame-in Kit shown

- All-in-one LED luminaire for retrofit, remodel, and new construction
- Slim, drawn aluminum construction
- Easy, tool-less installation for 4", 5" or 6" recessed housings
- 750 lumens of pleasing, low glare light, powered by Lumileds LEDs
- 120V operation with flicker-free TRIAC/ELV dimming down to 10%
- 50,000 hour lifetime (L70)
- 5 year limited warranty



Dimmable



50000 hrs lifetime



Warranty 5 yr



UL listed for wet location

Frame-in Kit

HOUSING: Die-formed steel with powder coat finish (4" frame-in kit, 4" shallow frame-in kit), 20 ga. die-formed aluminum (5" frame-in kit), 22 ga. die-formed aluminum (6" frame-in kit), 20 ga. die-formed aluminum (6" shallow frame-in kit) fastened to 22 ga. steel mounting frame.

JUNCTION BOX: Galvanized steel. Equipped with (6) 1/2" and (1) 3/4" knockouts with pryout slots to allow straight conduit runs. (4) knockouts for non-metallic sheathed cable installation. Junction box tension spring allows snap-in installation of plate cover for easy access to wiring. Approved for 8 (four-in, four-out) #12 AWG 90 through wire conductors.

MOUNTING: Pre-installed adjustable bar hangers engineered to accommodate lumber, laminated beams and T-bar.

CEILING: 1/2" up to 1".

CUTOUT: 4 3/8" (4" frame-in kit, 4" shallow frame-in kit), 5 3/4" (5" frame-in kit), 6 3/8" (6" frame-in kit, 6" shallow frame-in kit).

Luminaire

LED: Tightly binned Lumileds LED.

LUMEN OUTPUT: 700 lm (recessed), 750 lm (surface mount).

POWER: 13W.

CRI: 90+.

CCT: 2700K, 3000K, 4000K.

BINNING: Color variation within 3-step MacAdam ellipse (SDCM).

CONNECTOR: IDEAL PowerPlug® Luminaire Disconnect, female.

DRIVER: Integral electronic driver for 120V 50/60Hz operation. Electronic driver compatible with forward and reverse phase-control dimming at 120V only.

DIMMING: TRIAC/ELV for 120V only with flicker-free dimming down to 10% of total lumen output.

LIFETIME: 50,000 hours at 70% lumen maintenance

PHOTOMETRIC TESTING: Tested in accordance to IESNA LM-79-2008.

TRIM: Slim, drawn-aluminum construction.

LISTINGS: IC rated. cULus Listed. ENERGY STAR® qualified. Title 24 compliant. ASTM E283 certified Air Tight. UL Listed for Wet Location. CEC listed.

WARRANTY: 5 year limited warranty.

Installation

HOUSINGS: Compatible with 4" frame-in kits (4" surface mount, 4" recessed); 4", 5" and 6" frame-in kits (6" surface mount); 6" frame-in kits (6" recessed).

Product Code:		Type:	
Project:		Contact:	Date:



PRODUCT SELECTION GUIDE

FRAME-IN KIT (Product Code Example: **DRDHNIC4**)

PRODUCT CODE	APPLICATION	IC/NON-IC	APERTURE
DRDH Housing	N New Construction	IC Insulation Contact	4 4" Aperture
			4S 4" Shallow
			5 5" Aperture
			6 6" Aperture
			6S 6" Shallow

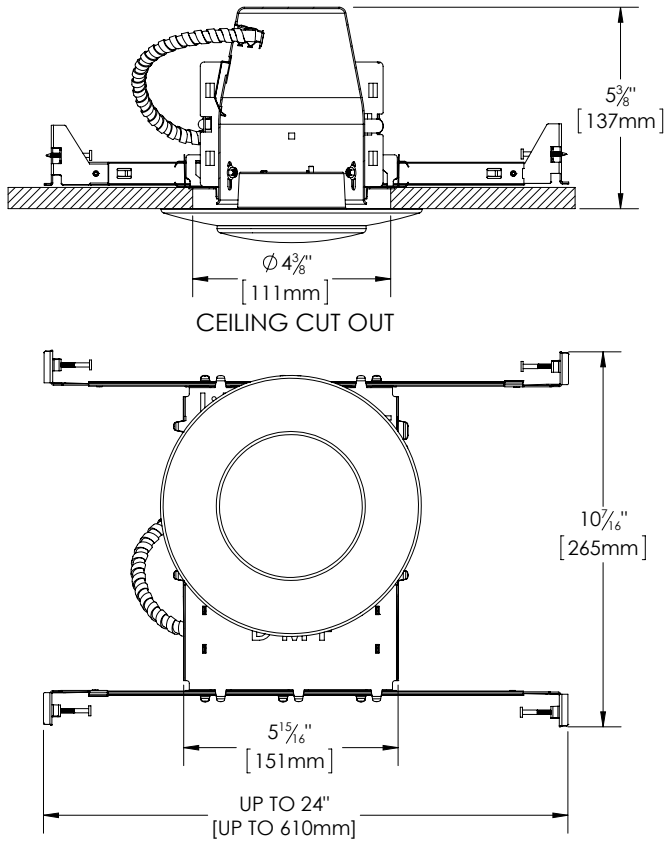
LUMINAIRE (Product Code Example: **DRD1S427**)

PRODUCT CODE	PROFILE	CCT
DRD1 Luminaire	S4 4" Surface Mount	27 2700K
	S6 6" Surface Mount	30 3000K
	R4 4" Recessed	40 4000K
	R6 4" Recessed	

FRAME-IN KIT DIMENSIONS

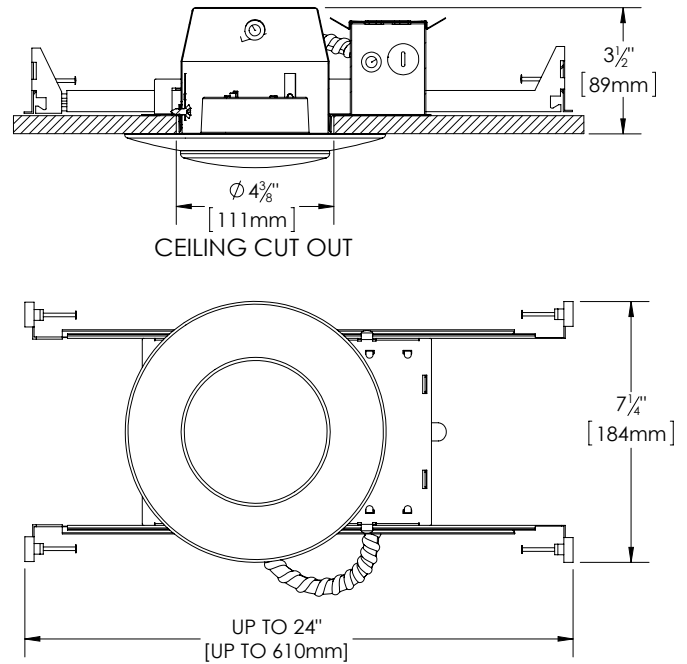
DRDHNIC4

4" New Construction IC Frame-in Kit



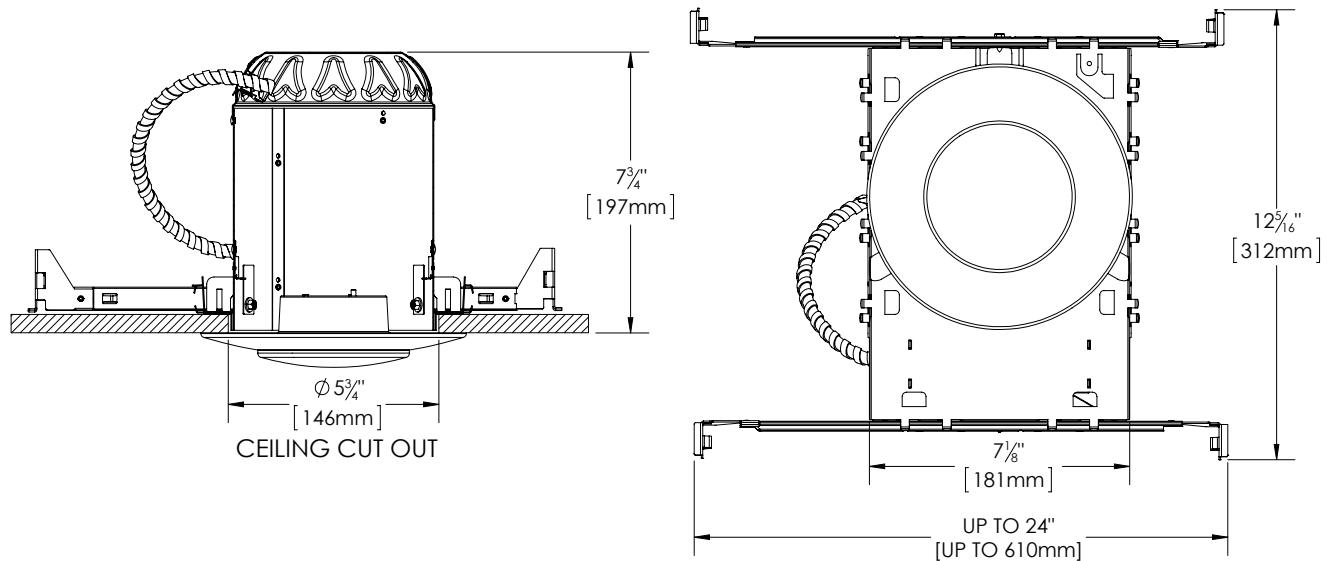
DRDHNIC4S

4" Shallow New Construction IC Frame-in Kit



DRDHNIC5

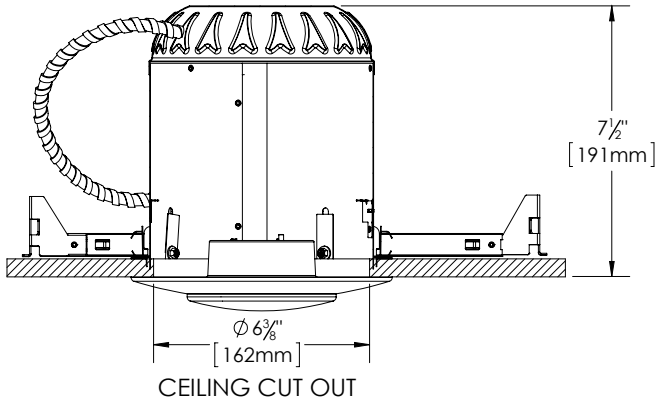
5" New Construction IC Frame-in Kit



FRAME-IN KIT DIMENSIONS

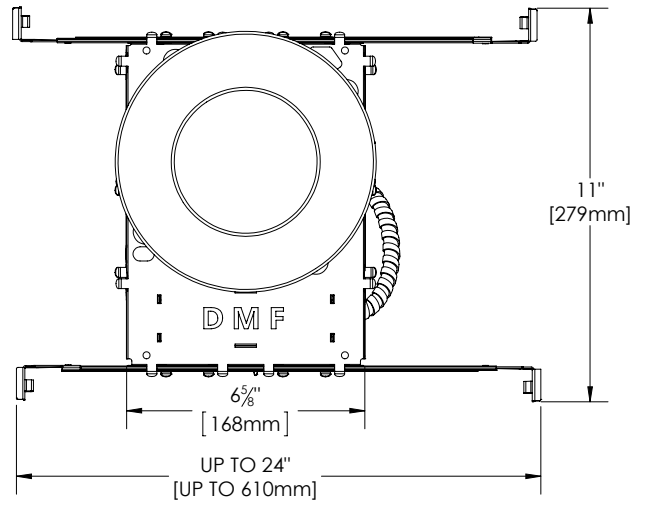
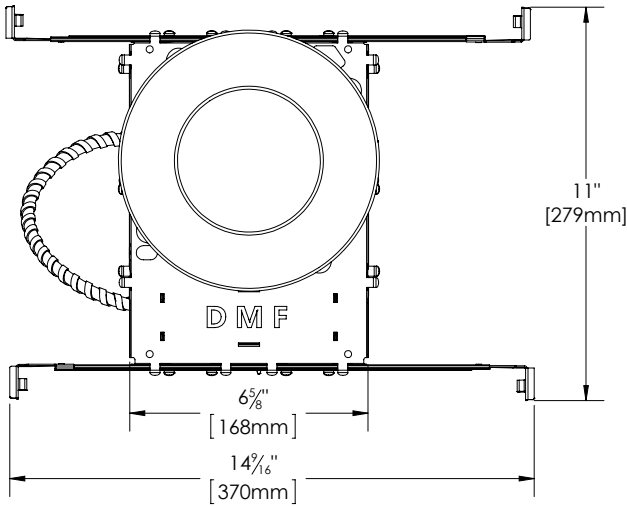
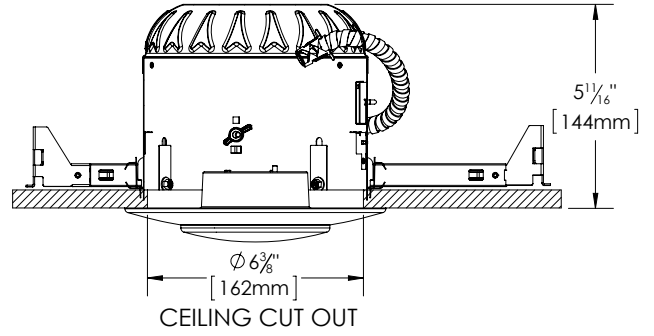
DRDHNIC6

6" New Construction
 IC Frame-in Kit



DRDHNIC6S

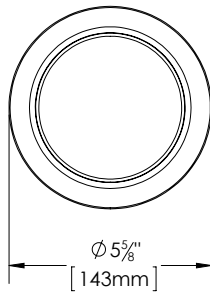
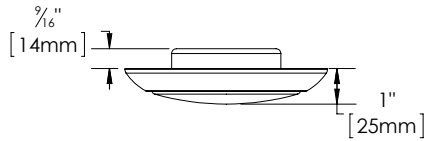
6" Shallow New Construction
 IC Frame-in Kit



LUMINAIRE OVERVIEW

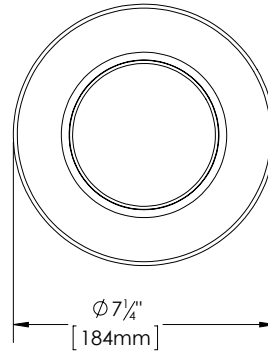
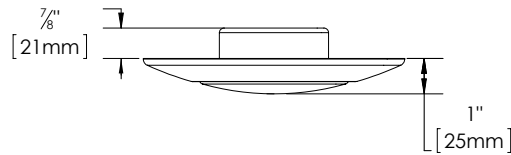
DRD1S4

4" Surface Mount LED



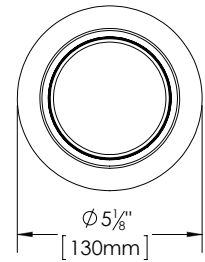
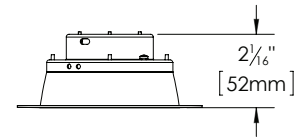
DRD1S6

6" Surface Mount LED



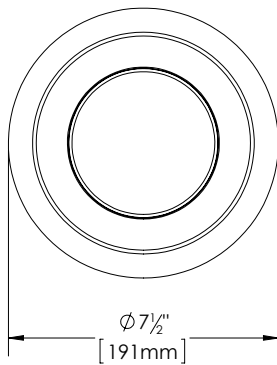
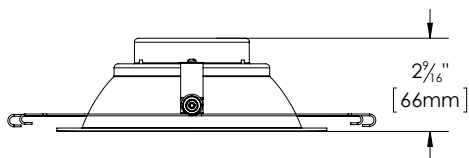
DRD1R4

4" Recessed LED



DRD1R6

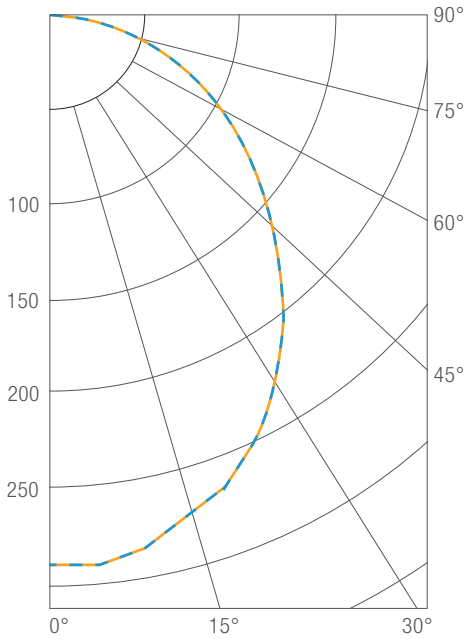
6" Recessed LED



	DRD1S	DRD1R
Total Delivered Lumen Output (lm)	750	700
Total Rated Power (W)	13.0	13.0
Efficacy (lm/W)	58	54
Color Rendering Index	90+	
CCT Options	2700K, 3000K, 4000K	
Optics	Wide Flood	Flood
Binning	3-step SDCM	
Lifetime (L70)	50,000 hours	
Max Ambient Operating Temperature	40°C	
Input Voltage (V)	120V, 50/60Hz	
Input Current at 120V (Max)	0.11A	
Power Factor	>0.9	
Total Harmonic Distortion	<13%	
Dimming	100% - 10%	

PHOTOMETRICS

Luminaire: **DRD1Sx30** (DRD1 Surface Mount Luminaire, 750 lm, 90 CRI, 3000K)



cd — C0 - C180 — C90 - C270 755 lm

Luminous Intensity

Gamma	C 0°
0.0°	290
5.0°	291
10.0°	286
15.0°	276
20.0°	265
25.0°	251
30.0°	232
35.0°	213
40.0°	192
45.0°	169
50.0°	148
55.0°	127
60.0°	106
65.0°	86
70.0°	68
75.0°	50
80.0°	30
85.0°	12
90.0°	0

Values in candela

Zonal Lumen Summary

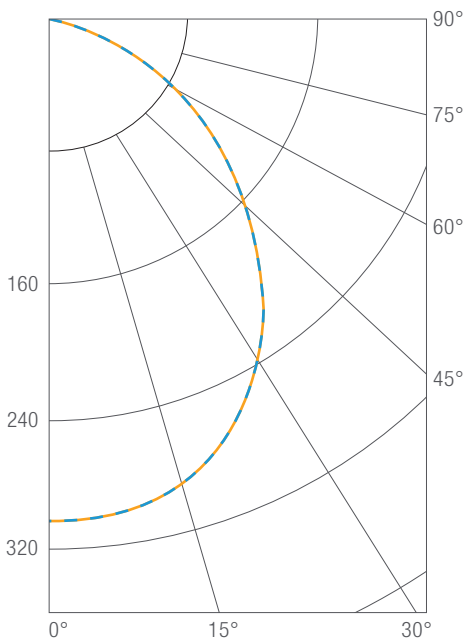
LED Module	Flux (lm)	Power (W)	Downlight Spacing (ft)	Average Illuminance (fcd)	Max/Min	LPD (W/sq ft)
DRD1S430 DRD1S630	755	13.0	4 x 4	47	1.44	0.79
			6 x 6	23	1.20	0.42
			8 x 8	12	1.40	0.20

Calculation Area: 50' (L) x 40' (W) x 10' (H)
LLF 1.0, 80/50/20 Reflectance, 2.5' (H) Workplane
Spacing Criteria: 1.22

Zonal Lumen Summary

Zone	Lumens	Luminaire %
0-30	221	29
0-40	354	47
0-60	600	80
0-90	755	100
0-180	755	100

Luminaire: **DRD1R430** (DRD1 4" Recessed Luminaire, 700 lm, 90 CRI, 3000K)



cd — C0 - C180 — C90 - C270 710 lm

Luminous Intensity

Gamma	C 0°
0.0°	303
5.0°	303
10.0°	300
15.0°	293
20.0°	283
25.0°	268
30.0°	249
35.0°	226
40.0°	200
45.0°	171
50.0°	142
55.0°	112
60.0°	85
65.0°	62
70.0°	42
75.0°	27
80.0°	16
85.0°	10
90.0°	3

Values in candela

Zonal Lumen Summary

LED Module	Flux (lm)	Power (W)	Downlight Spacing (ft)	Average Illuminance (fcd)	Max/Min	LPD (W/sq ft)
DRD1R430	755	13.0	4 x 4	42	1.43	0.78
			6 x 6	21	1.15	0.41
			8 x 8	11	1.35	0.19

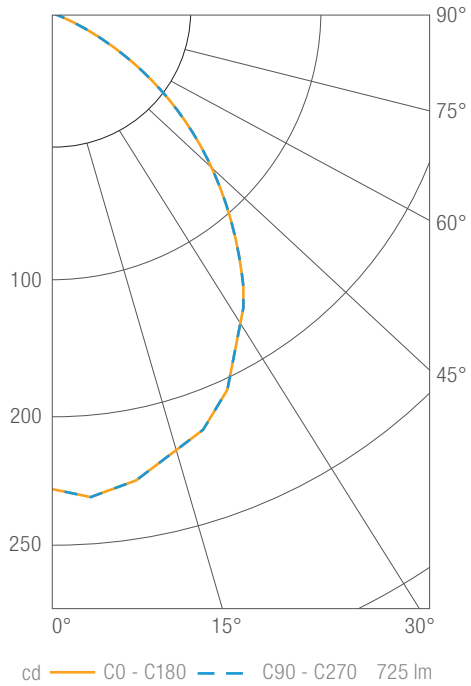
Calculation Area: 50' (L) x 40' (W) x 10' (H)
LLF 1.0, 80/50/20 Reflectance, 2.5' (H) Workplane
Spacing Criteria: 1.22

Zonal Lumen Summary

Zone	Lumens	Luminaire %
0-30	235	33
0-40	376	53
0-60	608	86
0-90	710	100
0-180	710	100

PHOTOMETRICS

Luminaire: **DRD1R630** (DRD1 6" Recessed Luminaire, 700 lm, 90 CRI, 3000K)



Luminous Intensity

Gamma	C 0°
0.0°	357
5.0°	363
10.0°	356
15.0°	344
20.0°	332
25.0°	310
30.0°	281
35.0°	251
40.0°	216
45.0°	176
50.0°	137
55.0°	102
60.0°	70
65.0°	46
70.0°	28
75.0°	15
80.0°	4
85.0°	1
90.0°	0

Values in candela

Zonal Lumen Summary

LED Module	Flux (lm)	Power (W)	Downlight Spacing (ft)	Average Illuminance (fcd)	Max/Min	LPD (W/sq ft)
DRD1R630	725	13.0	4 x 4	48	1.37	0.79
			6 x 6	23	1.14	0.42
			8 x 8	12	1.27	0.20

Calculation Area: 50' (L) x 40' (W) x 10' (H)

LLF 1.0, 80/50/20 Reflectance, 2.5' (H) Workplane

Spacing Criteria: 1.22

Zonal Lumen Summary

Zone	Lumens	Luminaire %
0-30	274	38
0-40	430	59
0-60	659	91
0-90	725	100
0-180	725	100

**DIMMER COMPATIBILITY**

Recommended Phase-control Dimmers (Dims down to 10% nominal measured light output)

Brand	Series	Model Number	Max Load
Control 4	Control 4	C4-APD120	9
Cooper	Decorator	DLC03P, DAL06P	22
Leviton	Decora Sureslide	6615	23
	Vizia	VPE04-ILZ	29
	Vizia	VPE06-ILZ	44
Lutron	Ariadni	AYLV-600P, AYLV-603P	11
	Diva	DVELV-300P, DVELV-303P, DVSCELV-300P, DVSCELV-303P	23
	Maestro	MAELV-600, MAELV-600-S, MSCELV-600M	34
	Maestro Wireless	MRF2-6ND-120, MRF2-6ELV-120	11
	Radio RA2	RRD-6NA	34
	Skylark	S-600	11
	Skylark	S-1000	18
	Skylark	SELV-300	11
Phillips	Sunrise	SLV-600P, SLV-603P	11
		SR400RPC120	31

¹ Dimmer compatibility reflects performance compatibility only. Please reference your local codes for application.