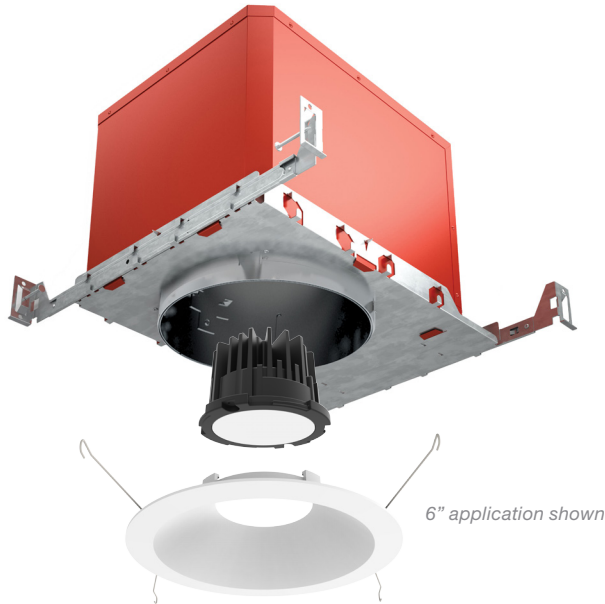


PRODUCT SPECIFICATIONS



- Fire Rated: UL Listed fire resistance rated for up to two hours
- Sound Rated: Constructed to dampen unwanted noise
- 1500 & 2000 lumen outputs
- 2700K, 3000K, 3500K, 4000K CCT
- 0-10V or Lutron Hi-lume 1% dimming
- IC rated, cULus Listed, ENERGY STAR® qualified, Title 24 compliant, UL Fire Listed, UL Listed for Wet Location, ASTM E283 certified Air Tight

Frame-in Kit

HOUSING: Fire and sound-rated housing. Up to 120 minute fire rated L500 (floor-ceiling) & P500 (roof-ceiling) design. Die formed #24 gauge galvanized steel construction. Snap on galvanized cover. Non-combustible matt insulation.

JUNCTION BOX: Pre-wired #18 gauge galvanized steel junction box with (7) 1/2" knockouts and (4) Romex® knockouts and removable plates. Supplied with quick connectors for easy installation. Through branch wiring maximum of (8) #12 AWG 90°C branch circuit connectors (four-in, four-out).

MOUNTING: Pre-installed adjustable bar hangers engineered to accommodate lumber, laminated beams and T-bar.

CEILING: 1/2" up to 1".

CUTOUT: 5 3/4" (5" frame-in kit), 6 3/8" (6" frame-in kit).

Light Engine

LED: Next generation Cree® chip-on-board LED.

LUMEN OUTPUT (POWER): 1500 lm (19.5W), 2000 lm (29.0W).

COLOR QUALITY: 90+ CRI, 2-step SDCM.

CCT OPTIONS: 2700K, 3000K, 3500K, 4000K.

CONNECTOR: PowerPlug® Luminaire Disconnect Model 182.

INPUT VOLTAGE: 120/277V.

DIMMING: Down to less than 1% for 0-10V or Lutron Hi-lume® 1% at 120/277V.

EMERGENCY LIGHTING: Optional Emergency LED Driver for lighting up to 90 minutes in event of power failure. Access above ceiling required.

LIFETIME: 50,000 hours at 70% lumen maintenance.

PHOTOMETRIC TESTING: Tested in accordance to IESNA LM-79-2008.

LISTINGS: cULus Listed. IC rated. ENERGY STAR® qualified. California Title 24 JA8 compliant. ASTM E283 certified Air Tight. Fire Rated. STC/IIC Sound Rated. UL Listed for Wet location.

WARRANTY: 5 year limited warranty.

Trim

CONSTRUCTION: Die-cast aluminum. Twist & Lock mounting allows easy tool-free field installation and tight ceiling fit.



Product Code:		Type:	
Project:		Contact:	Date:



PRODUCT SELECTION GUIDE

FRAME-IN KIT (Product Code Example: **F5L150**)

APERTURE	FIRE RATING	DRIVER	OPTION
F5L 5" Aperture	[Blank] 1 Hour Fire Rating	15O 0-10V, 1500 lm	[Blank] None
F6L 6" Aperture	2 2 Hour Fire Rating	20O 0-10V, 2000 lm 15C Lutron LDE1 ¹ , 1500 lm 20C Lutron LDE1 ¹ , 2000 lm 15W Lutron L3DA3W ² , 1500 lm 20W Lutron L3DA3W ² , 2000 lm	EM Emergency Driver <i>Access above ceiling required</i>

LIGHT ENGINE (Product Code Example: **DCD1M15927A**)

PRODUCT CODE	LUMENS (WATTS)	CRI	CCT	CONSTRUCTION
DCD1M Module	15 1500 lm (19.5W) 20 2000 lm (29.0W)	9 90+ CRI	27 2700K 30 3000K 35 3500K 40 4000K	A Alternate Construction

TRIM (Product Code Example: **DRD2TR5SWH**)

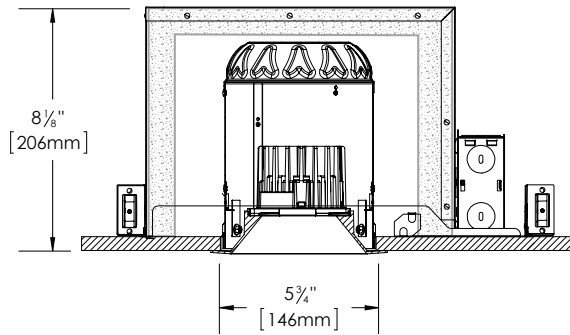
PRODUCT CODE	SHAPE	APERTURE	STYLE	FINISH
DRD2T Trim	R Round D Deep <i>Only available in 6" aperture; smooth or baffle style; white, low iridescent or custom finish</i>	5 5" Aperture 6 6" Aperture	S Smooth B Baffle W Wall Wash <i>Only available in white finish</i>	WH White BK Black SW Silver Reflector, White Flange AZ Low Iridescent Reflector, White Flange <i>Only available in deep shape</i> CC Custom Color

¹ Lutron LDE1 Dimming refers to Lutron Hi-lume 1% EcoSystem LED driver with Soft-on, Fade-to-Black™

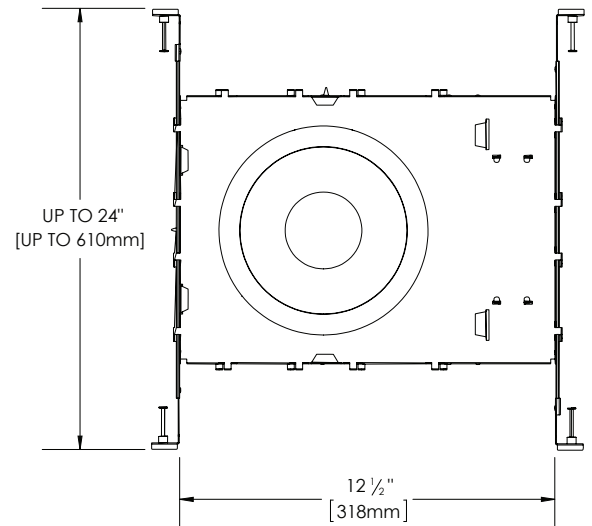
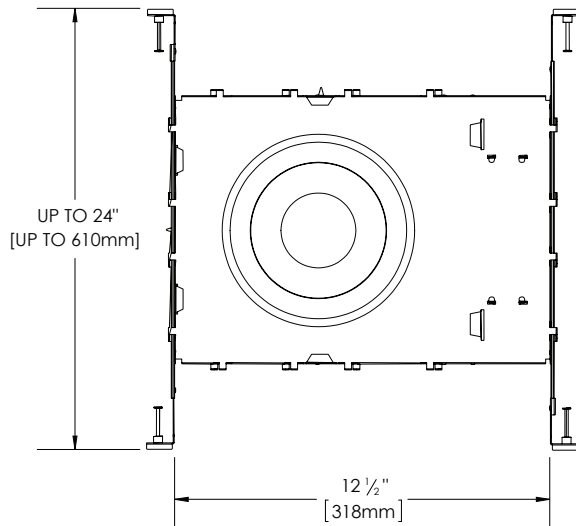
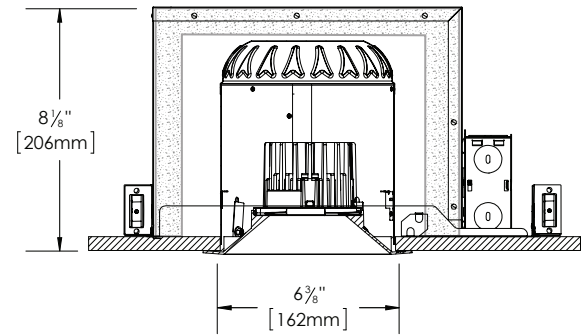
² Lutron L3DAE Dimming refers to Lutron Hi-lume 1% 3-wire LED driver

FRAME-IN KIT DIMENSIONS

F5L
5" Fire Rated Housing

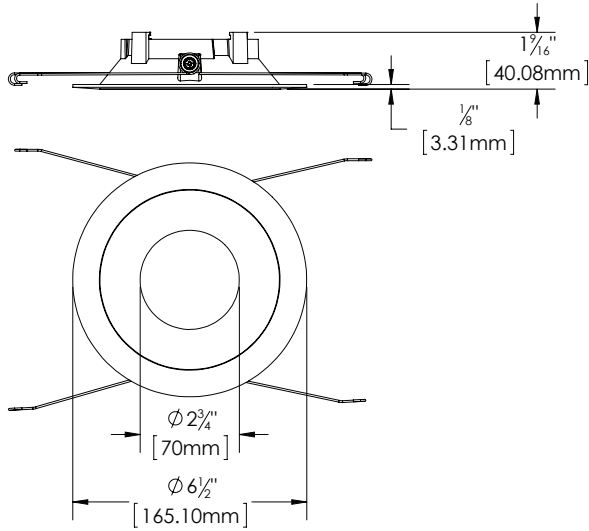


F6L
6" Fire Rated Housing

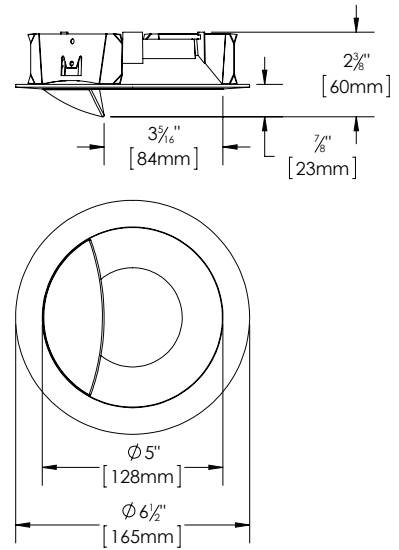


TRIM DIMENSIONS

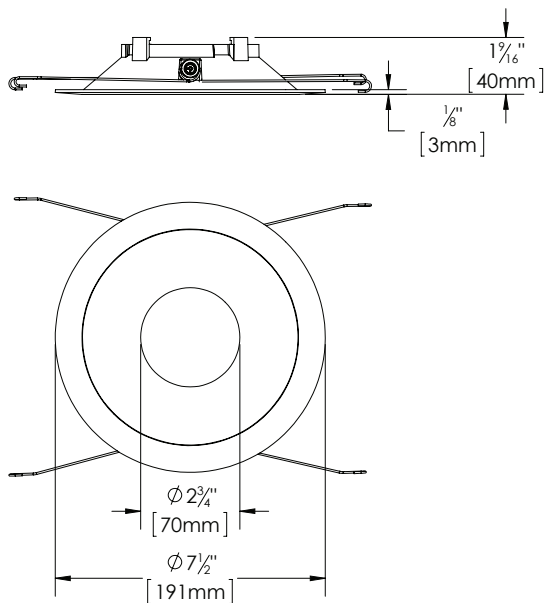
DRD2TR5
5" Round Trim



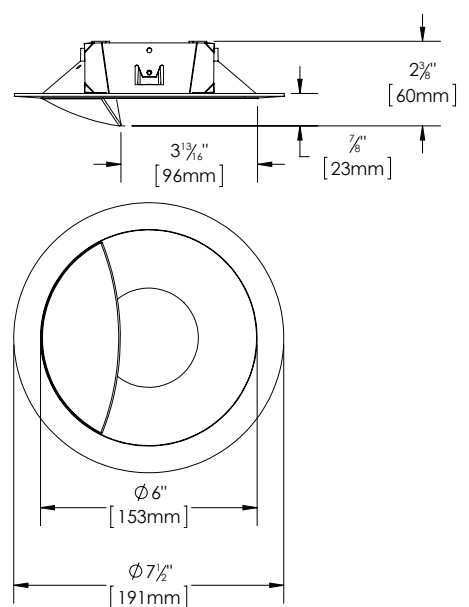
DRD2TR5W
5" Wall Wash Trim



DRD2TR6
6" Round Trim

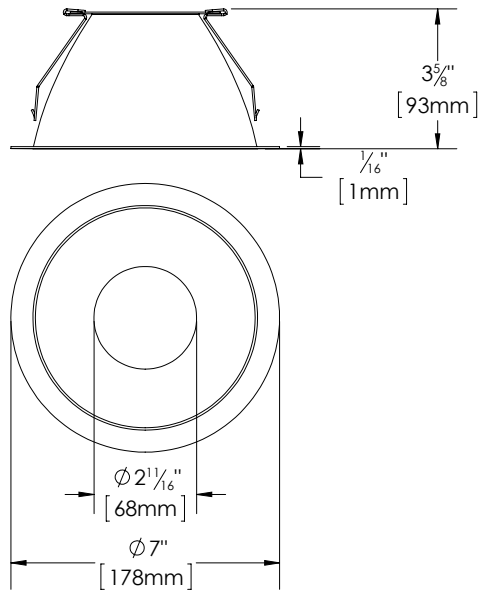


DRD2TR6W
6" Wall Wash Trim

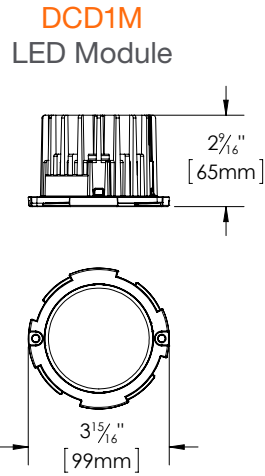


TRIM DIMENSIONS

DRD2TD6
6" Deep Trim



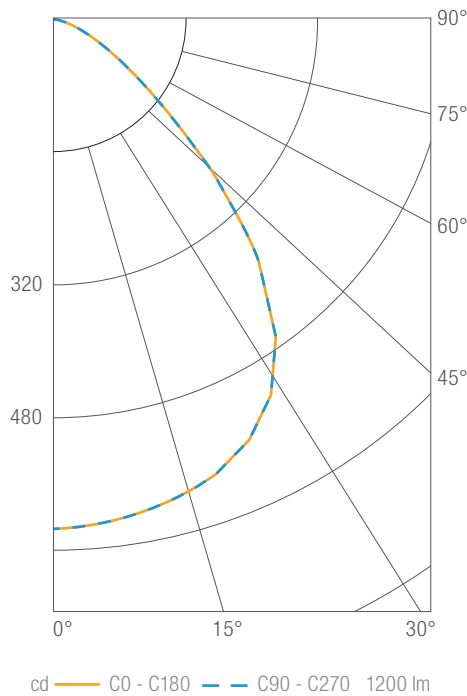
LIGHT ENGINE OVERVIEW



	DCD1M10	DCD1M15	DCD1M20
Total Module Lumen Output (lm)	1000	1500	2000
Total Rated Power (W)	13.6	19.5	29.0
Efficacy (lm/W)	74	77	69
Color Rendering Index	90+		
CCT Options	2700K, 3000K, 3500K, 4000K		
Optics	Flood		
Binning	2-step SDCM		
Lifetime (L70)	50,000 hours		
Max Ambient Operating Temperature	40°C		
Input Voltage (V)	38VDC (light engine), 120 or 277VAC (luminaire), 50/60Hz		
Input Current at 120V (Max)	0.20A	0.26A	0.37A
Input Current at 277V (Max)	0.10A	0.12A	0.16A
Power Factor	>0.9		
Total Harmonic Distortion	<20%		
Dimming	100% - 5% (TRIAC/ELV), 100% - 10% (0-10V), 100% - 1% (Lutron Hi-lume 1%)		

PHOTOMETRICS

Light Engine: **DCD1M10930A** (DCD1 Module, 1000 lm, 90 CRI, 3000K)
Trim: **DRD2TR6SWH** (DRD2 Trim, 6" Aperture, Smooth, White)



Luminous Intensity

Gamma	C 0°
0°	618
5°	615
10°	609
15°	598
20°	584
25°	563
30°	528
35°	471
40°	391
45°	293
50°	197
55°	129
60°	85
65°	55
70°	31
75°	15
80°	7
85°	3
90°	0

Values in candela

Zonal Lumen Summary

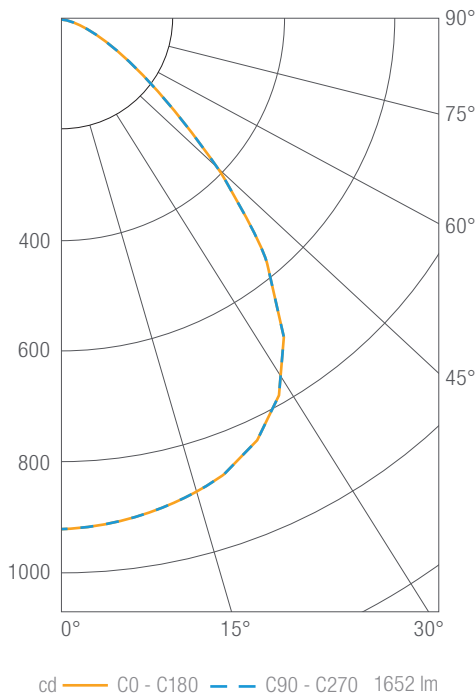
Zone	Lumens	Luminaire %
0-30	486	41
0-40	777	65
0-60	1123	94
0-90	1200	100
0-180	1200	100

Illuminance Chart

Distance from LED	Foot Candles	Diameter
3.0'	69	5.8'
6.0'	17	11.6'
9.0'	8	17.4'
12.0'	4	23.3'

Beam Angle: 88°

Light Engine: **DCD1M15930A** (DCD1 Module, 1500 lm, 90 CRI, 3000K)
Trim: **DRD2TR6SWH** (DRD2 Trim, 6" Aperture, Smooth, White)



Luminous Intensity

Gamma	C 0°
0°	851
5°	847
10°	838
15°	824
20°	804
25°	775
30°	727
35°	649
40°	539
45°	403
50°	272
55°	178
60°	117
65°	75
70°	42
75°	20
80°	10
85°	4
90°	0

Values in candela

Zonal Lumen Summary

Zone	Lumens	Luminaire %
0-30	669	41
0-40	1070	65
0-60	1546	94
0-90	1652	100
0-180	1652	100

Illuminance Chart

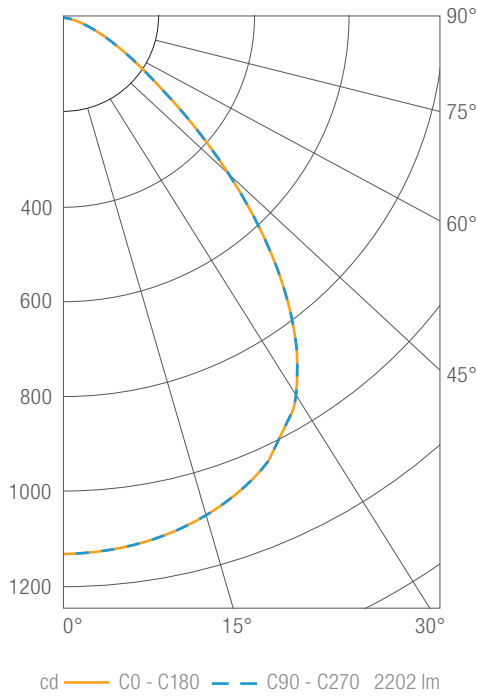
Distance from LED	Foot Candles	Diameter
3.0'	95	5.8'
6.0'	24	11.6'
9.0'	11	17.4'
12.0'	6	23.3'

Beam Angle: 88°

PHOTOMETRICS

Light Engine: **DCD1M20930A** (DCD1 Module, 2000 lm, 90 CRI, 3000K)

Trim: **DRD2TR6SWH** (DRD2 Trim, 6" Aperture, Smooth, White)



Luminous Intensity

Gamma	C 0°
0°	1135
5°	1129
10°	1117
15°	1098
20°	1072
25°	1033
30°	969
35°	865
40°	718
45°	538
50°	362
55°	237
60°	156
65°	100
70°	56
75°	27
80°	13
85°	5
90°	0

Values in candela

Zonal Lumen Summary

Zone	Lumens	Luminaire %
0-30	892	41
0-40	1426	65
0-60	2062	94
0-90	2202	100
0-180	2202	100

Illuminance Chart

Distance from LED	Foot Candles	Diameter
3.0'	126	5.8'
6.0'	32	11.6'
9.0'	14	17.4'
12.0'	8	23.3'

Beam Angle: 88°

Light Engine: **DCD1Mxx927A, DCD1Mxx935A, DCD1Mxx940A**

Trim: **DRD2TR6SWH** (DRD2 Trim, 6" Aperture, Smooth, White)

CCT Scaling

DCD1Mxx927A (2700K)	DCD1Mxx930A (3000K)	DCD1Mxx935A (3500K)	DCD1Mxx940A (4000K)
0.93	1.00	1.00	1.07



DIMMER COMPATIBILITY

Recommended Phase-control Dimmers (Dims down to 5% nominal measured light output)

Brand	Series	Model Number	Max Load DCD1M10	Max Load DCD1M15	Max Load DCD1M20
Cooper	Decorator	DLC03P, DAL06P	17	10	8
Legrand	Adorne	ADTP703TU	28	17	14
Lutron	Caseta	PD-6WCL	9	6	4
	CL Series	AYCL-153, CTCL-153, DVCL-153, LGCL-513, SCL-153, TGCL-513	9	5	4
	CL Series	DVCL-253	15	9	7
	Grafik Eye 3000	QSGR-3P	18	13	9
	Grafik Sys / Homeworks	RPM-4U	18	11	9
	Grafik Sys / Homeworks	RPM-4A	20	13	10
	Maestro	MA-600	9	5	4
	Maestro CL	MACL-153M, MSCL-OP153M, MSCL-VP153M	9	5	4
	Maestro ELV	MAELV-600, MSCELV-600	26	16	13
	Maestro Wireless	MRF2-6ELV, MRF2-6CL, MRF2-6ND	9	6	4
Radio RA	RRD-6NA, RRD-6CL, RRD-6D	9	6	4	

Compatible Phase-control Dimmers¹ (Dims down to 20% nominal measured light output)

Brand	Series	Model Number	Max Load DCD1M10	Max Load DCD1M15	Max Load DCD1M20
Cooper	Aspire	9573	17	10	8
	Slide	SLC03P, SAL06P	17	10	8
Legrand	Harmony	H703PTU, HCL453P	25	14	12
Leviton	IllumaTech Slide	IPE04	18	11	9
	SureSlide	6621, 6674	8	5	4
Lutron	Diva	DV-600	8	5	4
	Skylark	S-600, SLV-600	9	6	4
	Skylark	S-1000	14	8	7
	Skylark ELV	SELV-300	19	11	9
Lightolier	Sunrise	SR400RPC120, ZP260QEW	15	9	7
Watt Stopper	Digital Light Management	LMRC-221	132	97	68
	Dimming Sensor	PW-100D	47	29	23

¹ Dimmer compatibility reflects performance compatibility only. Please reference your local codes for application.



DIMMER COMPATIBILITY

Recommended 0-10V Dimmers (Dims down to 10% nominal measured light output)

Brand	Series	Model Number	Max Load DCD1M10	Max Load DCD1M15	Max Load DCD1M20
Legrand	Titan	CD4FB	138	97	71
Leviton	IllumaTech	IP710-DLZ	65	46	34
Lithonia	Synergy	ISD BC	65	46	34
Lutron	Diva	DVTV	103	73	54
	Nova	NFTV	154	110	78
	Nova	NTSTV-DV	137	105	76
Watt Stopper	Micro Decorator Style	DCLV1	192	135	95