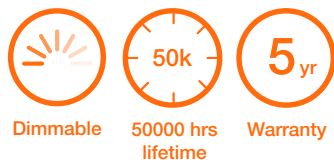


## PRODUCT SPECIFICATIONS



- Slim, 2" aperture
- Versatile 13°, 28° and 45° beam spreads
- 900 lumen outputs
- 90+ CRI
- Flicker-free TRIAC/ELV or 0-10V dimming
- 50,000 hr lifetime at 70% lumen maintenance
- 5 year limited warranty



### Frame-in Kit

**MOUNTING FRAME:** Available in IC and non-IC solutions. Includes tool free adjustable bar hangers suitable for 12" - 24" joist spacing and T-bar ceilings.

**IC INSTALLATION:** Junction box connected to mounting frame and requires access above ceiling.

**NON-IC INSTALLATION:** Junction box connected to light engine housing and accessible through ceiling cutout.

**CEILING THICKNESS:** ½" to 1".

**CEILING CUTOUT:** 2 7/8".

### Light Engine

**LED:** Tightly binned, high performing white Cree® LED.

**LUMEN OUTPUT (POWER):** 900 lm (16.6W).

**COLOR QUALITY:** 90+ CRI, 2-step SDCM.

**CCT:** 2700K, 3000K, 3500K, 4000K.

**OPTICS:** Spot (13°), Narrow Flood (28°), Flood (45°).

**HOUSING:** Die-cast aluminum with black powder coating finish. Includes heatsink and driver compartment. Adjustable mounting clips with spring screws that can be tightened from below ceiling to secure housing in place.

**CONNECTOR:** PowerPlug® Luminaire Disconnect Model 182 (TRIAC/ELV), Model 102 (0-10V).

**INPUT VOLTAGE:** 120/277V.

**DIMMING:** Dimming down to less than 5% for TRIAC/ELV at 120V or 0-10V at 120/277V.

**LIFETIME:** 50,000 hours at 70% lumen maintenance.

**PHOTOMETRIC TESTING:** Tested in accordance to IESNA LM-79-2008.

**LISTINGS:** IC rated (IC model). cULus Listed. ENERGY STAR® qualified. California Title 24 2016 JA8 compliant. ASTM E283 certified Air Tight. UL Listed for Damp Location.

**WARRANTY:** 5 year limited warranty.

### Trim

**TRIM:** Die-cast aluminum available in downlight or wall wash distributions. Ballcatch mounting allows for easy tool-free field installation and tight ceiling fit.

Product Code:	Type:	
Project:	Contact:	Date:



# LD2

## RECESSED LED DOWNLIGHT Architectural New Construction 2" Aperture

### PRODUCT SELECTION GUIDE

---

#### FRAME-IN KIT (Product Code Example: **LD2NCI1**)

PRODUCT CODE	APPLICATION
<b>LD2</b> Mounting Frame	<b>NCI1</b> New Construction, IC, 120V <b>NCI010</b> New Construction, IC, 120/277V with 0-10V Dimming <b>NCN</b> New Construction, Non-IC

#### LIGHT ENGINE (Product Code Example: **LD29927I13T1**)

PRODUCT CODE	LUMENS (WATTS)	CRI	CCT	INSTALLATION	BEAM	DRIVER
<b>LD2</b> Module	<b>9</b> 900 lm (16.6W)	<b>9</b> 90+ CRI	<b>27</b> 2700K	<b>I</b> IC	<b>13</b> 13°	<b>T1</b> TRIAC, 120V
			<b>30</b> 3000K	<b>R</b> Non-IC	<b>28</b> 28°	<b>1010</b> 0-10V, 120V
			<b>35</b> 3500K		<b>45</b> 45°	<b>2010</b> 0-10V, 277V
			<b>40</b> 4000K			

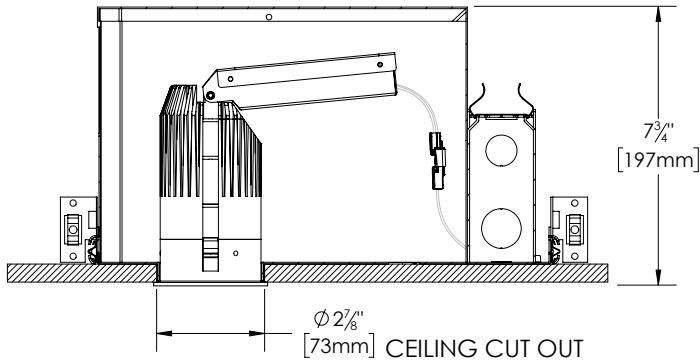
#### TRIM (Product Code Example: **LD2W**)

PRODUCT CODE	FINISH	STYLE
<b>LD2</b> Trim	<b>W</b> White	<b>[Blank]</b> Smooth
	<b>B</b> Black	<b>WW</b> Wall Wash
	<b>DW</b> Diffused Silver Reflector w/ White Flange	

## FRAME-IN KIT DIMENSIONS

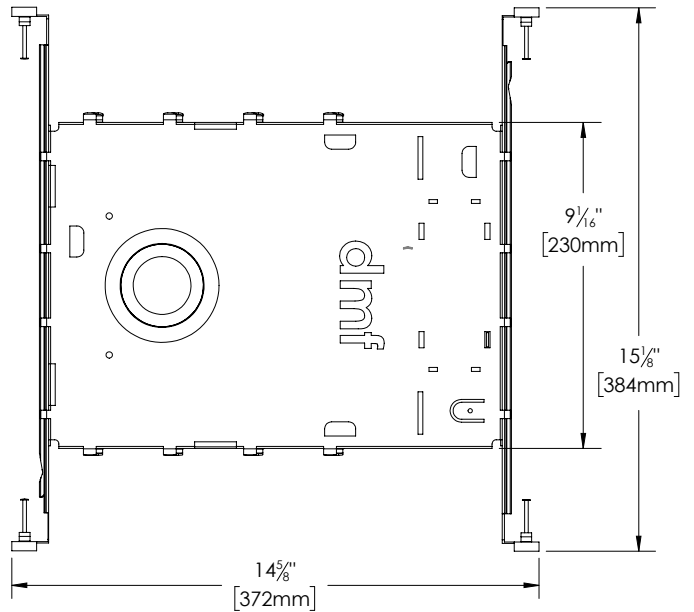
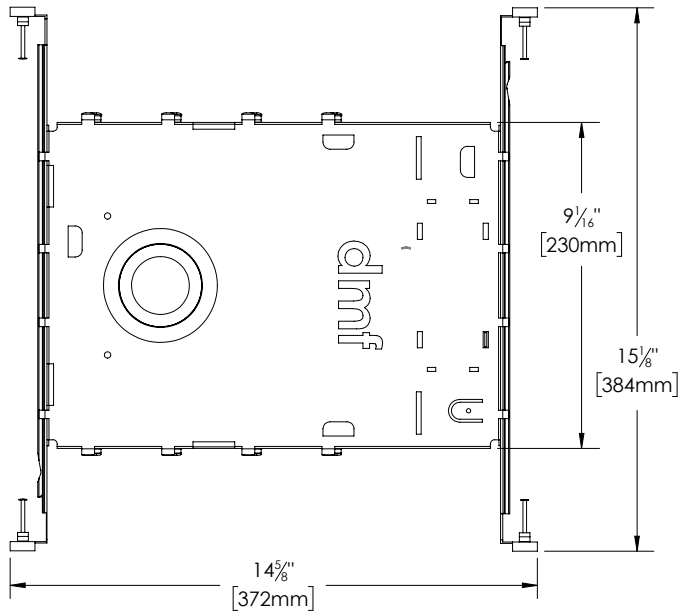
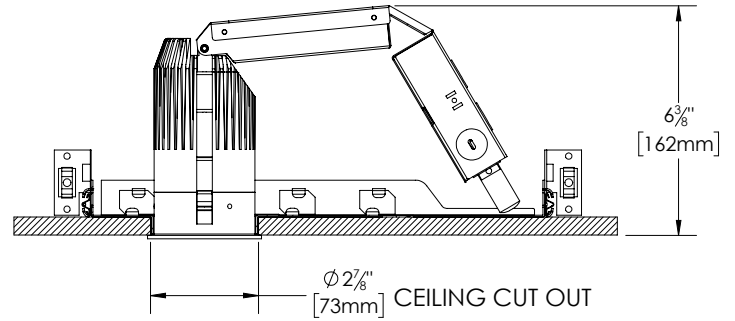
### LD2NCI

IC New Construction Frame-in Kit  
(access above ceiling is required)



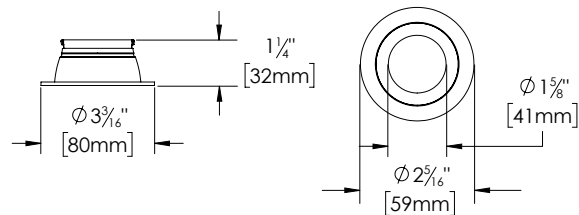
### LD2NCN

Non-IC New Construction Frame-in Kit  
(access above ceiling is not required)



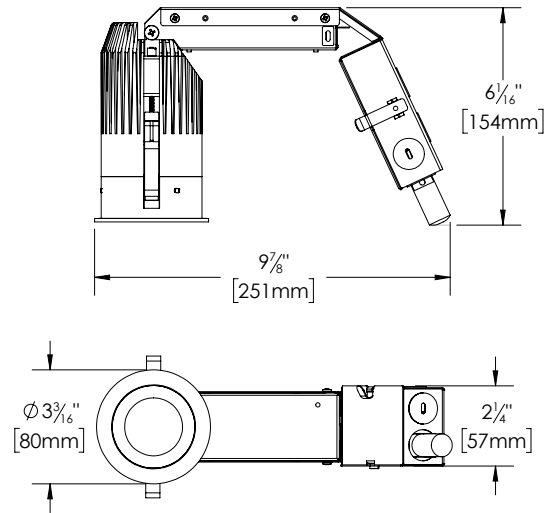
## TRIM DIMENSIONS

### LD2 Downlight Trim



## LIGHT ENGINE OVERVIEW

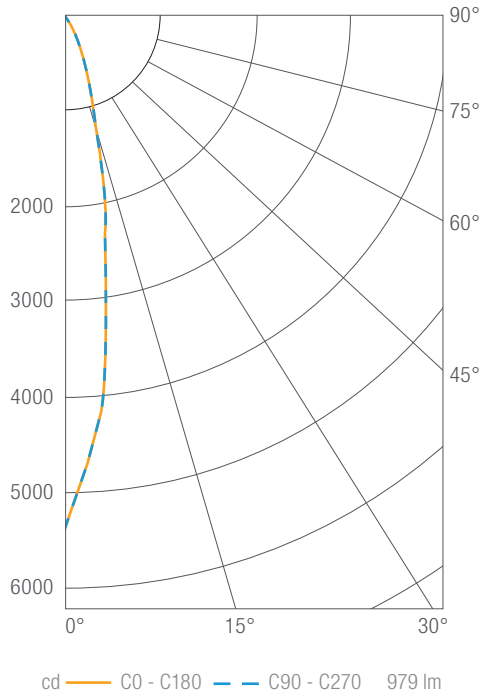
LD2  
Light Engine



	LD2
Total Module Lumen Output (lm)	900
Total Rated Power (W)	16.6
Efficacy (lm/W)	54
Color Rendering Index	90+
CCT Options	2700K, 3000K, 3500K, 4000K
Optics	Spot, Narrow Flood, Flood
Binning	2-step SDCM
Lifetime (L70)	50,000 hours
Max Ambient Operating Temperature	40°C
Input Voltage (V)	120/277V, 50/60Hz
Input Current at 120V (Max)	0.143
Input Current at 277V (Max)	0.067
Power Factor	>0.9
Total Harmonic Distortion	<20%
Dimming	100% - 5%

### PHOTOMETRICS

Light Engine: **LD29930I13T1** (LD2 Module, 900 lm, 90 CRI, 3000K, 13° Beam Spread)  
Trim: **LD2W** (LD2 Trim, White)



#### Luminous Intensity

Gamma	C 0°
0°	5392
5°	4210
10°	2392
15°	1252
20°	720
25°	369
30°	124
35°	44
40°	23
45°	16
50°	15
55°	11
60°	10
65°	7
70°	6
75°	4
80°	2
85°	0
90°	1

Values in candela

#### Zonal Lumen Summary

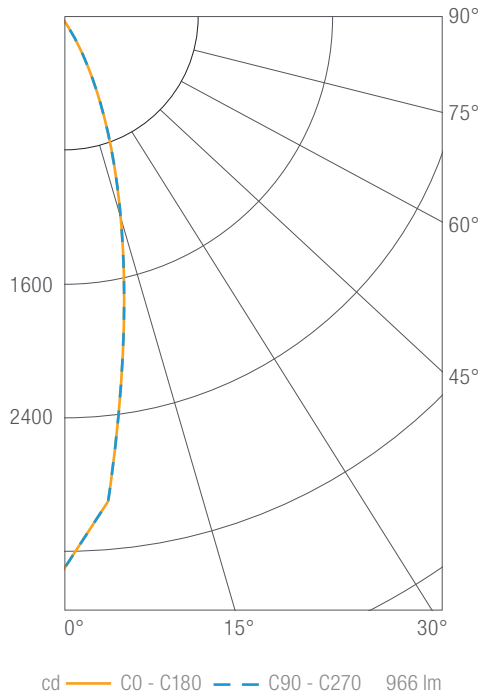
Zone	Lumens	Luminaire %
0-30	906	93
0-40	942	96
0-60	966	99
0-90	979	100
0-180	979	100

#### Illuminance Chart

Distance from LED	Foot Candles	Diameter
3.0'	599	1.0'
6.0'	150	1.9'
9.0'	67	2.9'
12.0'	37	3.8'

Beam Angle: 13°

Light Engine: **LD29930I28T1** (LD2 Module, 900 lm, 90 CRI, 3000K, 28° Beam Spread)  
Trim: **LD2W** (LD2 Trim, White)



#### Luminous Intensity

Gamma	C 0°
0°	3319
5°	2910
10°	2131
15°	1394
20°	824
25°	427
30°	198
35°	77
40°	35
45°	24
50°	18
55°	15
60°	13
65°	10
70°	7
75°	4
80°	4
85°	1
90°	0

Values in candela

#### Zonal Lumen Summary

Zone	Lumens	Luminaire %
0-30	857	89
0-40	916	95
0-60	949	98
0-90	966	100
0-180	966	100

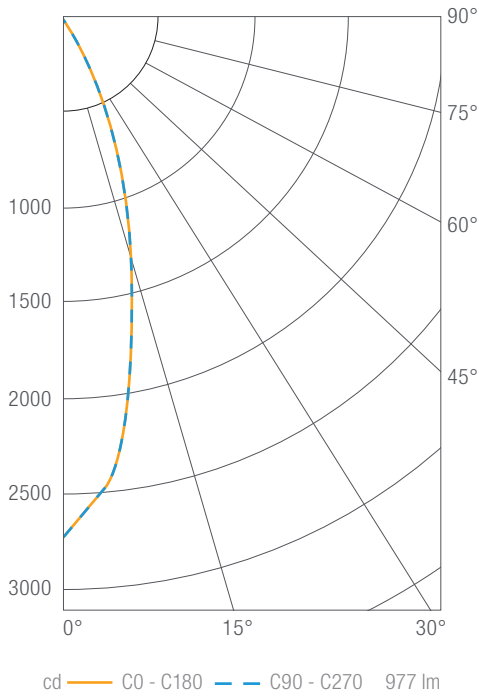
#### Illuminance Chart

Distance from LED	Foot Candles	Diameter
3.0'	369	1.4'
6.0'	92	2.8'
9.0'	41	4.2'
12.0'	23	5.6'

Beam Angle: 28°

### PHOTOMETRICS

Light Engine: **LD29930I45T1** (LD2 Module, 900 lm, 90 CRI, 3000K, 45° Beam Spread)  
Trim: **LD2W** (LD2 Trim, White)



Luminous Intensity

Gamma	C 0°
0°	2740
5°	2493
10°	1988
15°	1420
20°	900
25°	490
30°	230
35°	91
40°	42
45°	28
50°	21
55°	16
60°	13
65°	12
70°	7
75°	5
80°	2
85°	1
90°	0

Values in candela

Zonal Lumen Summary

Zone	Lumens	Luminaire %
0-30	853	87
0-40	922	94
0-60	960	98
0-90	977	100
0-180	977	100

Illuminance Chart

Distance from LED	Foot Candles	Diameter
3.0'	304	1.7'
6.0'	76	3.3'
9.0'	34	5.0'
12.0'	19	6.6'

Beam Angle: 45°

Light Engine: **LD29927, LD29935, LD29940**  
Trim: **LD2W** (LD2 Trim, White)

#### CCT Scaling

LD29927 (2700K)	LD29930 (3000K)	LD29935 (3500K)	LD29940 (4000K)
0.93	1.00	1.00	1.07

**DIMMER COMPATIBILITY****Recommended Phase-control Dimmers** (Dims down to 5% nominal measured light output)

Brand	Series	Model Number	Max Load
<b>Cooper</b>	Decorator	DLC03P	6
	Decorator	DAL06P	5
<b>Legrand</b>	Adorne	ADTP703TU	8
<b>Lutron</b>	CL Series	DVCL-153	2
	CL Series	DVCL-253	4
	Maestro Wireless	MRF2-6ND	5
	Radio RA	RRD-6NA	5
	Grafik Sys / Homeworks	RPM-4A	5
	Grafik Sys / Homeworks	RPM-4U	7
	Grafik Eye 3000	QSGR-3P	14
<b>Watt Stopper</b>	Dimming Sensor	PW-100D	15

**Recommended 0-10V Dimmers** (Dims down to 5% nominal measured light output)

Brand	Series	Model Number	Max Load
<b>Legrand</b>	Titan	CD4FB	50
<b>Leviton</b>	IllumaTech	IP710-DLZ	24
<b>Lithonia</b>	Synergy	ISD BC	24
<b>Lutron</b>	Diva	DVTV	39
	Nova	NFTV, NTSTV-DV	38
	PowPak	RMJ-5T-DV	38
<b>Watt Stopper</b>	Micro Decorator Style	DCLV1	48

**DIMMER COMPATIBILITY**Compatible Phase-control Dimmers<sup>1</sup> (Dims down to 20% nominal measured light output)

Brand	Series	Model Number	Max Load
Cooper	Aspire	9573	5
Leviton	IllumaTech Slide	IPE04	5
	IllumaTech Slide	IPE06	2
	SureSlide	6621	2
	SureSlide	6631, 6674	5
	Vizia	VPE04	7
	Vizia	VPE06	10
Lightolier	Sunrise	ZP260QEW	4
Lutron	Caseta	PD-6WCL	5
	Diva	DV-600	5
	Diva ELV	DVELV-300	5
	Maestro	MA-600	5
	Maestro CL	MACL-153M, MSCL-OP153M	5
	Maestro ELV	MAELV-600	7
	Radio RA	RRD-6CL	5
	Skylark	S-600P	2
	Skylark	S-1000	4
	Skylark Contour	CT-103P	4
Skylark ELV	SELV-300	5	
Philips	Sunrise	SR400RPC120	5
Watt Stopper	Digital Light Management	LMRC-221	142

<sup>1</sup> Dimmer compatibility reflects performance compatibility only. Please reference your local codes for application.