


### PRODUCT SPECIFICATIONS



- High-lumen, commercial grade pendant lighting
- Powerful, vibrant LED producing up to 4000 lumens
- Extruded aluminum with silver finish
- Frosted glass dome provides ambient uplighting
- Optional partially frosted bottom lens

 50,000 hrs lifetime

 Warranty

### Luminaire

**PENDANT:** Extruded aluminum body with silver powder coat finish. Spun aluminum ring with silver powder coat finish. White frosted glass dome. Optional partially frosted bottom glass.

**MOUNTING:** 4" solid square fixture hanger attached over 4" octagonal junction box (by others). Aircraft cables anchored to ceiling. Optional 3/4" pendant stem (by others).

**CANOPY:** Spun aluminum canopy with silver finish. Available in flat or round.

**CORD:** 96" standard, custom length available to up to 120".

**LED:** Next generation Cree® chip-on-board LED.

**LUMEN OUTPUT (POWER):** 1500 lm (23.7W), 2000 lm (31.0W), 3000 lm (43.8W), 4000 lm (48.3W).

**COLOR QUALITY:** 90+ CRI, 2-step SDCM (1500 lm, 2000 lm, 3000 lm). 80+ CRI, 2-step SDCM (4000 lm).

**CCT OPTIONS:** 2700K, 3000K, 3500K, 4000K.

**HEAT SINK:** Forged and extruded heat sink with pressed copper heat pipes and Dual Phase Cooling™ technology.

**INPUT VOLTAGE:** 120/277V.

**DIMMING:** Down to less than 5% for 0-10V.

**EMERGENCY LIGHTING:** Optional Emergency LED Driver for lighting up to 90 minutes in event of power failure.

**LIFETIME:** 50,000 hours at 70% lumen maintenance.

**PHOTOMETRIC TESTING:** Tested in accordance to IESNA LM-79-2008.

**LISTINGS:** ETL Listed. ENERGY STAR® qualified. Title 24 compliant.

**WARRANTY:** 5 year limited warranty.

Product Code:		Type:	
Project:	Contact:	Date:	



### PRODUCT SELECTION GUIDE

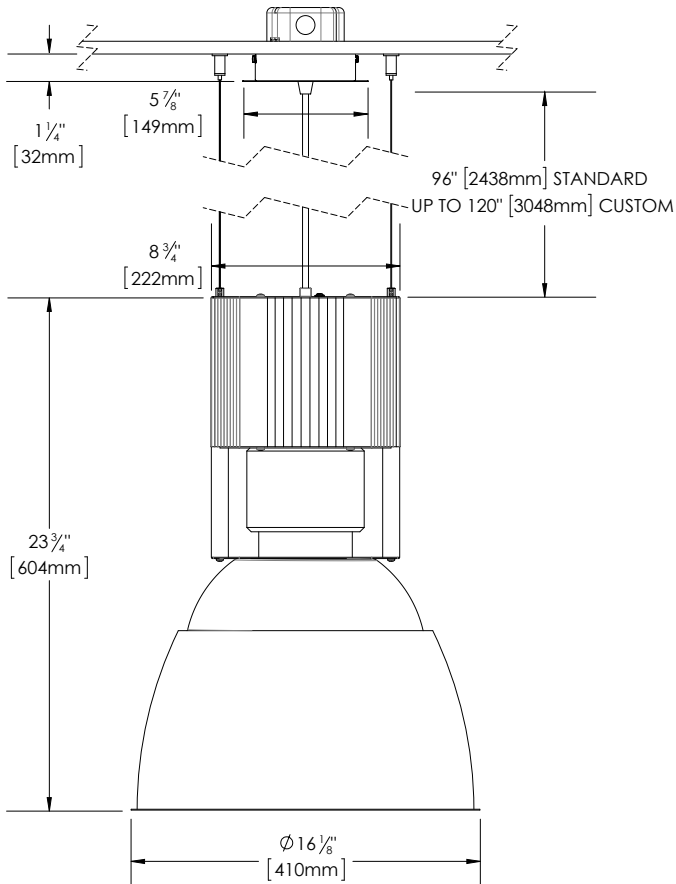
**LUMINAIRE\*** (Product Code Example: **DP610LED** + **15** + **27** + **W** + **F** = **DP610LED15272WF**)

PRODUCT CODE		LUMENS		CCT		OPTIC		MOUNTING		LENS	
<input type="text"/>		<input type="text"/>		<input type="text"/>		<input type="text"/>		<input type="text"/>		<input type="text"/>	
<b>DP610LED</b>	Pendant	<b>15</b>	1500 lm	<b>27</b>	2700K	<b>W</b>	Wide Flood	<b>F</b>	Flat Canopy	<b>[Blank]</b>	No Lens
		<b>20</b>	2000 lm	<b>30</b>	3000K			<b>R</b>	Round Canopy	<b>L</b>	Bottom Lens
		<b>30</b>	3000 lm	<b>35</b>	3500K						
		<b>40</b>	4000 lm	<b>40</b>	4000K						

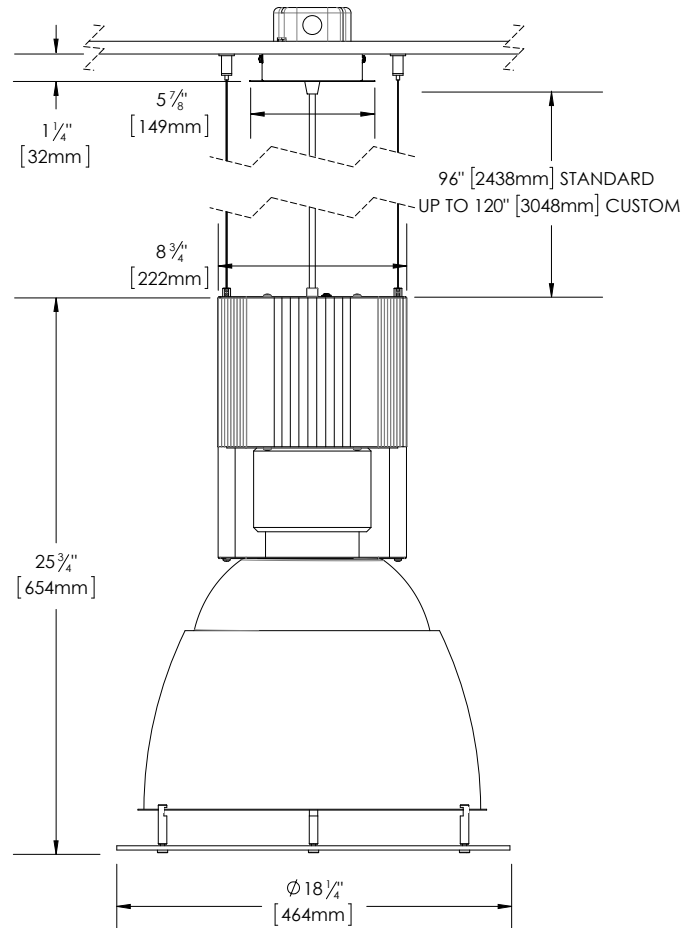
\* Contact factory for emergency lighting option

### LUMINAIRE DIMENSIONS

**DP610LEDxxxxWF**  
LED Pendant with  
Flat Canopy

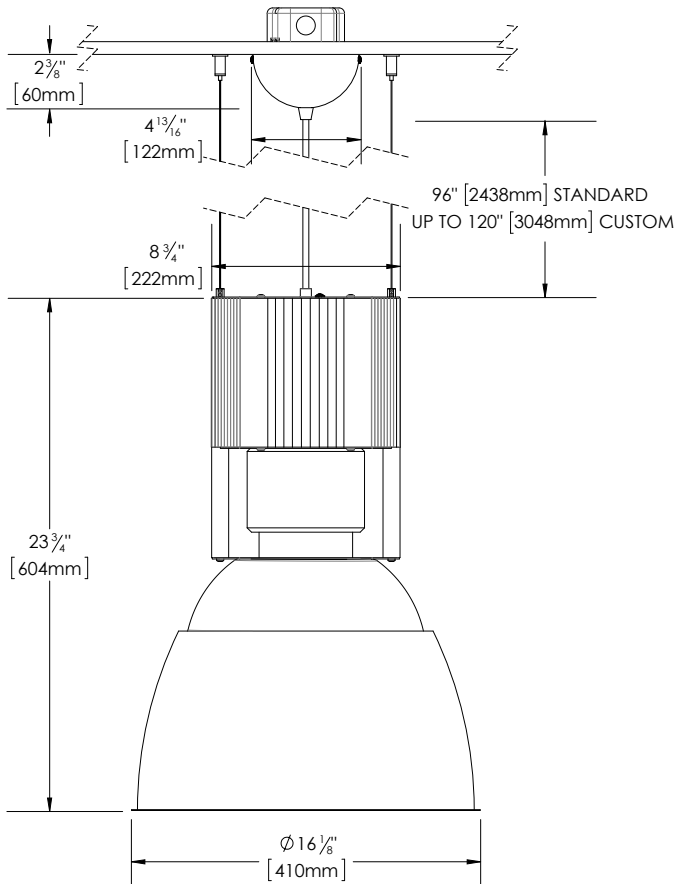


**DP610LEDxxxxWFL**  
LED Pendant with  
Flat Canopy and Bottom Lens

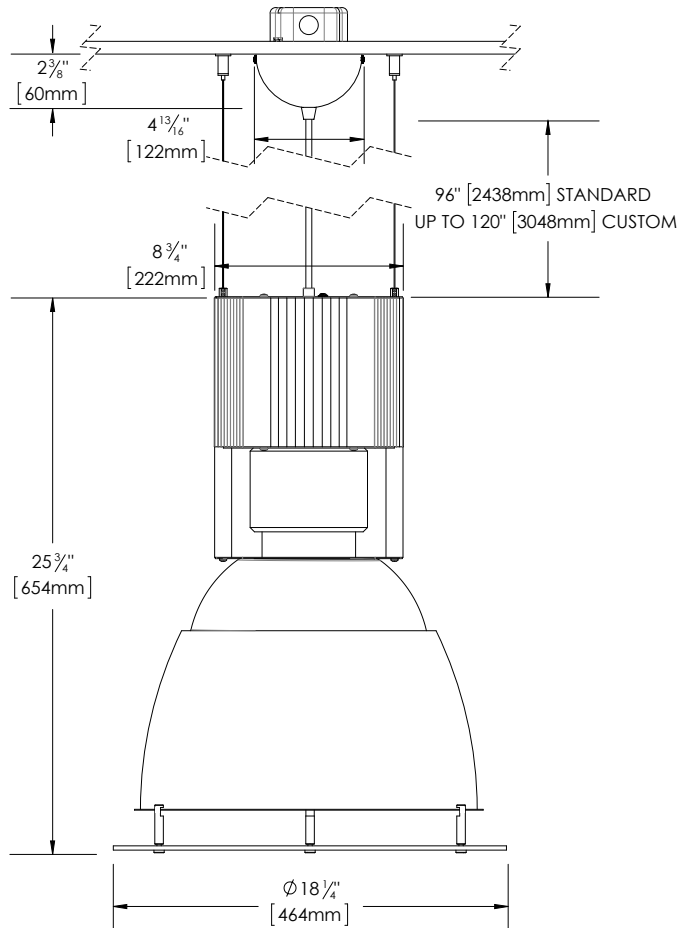


## LUMINAIRE DIMENSIONS

**DP610LEDxxxxWR**  
LED Pendant with  
Round Canopy



**DP610LEDxxxxWRL**  
LED Pendant with  
Round Canopy and Bottom Lens



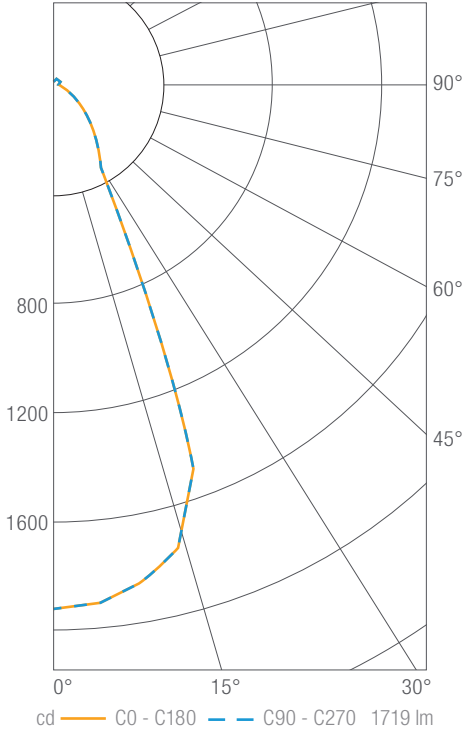


### LIGHT ENGINE OVERVIEW

	DP610LED15	DP610LED20	DP610LED30	DP610LED40
Total Module Lumen Output (lm)	1500	2000	3000	4000
Total Rated Power (W)	23.7	31.0	43.8	48.3
Efficacy (lm/W)	63	65	68	83
Color Rendering Index	90+	90+	90+	80+
CCT Options	2700K, 3000K, 3500K, 4000K			
Optics	Wide Flood (45°)			
Binning	2-step SDCM			
Lifetime (L70)	50,000 hours			
Max Ambient Operating Temperature	40°C			
Input Voltage (V)	120 or 277VAC, 50/60Hz			
Input Current at 120V (Max)	0.20A	0.26A	0.37A	0.40A
Input Current at 277V (Max)	0.10A	0.12A	0.16A	0.17A
Power Factor	>0.9			
Total Harmonic Distortion	<20%			
Dimming	100% - 5%			

### PHOTOMETRICS

Luminaire: **DP610LED1530** (DP610 LED Pendant, 1500 lm, 90 CRI, 3000K)



#### Luminous Intensity

Gamma	C 0°	Gamma	C 0°
0°	1921	95°	18
5°	1905	100°	24
10°	1849	105°	26
15°	1761	110°	27
20°	1504	115°	28
25°	654	120°	27
30°	350	125°	27
35°	295	130°	26
40°	230	135°	26
45°	177	140°	25
50°	132	145°	25
55°	104	150°	24
60°	84	155°	22
65°	68	160°	18
70°	53	165°	16
75°	41	170°	14
80°	30	175°	12
85°	23	180°	11
90°	18		

Values in candela

#### Zonal Lumen Summary

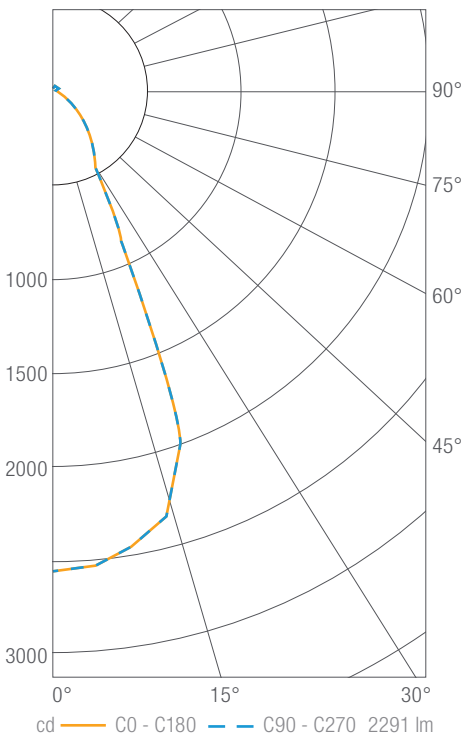
Zone	Lumens	Luminaire %
0-30	1017	59
0-40	1199	70
0-60	1432	83
0-90	1568	91
0-180	1719	100
90-180	150	9

#### Illuminance Chart

Distance from LED	Foot Candles	Diameter
6.0'	53	5.1'
9.0'	24	7.7'
12.0'	13	10.2'
14.0'	10	12.0'

Beam Angle: 46°

Luminaire: **DP610LED2030** (DP610 LED Pendant, 2000 lm, 90 CRI, 3000K)



#### Luminous Intensity

Gamma	C 0°	Gamma	C 0°
0°	2561	95°	24
5°	2539	100°	32
10°	2465	105°	34
15°	2347	110°	36
20°	2005	115°	37
25°	871	120°	36
30°	467	125°	36
35°	393	130°	34
40°	307	135°	34
45°	236	140°	33
50°	176	145°	33
55°	139	150°	32
60°	112	155°	29
65°	90	160°	24
70°	70	165°	22
75°	54	170°	19
80°	40	175°	16
85°	30	180°	14
90°	24		

Values in candela

#### Zonal Lumen Summary

Zone	Lumens	Luminaire %
0-30	1355	59
0-40	1598	70
0-60	1909	83
0-90	2091	91
0-180	2291	100
90-180	200	9

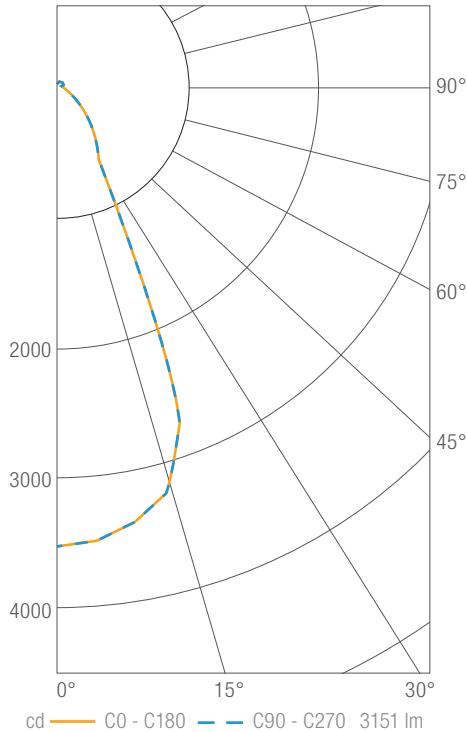
#### Illuminance Chart

Distance from LED	Foot Candles	Diameter
6.0'	71	5.1'
9.0'	32	7.7'
12.0'	18	10.2'
14.0'	13	12.0'

Beam Angle: 46°

### PHOTOMETRICS

Luminaire: **DP610LED3030** (DP610 LED Pendant, 3000 lm, 90 CRI, 3000K)



#### Luminous Intensity

Gamma	C 0°	Gamma	C 0°
0°	3522	95°	34
5°	3493	100°	43
10°	3390	105°	47
15°	3229	110°	49
20°	2757	115°	51
25°	1198	120°	49
30°	643	125°	49
35°	540	130°	47
40°	422	135°	47
45°	325	140°	45
50°	242	145°	45
55°	191	150°	43
60°	154	155°	39
65°	124	160°	34
70°	97	165°	30
75°	75	170°	26
80°	55	175°	22
85°	41	180°	20
90°	34		

Values in candela

#### Zonal Lumen Summary

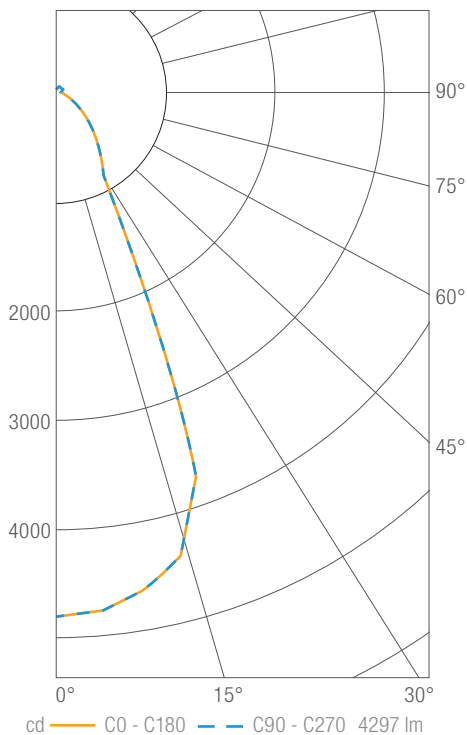
Zone	Lumens	Luminaire %
0-30	1864	59
0-40	2199	70
0-60	2626	83
0-90	2875	91
0-180	3151	100
90-180	276	9

#### Illuminance Chart

Distance from LED	Foot Candles	Diameter
9.0'	43	7.7'
12.0'	24	10.2'
15.0'	18	12.0'
18.0'	11	15.3'

Beam Angle: 46°

Luminaire: **DP610LED4030** (DP610 LED Pendant, 4000 lm, 80 CRI, 3000K)



#### Luminous Intensity

Gamma	C 0°	Gamma	C 0°
0°	4803	95°	46
5°	4763	100°	59
10°	4623	105°	65
15°	4403	110°	67
20°	3761	115°	70
25°	1634	120°	67
30°	876	125°	67
35°	737	130°	65
40°	575	135°	65
45°	444	140°	62
50°	331	145°	62
55°	261	150°	59
60°	210	155°	54
65°	169	160°	46
70°	132	165°	40
75°	102	170°	35
80°	75	175°	30
85°	56	180°	27
90°	46		

Values in candela

#### Zonal Lumen Summary

Zone	Lumens	Luminaire %
0-30	2542	59
0-40	2998	70
0-60	3581	83
0-90	3921	91
0-180	4297	100
90-180	376	9

#### Illuminance Chart

Distance from LED	Foot Candles	Diameter
12.0'	33	10.2'
14.0'	25	12.0'
18.0'	15	15.4'
20.0'	12	17.1'

Beam Angle: 46°



### DIMMER COMPATIBILITY

---

Recommended 0-10V Dimmers (Dims down to 5% nominal measured light output)

Brand	Series	Model Number	Max Load DP610LED15	Max Load DP610LED20	Max Load DP610LED30	Max Load DP610LED40
Legrand	Titan	CD4FB	98	74	52	38
Leviton	IllumaTech	IP710-DLZ	35	37	26	19
Lithonia	Synergy	ISD BC	36	37	26	19
Lutron	Diva	DVTV	54	59	42	30
	Nova	NFTV	57	60	42	30
	Nova	NTSTV-DV	78	59	42	30
	PowPak	RMJ-5T-DV-B	24	24	24	24
Watt Stopper	Micro Decorator Style	DCLV1	98	75	53	39