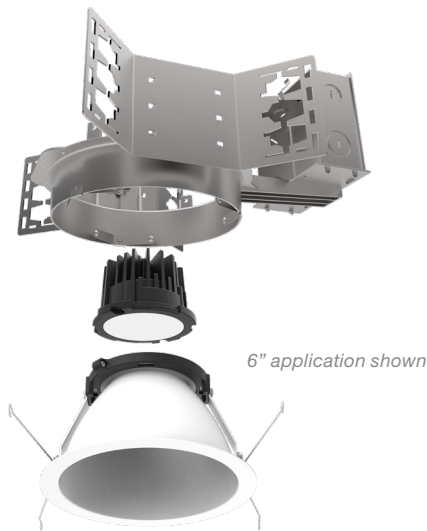


PRODUCT SPECIFICATIONS



- Versatile LED luminaire for 120/277V commercial applications
- Easy, tool-free installation, including Twist & Lock trim feature
- 1500, 2000 lumen outputs, powered by Cree 90+ CRI LEDs
- Available 2700K, 3000K, 3500K, 4000K CCT
- Flicker-free TRIAC/ELV, 0-10V or Lutron Hi-lume 1% dimming
- 50,000 hour lifetime (L70)
- 5 year limited warranty



Twist & Lock



Wet location rated



50,000 hrs lifetime



5yr Warranty

Frame-in Kit

MOUNTING FRAME: Die-cast aluminum.

JUNCTION BOX: Galvanized steel. Equipped with (4) 1/2" and (2) 3/4" knockouts with pryout slots to allow straight conduit runs. Approved for 8 (four-in, four-out) #12 AWG 70 through wire conductors.

MOUNTING: Butterfly brackets adjust 4" vertically and accept 1/2" EMT, linear flat bars and "C" channels.

CEILING: 1/2" up to 1".

CUTOUT: 5 1/8" (4" frame-in kit), 7" (6" frame-in kit), 8 9/16" (8" frame-in kit).

Light Engine

LED: Next generation Cree® chip-on-board LED.

LUMEN OUTPUT (POWER): 1500 lm (19.5W), 2000 lm (29.0W).

COLOR QUALITY: 90+ CRI, 2-step SDCM.

CCT OPTIONS: 2700K, 3000K, 3500K, 4000K.

CONNECTOR: PowerPlug® Luminaire Disconnect Model 182.

INPUT VOLTAGE: 120/277V.

DIMMING: Down to less than 1% for 0-10V or Lutron Hi-lume® 1%.

EMERGENCY LIGHTING: Optional Emergency LED Driver for lighting up to 90 minutes in event of power failure.

LIFETIME: 50,000 hours at 70% lumen maintenance.

PHOTOMETRIC TESTING: Tested in accordance to IESNA LM-79-2008.

LISTINGS: cULus Listed. ENERGY STAR® qualified. Title 24 compliant. UL Listed for Wet location.

WARRANTY: 5 year limited warranty.

Trim

CONSTRUCTION: Self flanged, spun aluminum reflector. Twist & Lock mounting allows easy tool-free field installation and tight ceiling fit.

FINISH: White, Alzak® low iridescent reflector with white flange.

Product Code:	Type:	
Project:	Contact:	Date:



PRODUCT SELECTION GUIDE

FRAME-IN KIT (Product Code Example: **DCDH** + **N** + **4** + **1** + **150** = **DCDHN41150**)

PRODUCT CODE		APPLICATION		APERTURE		INPUT		DRIVER		OPTION	
<input type="text"/>		<input type="text"/>		<input type="text"/>		<input type="text"/>		<input type="text"/>		<input type="text"/>	
DCDH	Housing	N	New Construction	4	4" Aperture	1	120V	150	0-10V, 1500 lm	[Blank]	None
				6	6" Aperture	2	277V	200	0-10V, 2000 lm	EM	Emergency Driver
				8	8" Aperture			15C	Lutron LDE1 ¹ , 1500 lm		
								20C	Lutron LDE1 ¹ , 2000 lm		
								15W	Lutron L3DA3W ² , 1500 lm		
								20W	Lutron L3DA3W ² , 2000 lm		

MOUNTING

OPTION	
CC	Bar Hanger
CCA-16	Adjustable C-Channel 11" - 18"
LBH	Flat Bar Hanger 27"
CCA-24	Adjustable C-Channel 17" - 26"
LBH-24	Flat Bar Hanger 24"

LIGHT ENGINE (Product Code Example: **DCD1M** + **15** + **9** + **27** + **A** = **DCD1M15927A**)

PRODUCT CODE		LUMENS		CRI		CCT		DRIVER	
<input type="text"/>		<input type="text"/>		<input type="text"/>		<input type="text"/>		<input type="text"/>	
DCD1M	Module	15	1500 lm	9	90+ CRI	27	2700K	A	Alternate Dimming
		20	2000 lm			30	3000K		
						35	3500K		
						40	4000K		

TRIMS (Product Code Example: **DCD2T** + **R** + **4** + **S** + **WH** = **DCD2TR4SWH**)

PRODUCT CODE		SHAPE		APERTURE		STYLE		FINISH	
<input type="text"/>		<input type="text"/>		<input type="text"/>		<input type="text"/>		<input type="text"/>	
DCD2T	Trim	R	Round	4	4" Aperture	S	Smooth	WH	White
				6	6" Aperture			AZ	Low Iridescent Reflector, White Flange
				8	8" Aperture			CC	Custom Color

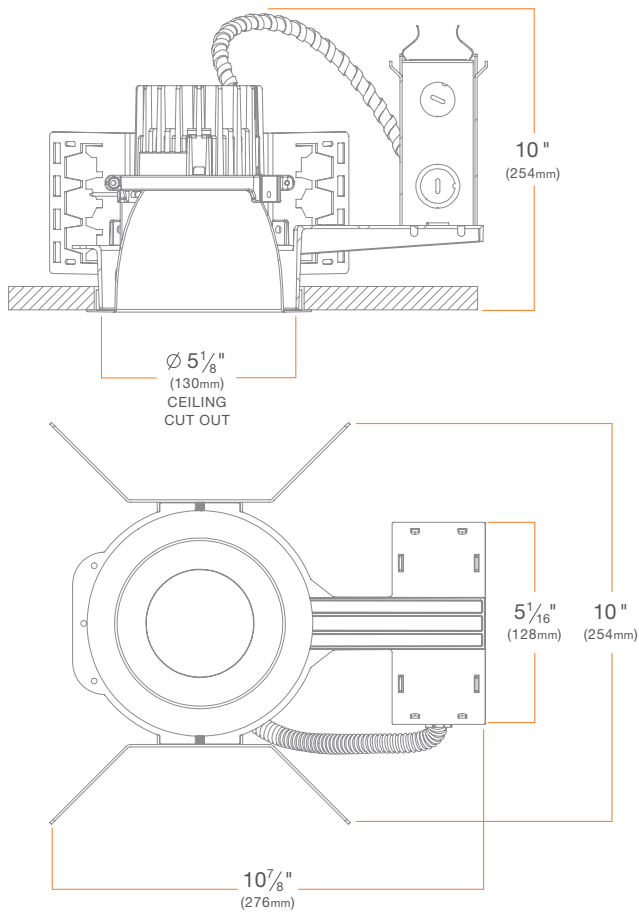
¹ Lutron LDE1 Dimming refers to Lutron Hi-lume 1% EcoSystem LED driver with Soft-on, Fade-to-Black™

² Lutron L3DA3W Dimming refers to Lutron Hi-lume 1% 3-wire LED driver

FRAME-IN KIT DIMENSIONS

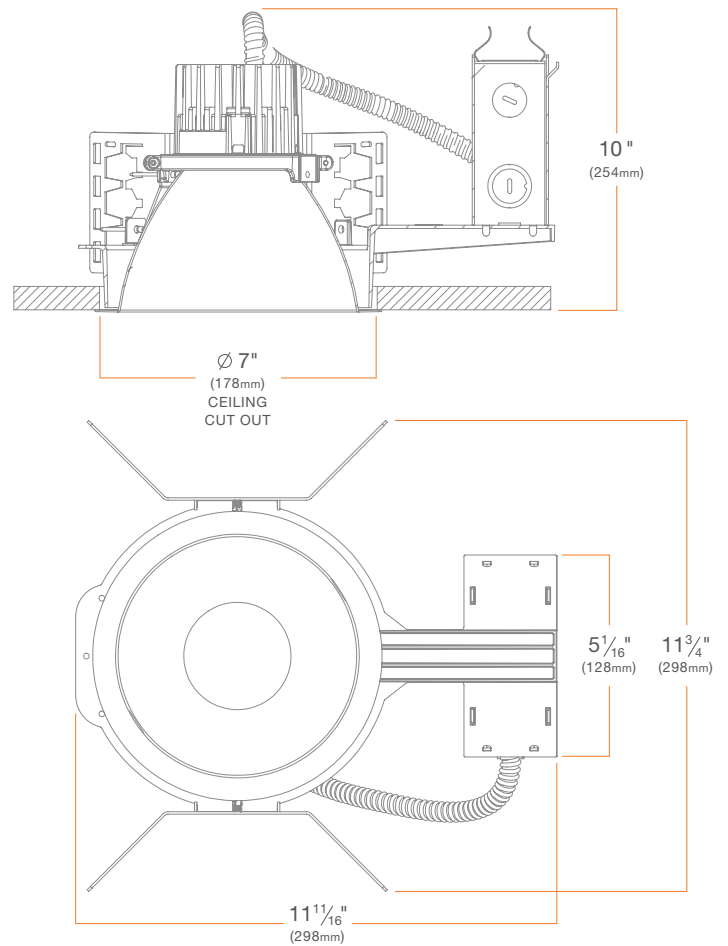
DCDHN4

4" Commercial New Construction
Frame-in Kit



DCDHN6

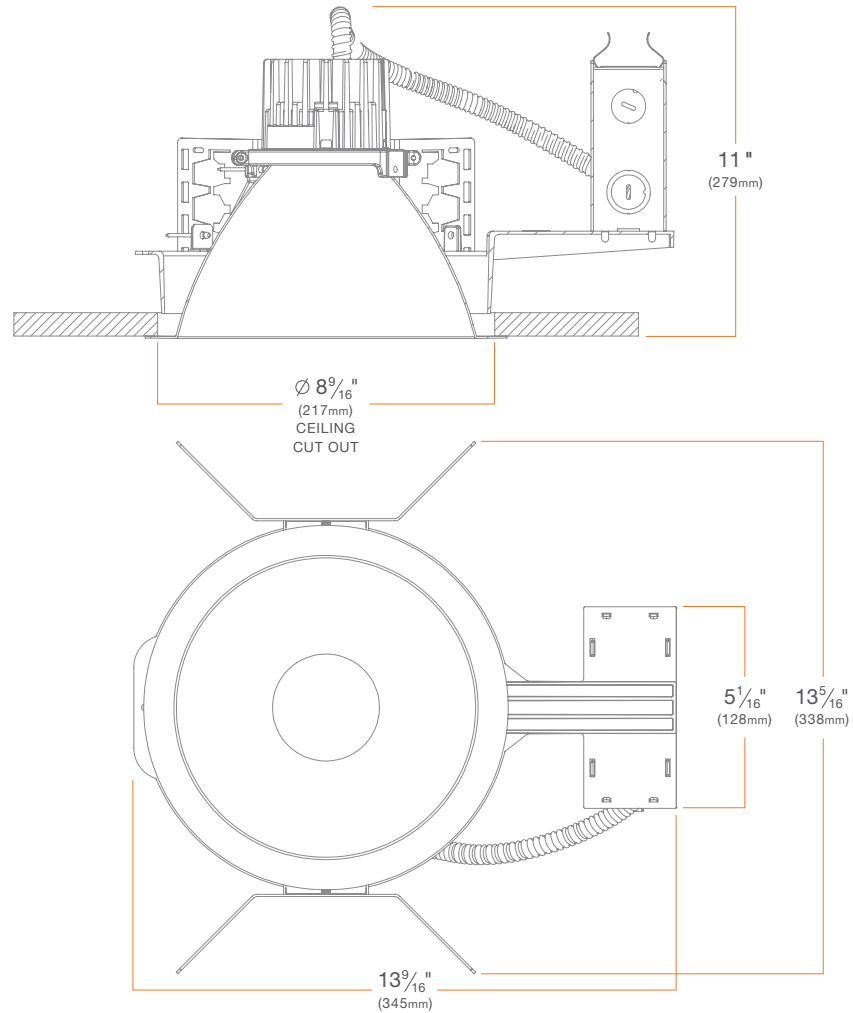
6" Commercial New Construction
Frame-in Kit



FRAME-IN KIT DIMENSIONS

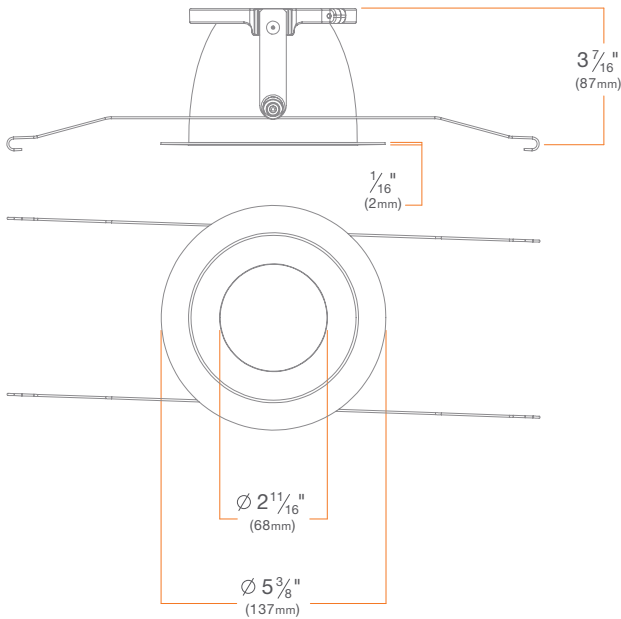
DCDHN8

8" Commercial New Construction Frame-in Kit

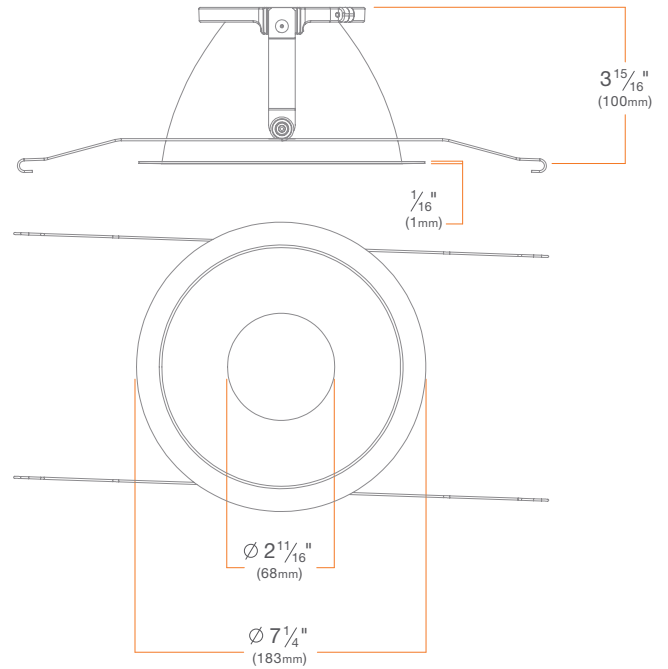


TRIM DIMENSIONS

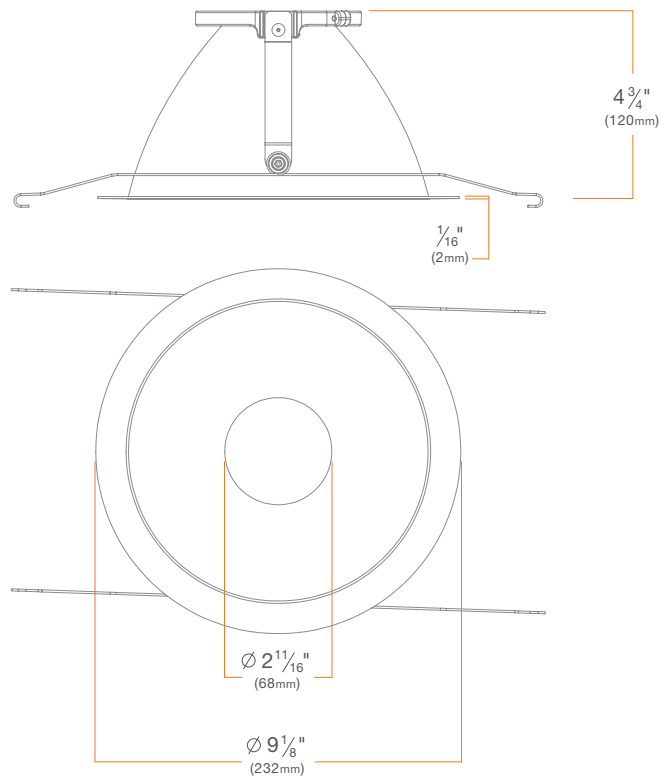
DCD2TR4
4" Commercial Trim



DCD2TR6
6" Commercial Trim

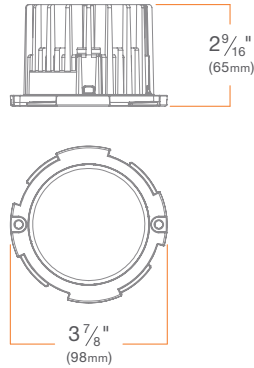


DCD2TR8
8" Commercial Trim



LIGHT ENGINE OVERVIEW

DCD1M LED Module

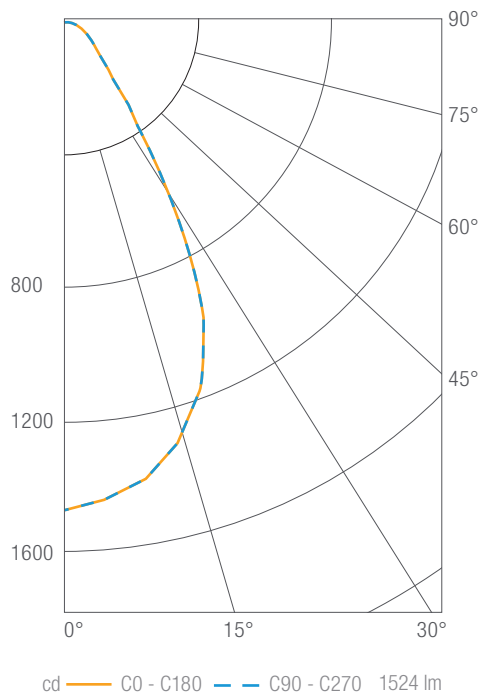


	DCD1M15	DCD1M20
Total Module Lumen Output (lm)	1500	2000
Total Rated Power (W)	19.5	29.0
Efficacy (lm/W)	77	69
Color Rendering Index	90+	
CCT Options	2700K, 3000K, 3500K, 4000K	
Optics	Flood	
Binning	2-step SDCM	
Lifetime (L70)	50,000 hours	
Max Ambient Operating Temperature	40°C	
Input Voltage (V)	38VDC (light engine), 120 or 277VAC (luminaire), 50/60Hz	
Input Current at 120V (Max)	0.26A	0.37A
Input Current at 277V (Max)	0.12A	0.16A
Power Factor	>0.9	
Total Harmonic Distortion	<20%	
Dimming	100% - 1% (0-10V, Lutron Hi-lume 1%)	

PHOTOMETRICS

Light Engine: **DCD1M15935A** (DCD1 Module, 1500 lm, 90 CRI, 3500K)

Trim: **DCD2TR6SWH** (DCD2 Trim, 6" Aperture, Smooth, White)



Luminous Intensity

Gamma	C 0°
0°	1470
5°	1443
10°	1398
15°	1312
20°	1186
25°	989
30°	678
35°	384
40°	228
45°	160
50°	122
55°	99
60°	79
65°	62
70°	47
75°	32
80°	18
85°	6
90°	1

Values in candela

Zonal Lumen Summary

Zone	Lumens	Luminaire %
0-30	942	62
0-40	1201	79
0-60	1419	93
0-90	1524	100
0-180	1524	100

Illuminance Chart

Distance from LED	Foot Candles	Diameter
3.0'	163	3.3'
6.0'	41	6.7'
9.0'	18	10'
12.0'	10	13.3'

Beam Angle: 58°

Light Engine: **DCD1M20935A** (DCD1 Module, 2000 lm, 90 CRI, 3000K)

Lumen Scaling

DCD1M15 (1500 lm)	DCD1M20 (2000 lm)
1.00	1.33

Light Engine: **DCD1M15927A, DCD1M15930A, DCD1M15940A**

CCT Scaling

DCD1M15927 (2700K)	DCD1M15930 (3000K)	DCD1M15935 (3500K)	DCD1M15940 (4000K)
0.93	1.00	1.00	1.07



DIMMER COMPATIBILITY

Recommended 0-10V Dimmers (Dims down to 1% nominal measured light output)

Brand	Series	Model Number	Max Load DCD1M15	Max Load DCD1M20
Legrand	Titan	CD4FB	97	71
Leviton	IllumaTech	IP710-DLZ	46	34
Lithonia	Synergy	ISD BC	46	34
Lutron	Diva	DVTV	73	54
	Nova	NFTV	110	78
	Nova	NTSTV-DV	105	76
Watt Stopper	Micro Decorator Style	DCLV1	135	95