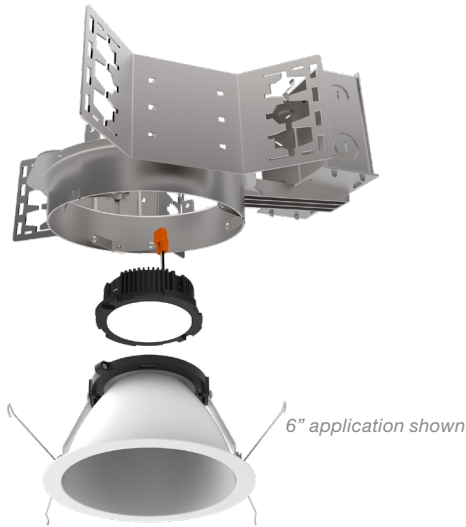


## PRODUCT SPECIFICATIONS



- Maximum installation compatibility
- Easy, tool-free installation, including Twist & Lock trim feature
- 750 & 1000 lumen outputs
- 2700K, 3000K, 3500K, 4000K CCT
- Flicker-free TRIAC/ELV, 0-10V or Lutron Hi-lume 1% dimming
- 50,000 hr lifetime at 70% lumen maintenance
- 5 year limited warranty



Twist & Lock



Wet location rated



50,000 hrs lifetime



Warranty

### Frame-in Kit

**MOUNTING FRAME:** Die-cast aluminum.

**JUNCTION BOX:** Galvanized steel. Equipped with (4) 1/2" and (2) 3/4" knockouts with pryout slots to allow straight conduit runs. Approved for 8 (four-in, four-out) #12 AWG 70 through wire conductors.

**MOUNTING:** Butterfly brackets adjust 4" vertically and accept 1/2" EMT, linear flat bars and "C" channels.

**CEILING:** 1/2" up to 1".

**CUTOUT:** 5 1/8" (4" frame-in kit), 7" (6" frame-in kit), 8 9/16" (8" frame-in kit).

### Light Engine

**LED:** Tightly binned, high performing white Cree® LED.

**LUMEN OUTPUT (POWER):** 750 lm (10.8W), 1000 lm (12.8W).

**COLOR QUALITY:** 93+ CRI, 2-step SDCM.

**CCT OPTIONS:** 2700K, 3000K, 3500K, 4000K.

**CONNECTOR:** PowerPlug® Luminaire Disconnect Model 182 (TRIAC/ELV), Model 102 (0-10V, Lutron Hi-lume® 1% and/or emergency lighting).

**INPUT VOLTAGE:** 120/277V.

**DIMMING:** Down to less than 5% for TRIAC/ELV at 120V or 0-10V at 120/277V. Down to less than 1% for Lutron Hi-lume® 1% at 120/277V.

**EMERGENCY LIGHTING:** Optional Emergency LED Driver for lighting up to 90 minutes in event of power failure.

**LIFETIME:** 50,000 hours at 70% lumen maintenance.

**PHOTOMETRIC TESTING:** Tested in accordance to IESNA LM-79-2008.

**LISTINGS:** cULus Listed. ENERGY STAR® qualified. Title 24 compliant. UL Listed for Wet location.

**WARRANTY:** 5 year limited warranty.

### Trim

**CONSTRUCTION:** Self flanged, spun aluminum reflector. Twist & Lock mounting allows easy tool-free field installation and tight ceiling fit.

**FINISH:** White, Alzak® low iridescent reflector with white flange.

Product Code:	Type:	
Project:	Contact:	Date:



### PRODUCT SELECTION GUIDE

#### FRAME-IN KIT (Product Code Example: DCDH + N + 4 = DCDHN4)

PRODUCT CODE		APPLICATION		APERTURE		DRIVER		OPTION	
<input type="text"/>		<input type="text"/>		<input type="text"/>		<input type="text"/>		<input type="text"/>	
<b>DCDH</b>	Housing	<b>N</b>	New Construction	<b>4</b>	4" Aperture	<b>[Blank]</b>	Integrated TRIAC/ELV	<b>[Blank]</b>	None
				<b>6</b>	6" Aperture	<b>7O</b>	0-10V, 750 lm	<b>EM</b>	Emergency Driver <i>Only available for 0-10V and Lutron Hi-Lume 1% driver</i>
				<b>8</b>	8" Aperture	<b>10O</b>	0-10V, 1000 lm		
						<b>7C</b>	Lutron LDE1 <sup>1</sup> , 750 lm		
						<b>10C</b>	Lutron LDE1 <sup>1</sup> , 1000 lm		
						<b>7W</b>	Lutron L3DA3W <sup>2</sup> , 750 lm		
						<b>10W</b>	Lutron L3DA3W <sup>2</sup> , 1000 lm		

#### MOUNTING

OPTION			
<b>CC</b>	Bar Hanger	<b>CCA-16</b>	Adjustable C-Channel 11" - 18"
<b>LBH</b>	Flat Bar Hanger 27"	<b>CCA-24</b>	Adjustable C-Channel 17" - 26"
<b>LBH-24</b>	Flat Bar Hanger 24"		

#### LIGHT ENGINE (Product Code Example: DRD2M + 7 + 9 + 27 = DRD2M7927)

PRODUCT CODE		LUMENS		CRI		CCT		DRIVER	
<input type="text"/>		<input type="text"/>		<input type="text"/>		<input type="text"/>		<input type="text"/>	
<b>DRD2M</b>	Module	<b>7</b>	750 lm	<b>9</b>	93+ CRI	<b>27</b>	2700K	<b>[Blank]</b>	Integrated TRIAC/ELV
		<b>10</b>	1000 lm			<b>30</b>	3000K	<b>A</b>	Alternate Dimming <i>Must be selected if 0-10V, Lutron Hi-Lume 1% driver is selected for frame-in kit</i>
						<b>35</b>	3500K		
						<b>40</b>	4000K		

#### TRIMS (Product Code Example: DCD2T + R + 4 + S + WH = DCD2TR4SWH)

PRODUCT CODE		SHAPE		APERTURE		STYLE		FINISH	
<input type="text"/>		<input type="text"/>		<input type="text"/>		<input type="text"/>		<input type="text"/>	
<b>DCD2T</b>	Trim	<b>R</b>	Round	<b>4</b>	4" Aperture	<b>S</b>	Smooth	<b>WH</b>	White
				<b>6</b>	6" Aperture			<b>AZ</b>	Low Iridescent Reflector, White Flange
				<b>8</b>	8" Aperture			<b>CC</b>	Custom Color

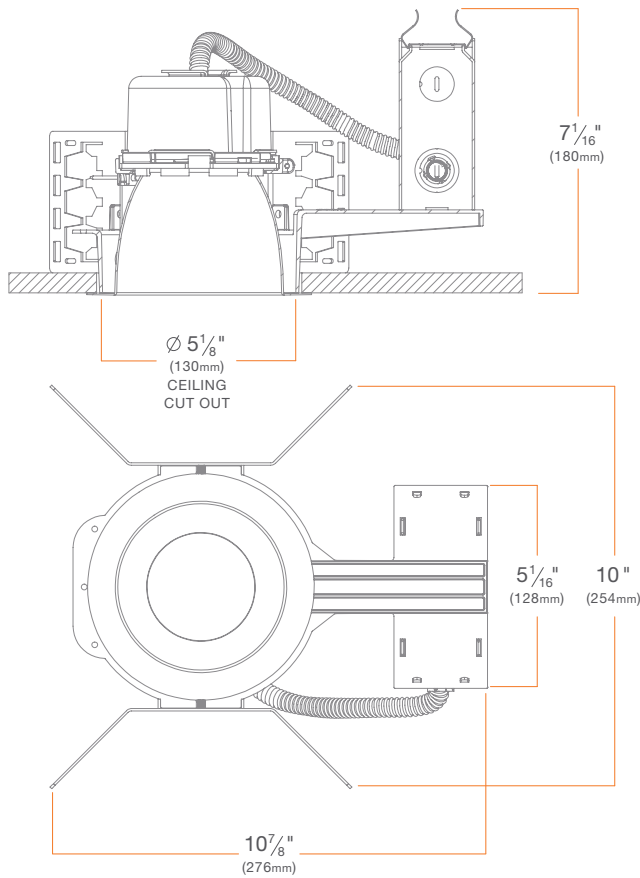
<sup>1</sup> Lutron LDE1 Dimming refers to Lutron Hi-lume 1% EcoSystem LED driver with Soft-on, Fade-to-Black™

<sup>2</sup> Lutron L3DA3W Dimming refers to Lutron Hi-lume 1% 3-wire LED driver

## FRAME-IN KIT DIMENSIONS

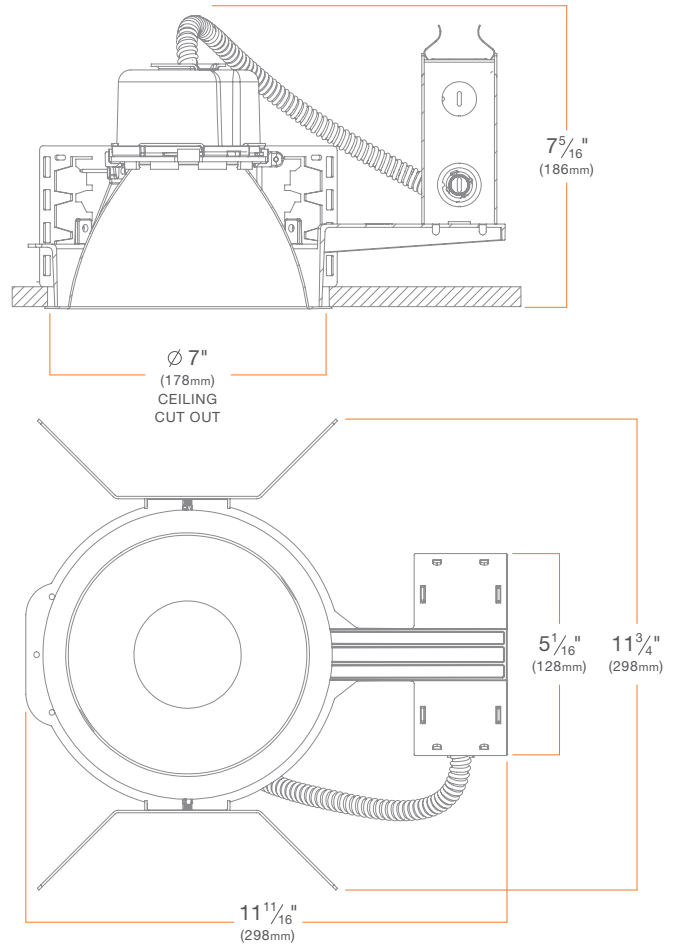
### DCDHN4

4" Commercial New Construction  
Frame-in Kit



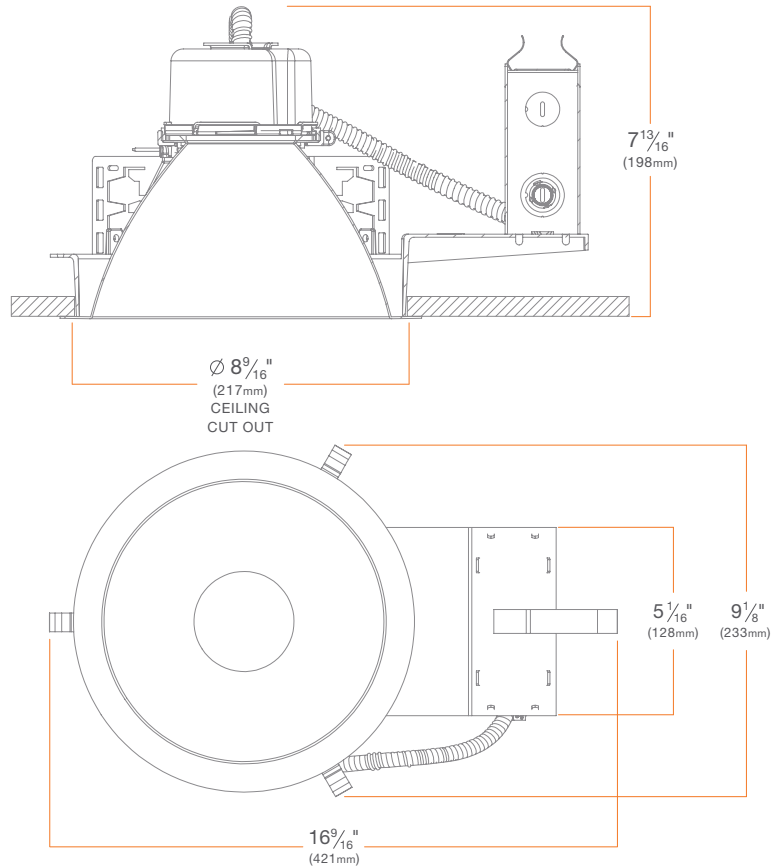
### DCDHN6

6" Commercial New Construction  
Frame-in Kit



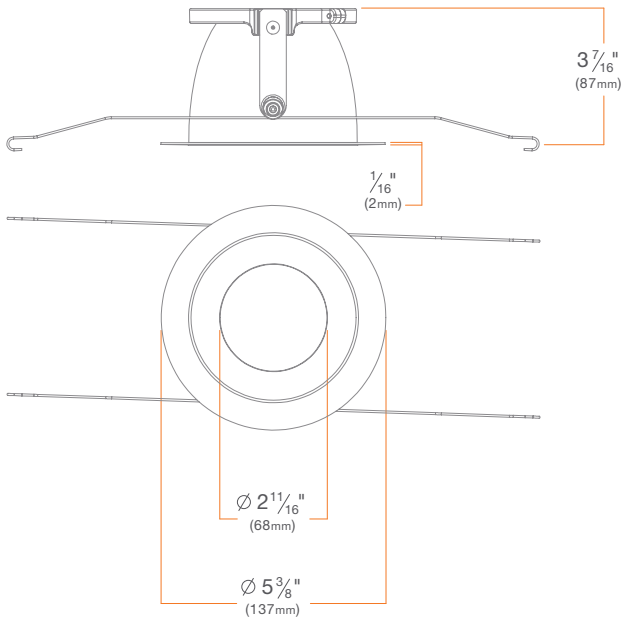
## FRAME-IN KIT DIMENSIONS

### DCDHN8 8" Commercial New Construction Frame-in Kit

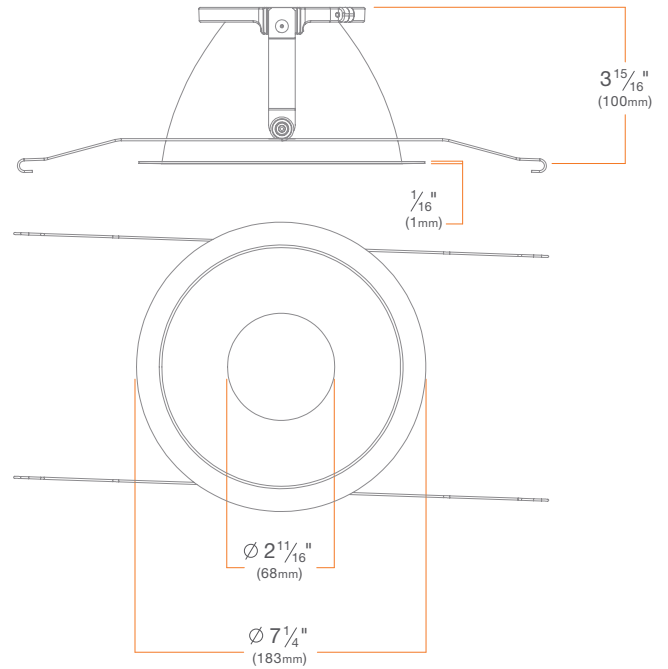


## TRIM DIMENSIONS

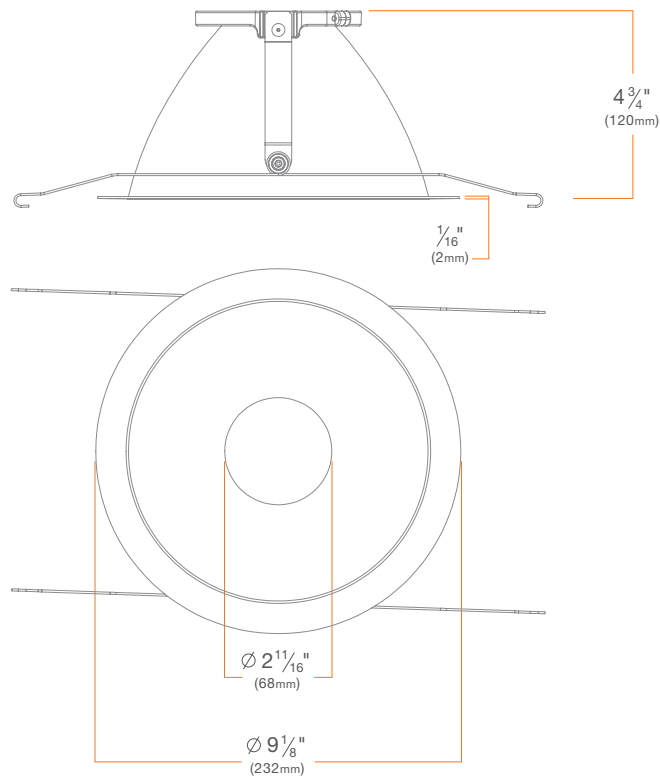
**DCD2TR4**  
4" Commercial Trim



**DCD2TR6**  
6" Commercial Trim

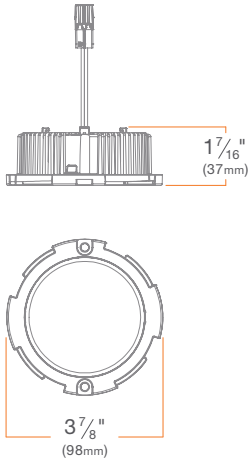


**DCD2TR8**  
8" Commercial Trim



## LIGHT ENGINE OVERVIEW

**DRD2M**  
LED Module



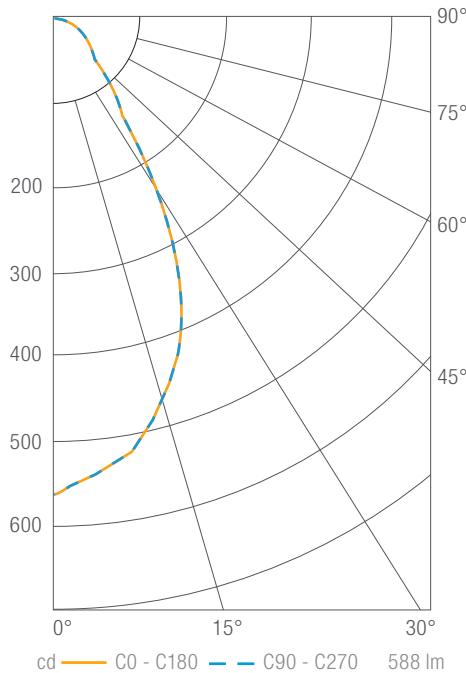
	DRD2M7	DRD2M10
Total Module Lumen Output (lm)	750	1000
Total Rated Power (W)	10.8	12.8
Efficacy (lm/W)	80	85
Color Rendering Index	93+	
CCT Options	2700K, 3000K, 3500K, 4000K	
Optics	Flood	
Binning	2-step SDCM	
Lifetime (L70)	50,000 hours	
Max Ambient Operating Temperature	40°C	
Input Voltage (V)	120/277V, 50/60Hz	
Input Current at 120V (Max)	0.090	0.107
Input Current at 277V (Max)	0.042	0.050
Power Factor	>0.9	
Total Harmonic Distortion	<20%	
Dimming	100% - 5%	



## PHOTOMETRICS

Light Engine: **DRD2M7935** (DRD2 Module, 750 lm, 93 CRI, 3500K)

Trim: **DCD2TR6SWH** (DCD2 Trim, 6" Aperture, Smooth, White)



Luminous Intensity

Gamma	C 0°
0°	960
5°	924
10°	888
15°	812
20°	723
25°	585
30°	396
35°	239
40°	176
45°	113
50°	96
55°	80
60°	66
65°	53
70°	41
75°	30
80°	20
85°	12
90°	4

Values in candela

Zonal Lumen Summary

Zone	Lumens	Luminaire %
0-30	338	57
0-40	433	74
0-60	531	90
0-90	588	100
0-180	588	100

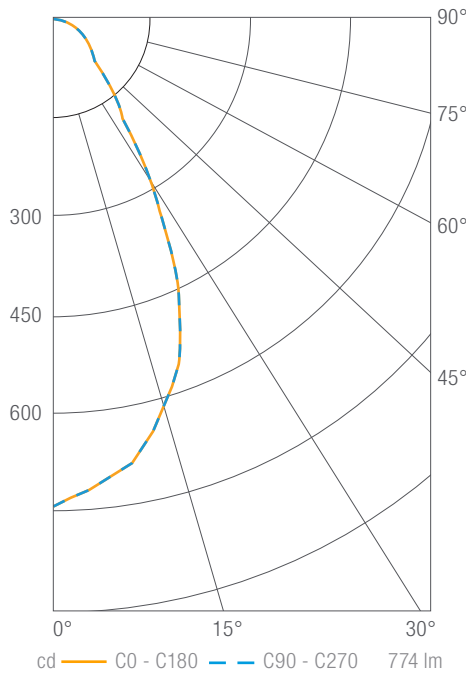
Illuminance Chart

Distance from LED	Foot Candles	Diameter
2.5'	63	4.9'
5.0'	16	10.0'
7.5'	7	14.7'
9.0'	5	17.6'

Beam Angle: 88°

Light Engine: **DRD2M10935** (DRD2 Module, 1000 lm, 93 CRI, 3500K)

Trim: **DCD2TR6SWH** (DCD2 Trim, 6" Aperture, Smooth, White)



Luminous Intensity

Gamma	C 0°
0°	960
5°	924
10°	888
15°	812
20°	723
25°	585
30°	396
35°	239
40°	176
45°	113
50°	96
55°	80
60°	66
65°	53
70°	41
75°	30
80°	20
85°	12
90°	4

Values in candela

Zonal Lumen Summary

Zone	Lumens	Luminaire %
0-30	444	57
0-40	570	74
0-60	699	90
0-90	774	100
0-180	774	100

Illuminance Chart

Distance from LED	Foot Candles	Diameter
2.5'	89	4.9'
5.0'	22	9.7'
7.5'	10	14.6'
9.0'	7	17.5'

Beam Angle: 88°

**PHASE-CONTROL DIMMER COMPATIBILITY****Recommended Phase-control Dimmers** (Dims down to 5% nominal measured light output)

Brand	Series	Model Number	Max Load DRD2M7	Max Load DRD2M10
<b>Control 4</b>	Control 4	C4-APD120	10	9
<b>Cooper</b>	Decorator	DLC03P, DAL06P	25	20
<b>Legrand</b>	Adorne	ADTP703TU	35	30
<b>Lutron</b>	Caseta	PD-6WCL	12	10
	CL Series	AYCL-153, CTCL-153, DVCL-153, LGCL-513, SCL-153, TGCL-513	12	10
	CL Series	AYCL-253, DVCL-253	20	15
	Grafik Eye 3000	QSGR-3P	30	25
	Grafik Sys / Homeworks	RPM-4A	25	20
	Grafik Sys / Homeworks	RPM-4U	30	25
	Maestro CL	MACL-153M, MSCL-OP153M, MSCL-VP153M	12	10
	Maestro Wireless	MRF2-6ELV, MRF2-6CL	12	10
	Radio RA	RRD-6NA, RRD-6CL, RRD-6D	12	10

**Compatible Phase-control Dimmers<sup>1</sup>** (Dims down to 20% nominal measured light output)

Brand	Series	Model Number	Max Load DRD2M7	Max Load DRD2M10
<b>Cooper</b>	Slide	SLC03P, SAL06P	25	20
<b>Legrand</b>	Harmony	H703PTU, HCL453P	30	25
<b>Leviton</b>	IlumaTech Slide	IPE04	25	20
	SureSlide	6621, 6674	10	10
<b>Lutron</b>	Diva	DV-600	12	10
	Maestro	MA-600	12	9
	Maestro ELV	MAELV-600, MSCELV-600	35	30
	Maestro Wireless	MRF2-6ND	12	10
	Power Booster	PHPM-PA, PHPM-WBX	25	20
	Sunrise	SR400RPC120, ZP260QEW	20	15
<b>Watt Stopper</b>	Digital Light Management	LMRC-221	160	150
	Dimming Sensor	PW-100D	14	12

<sup>1</sup> Dimmer compatibility reflects performance compatibility only. Please reference your local codes for application.





## 0-10V DIMMER COMPATIBILITY

---

Recommended 0-10V Dimmers (Dims down to 1% nominal measured light output)

Brand	Series	Model Number	Max Load DRD2M7	Max Load DRD2M10
Legrand	Titan	CD4FB	80	65
Leviton	IllumaTech	IP710-DLZ	40	30
Lithonia	Synergy	ISD BC	35	30
Lutron	Diva	DVTV	60	50
	Nova	NFTV	60	50
	Nova	NTSTV-DV	60	50
	PowPak	RMJ-5T-DV	60	50