



# Classic Frame & DRD2X

Apex Series Recessed LED Downlight

Commercial Remodel

6", 8" Aperture

## PRODUCT SPECIFICATIONS



- High-performance Apex Series DRD2
- Architectural-grade illumination produces up to 4000 candelas of focused light
- Precise, controlled optics with 20°, 30° or 40° beam angles
- 600 & 750 lumen outputs
- Flicker-free TRIAC/ELV, 0-10V or Lutron Hi-lume 1% dimming



Twist & Lock



Wet location rated



50,000 hrs lifetime



5 yr Warranty

### Frame-in Kit

**MOUNTING FRAME:** Die-formed sheet metal.

**JUNCTION BOX:** Galvanized steel. Equipped with (4) 1/2" and (2) 3/4" knockouts with pryout slots to allow straight conduit runs. Junction box tension spring allows snap-in installations of plate cover for easy access to wiring. Approved for 8 (four-in, four-out) #12 AWG 90 through wire conductors

**MOUNTING:** 4 tempered steel spring clips to secure housing to existing ceiling.

**CEILING:** 1/2" up to 1".

**CUTOUT:** 6 5/8" (6" frame-in kit), 8 1/16" (8" frame-in kit).

### Light Engine

**LED:** Tightly binned, high performing white Cree® LED.

**LUMEN OUTPUT (POWER):** 600 lm (10.0W), 750 lm (12.5W).

**COLOR QUALITY:** 90+ CRI, 2-step SDCM.

**CCT OPTIONS:** 2700K, 3000K, 3500K, 4000K.

**OPTICS:** Spot (20°), Narrow Flood (30°), Flood (40°).

**CENTER BEAM CANDLE POWER:** 4000cd (Spot 750 lm).

**CONNECTOR:** PowerPlug® Luminaire Disconnect Model 182 (TRIAC/ELV), Model 102 (0-10V, Lutron Hi-lume® 1% and/or emergency lighting).

**INPUT VOLTAGE:** 120/277V.

**DIMMING:** Down to less than 5% for TRIAC/ELV at 120V or 0-10V at 120/277V. Down to less than 1% for Lutron Hi-lume® 1% at 120/277V.

**EMERGENCY LIGHTING:** Optional Emergency LED Driver for lighting up to 90 minutes in event of power failure.

**LIFETIME:** 50,000 hours at 70% lumen maintenance.

**PHOTOMETRIC TESTING:** Tested in accordance to IESNA LM-79-2008.

**LISTINGS:** cULus Listed. ENERGY STAR® qualified. Title 24 compliant. UL Listed for Wet location.

**WARRANTY:** 5 year limited warranty.

### Trim

**CONSTRUCTION:** Self flanged, spun aluminum reflector. Twist & Lock mounting allows easy tool-free field installation and tight ceiling fit.

**FINISH:** White, Alzak® low iridescent reflector with white flange.

Product Code:	Type:		
Project:	Contact:	Date:	



# Classic Frame & DRD2X

Apex Series Recessed LED Downlight

Commercial Remodel

6", 8" Aperture

## PRODUCT SELECTION GUIDE

### FRAME-IN KIT (Product Code Example: DCDH + R + 6 = DCDHR6)

PRODUCT CODE		APPLICATION		APERTURE		DRIVER	
<input type="text"/>	<input type="text"/>	<input type="text"/>	<input type="text"/>	<input type="text"/>	<input type="text"/>	<input type="text"/>	<input type="text"/>
<b>DCDH</b>	Housing	<b>R</b>	Remodel	<b>6</b>	6" Aperture	<b>[Blank]</b>	Integrated TRIAC/ELV
				<b>8</b>	8" Aperture	<b>6OX</b>	0-10V, 600 lm
						<b>7OX</b>	0-10V, 750 lm
						<b>6CX</b>	Lutron LDE1 <sup>2</sup> , 600 lm
						<b>7CX</b>	Lutron LDE1 <sup>2</sup> , 750 lm
						<b>6WX</b>	Lutron L3DA3W <sup>3</sup> , 600 lm
						<b>7WX</b>	Lutron L3DA3W <sup>3</sup> , 750 lm

### LIGHT ENGINE (Product Code Example: DRD2X + 06 + 9 + 27 + S + W = DRD2X06927SPWH)

PRODUCT CODE		LUMENS		CRI	CCT	OPTIC		FINISH		DRIVER			
<input type="text"/>	<input type="text"/>	<input type="text"/>	<input type="text"/>	<input type="text"/>	<input type="text"/>	<input type="text"/>	<input type="text"/>	<input type="text"/>	<input type="text"/>	<input type="text"/>	<input type="text"/>		
<b>DRD2X</b>	Apex Module	<b>06</b>	600 lm	<b>9</b>	90+ CRI	<b>27</b>	2700K	<b>SP</b>	Spot	<b>WH</b>	White	<b>[Blank]</b>	Integrated TRIAC/ELV
		<b>07</b>	750 lm			<b>30</b>	3000K	<b>NF</b>	Narrow Flood	<b>BK</b>	Black	<b>A</b>	Alternate Dimming <i>Must be selected if 0-10V, Lutron Hi-Lume 1% driver is selected for frame-in kit</i>
						<b>35</b>	3500K	<b>FL</b>	Flood				
						<b>40</b>	4000K						

### TRIMS (Product Code Example: DCD2T + R + 6 + S + WH = DCD2TR6SWH)

PRODUCT CODE		SHAPE		APERTURE		STYLE		FINISH	
<input type="text"/>	<input type="text"/>	<input type="text"/>	<input type="text"/>	<input type="text"/>	<input type="text"/>	<input type="text"/>	<input type="text"/>	<input type="text"/>	<input type="text"/>
<b>DCD2T</b>	Trim	<b>R</b>	Round	<b>6</b>	6" Aperture	<b>S</b>	Smooth	<b>WH</b>	White
				<b>8</b>	8" Aperture			<b>AZ</b>	Low Iridescent Reflector, White Flange
								<b>CC</b>	Custom Color

<sup>1</sup> Lutron LDE1 Dimming refers to Lutron Hi-Lume 1% EcoSystem LED driver with Soft-on, Fade-to-Black™

<sup>2</sup> Lutron L3DA3W Dimming refers to Lutron Hi-Lume 1% 3-wire LED driver



# Classic Frame & DRD2X

Apex Series Recessed LED Downlight

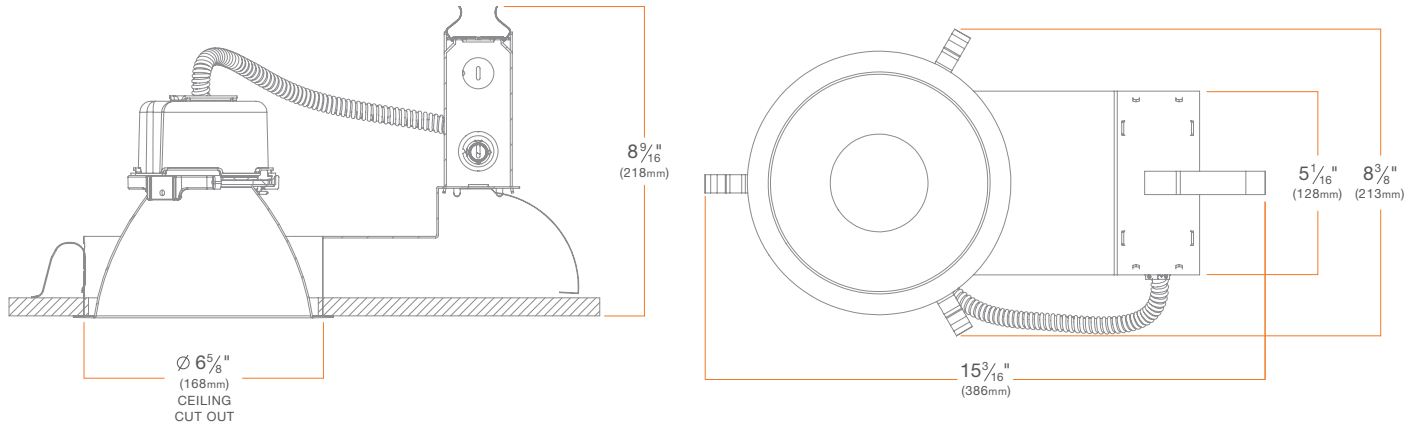
Commercial Remodel

6", 8" Aperture

## FRAME-IN KIT DIMENSIONS

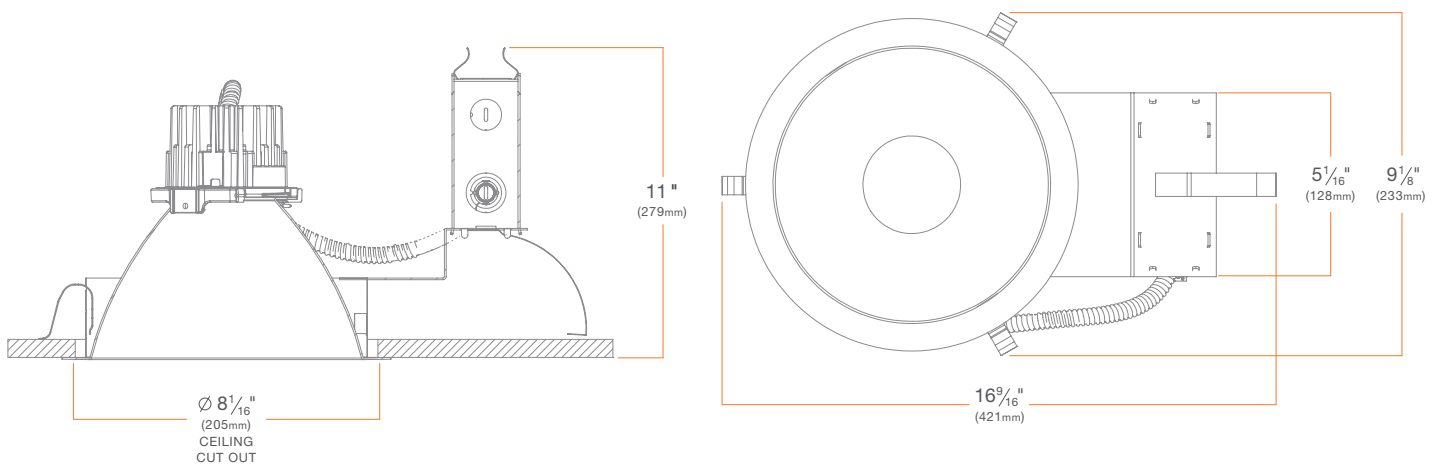
### DCDHR6

6" Commercial Remodel  
Frame-in Kit



### DCDHR8

8" Commercial Remodel  
Frame-in Kit





# Classic Frame & DRD2X

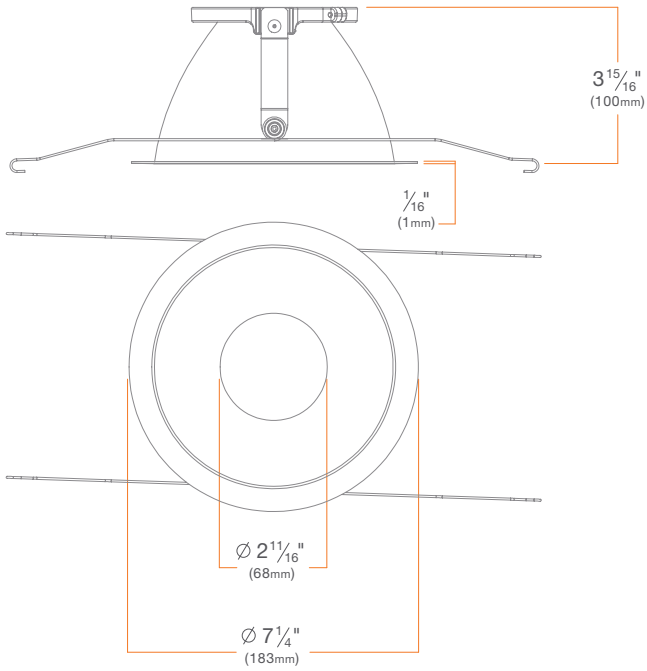
Apex Series Recessed LED Downlight

Commercial Remodel

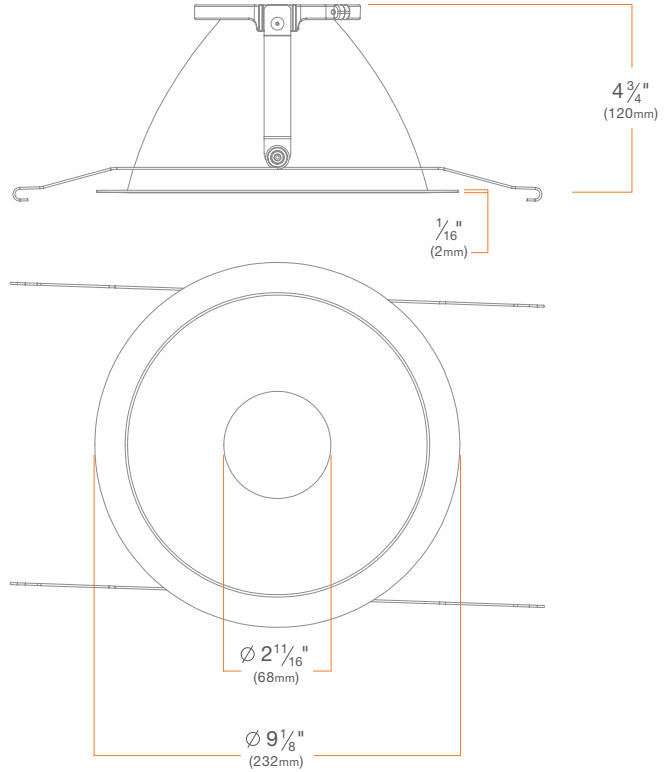
6", 8" Aperture

## TRIM DIMENSIONS

**DCD2TR6**  
6" Commercial Trim



**DCD2TR8**  
8" Commercial Trim





# Classic Frame & DRD2X

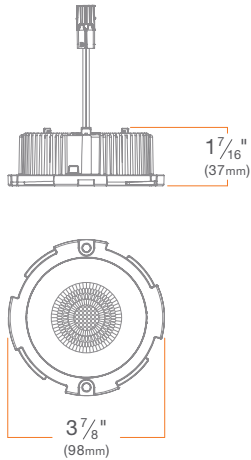
Apex Series Recessed LED Downlight

Commercial Remodel

6", 8" Aperture

## LIGHT ENGINE OVERVIEW

**DRD2X**  
Apex Series  
LED Module



	DRD2X06	DRD2X07
Total Module Lumen Output (lm)	600	750
Total Rated Power (W)	10.0	12.5
Efficacy (lm/W)	60	60
Color Rendering Index	90+	
CCT Options	2700K, 3000K, 3500K, 4000K	
Optics	Spot, Narrow Flood, Flood	
Binning	2-step SDCM	
Lifetime (L70)	50,000 hours	
Max Ambient Operating Temperature	40°C	
Input Voltage (V)	120/277V, 50/60Hz	
Input Current at 120V (Max)	0.090	0.107
Input Current at 277V (Max)	0.042	0.050
Power Factor	>0.9	
Total Harmonic Distortion	<20%	
Dimming	100% - 5%	

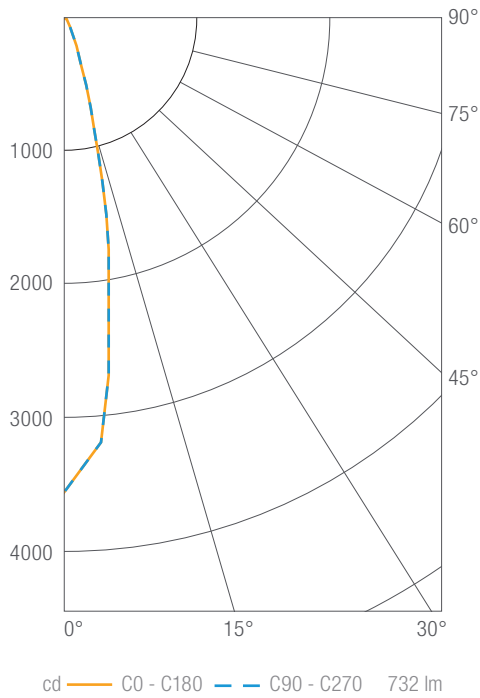


# Classic Frame & DRD2X

Apex Series Recessed LED Downlight  
Commercial Remodel  
6", 8" Aperture

## PHOTOMETRICS

Light Engine: **DRD2X07930SPWH** (DRD2X Apex Module, 750 lm, 90 CRI, 3000K, Spot, White)  
Trim: **DCD2TR6SWH** (DCD2 Trim, 6" Aperture, Smooth, White)



### Luminous Intensity

Gamma	C 0°
0.0°	3569
5.0°	3203
10.0°	1981
15.0°	908
20.0°	397
25.0°	195
30.0°	111
35.0°	75
40.0°	53
45.0°	36
50.0°	26
55.0°	20
60.0°	14
65.0°	8
70.0°	4
75.0°	1
80.0°	0
85.0°	1
90.0°	0

Values in candela

### Zonal Lumen Summary

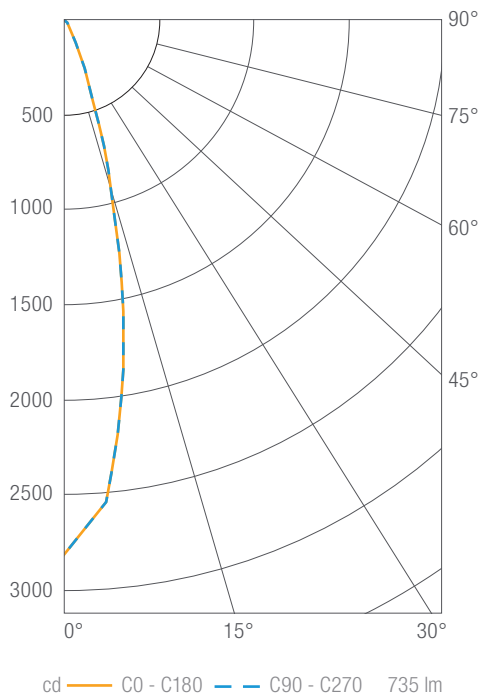
Zone	Lumens	Luminaire %
0-30	630	86
0-40	677	93
0-60	722	99
0-90	732	100
0-180	732	100

### Illuminance Chart

Distance from LED	Foot Candles	Diameter
3.0'	397	1.1'
6.0'	99	2.2'
9.0'	44	3.3'
12.0'	25	4.4'

Beam Angle: 20°

Light Engine: **DRD2X07930NFWH** (DRD2X Apex Module, 750 lm, 90 CRI, 3000K, Narrow Flood, White)  
Trim: **DCD2TR6SWH** (DCD2 Trim, 6" Aperture, Smooth, White)



### Luminous Intensity

Gamma	C 0°
0.0°	2814
5.0°	2546
10.0°	1818
15.0°	1002
20.0°	451
25.0°	202
30.0°	102
35.0°	59
40.0°	39
45.0°	28
50.0°	20
55.0°	15
60.0°	10
65.0°	7
70.0°	5
75.0°	3
80.0°	0
85.0°	0
90.0°	0

Values in candela

### Zonal Lumen Summary

Zone	Lumens	Luminaire %
0-30	649	87
0-40	693	93
0-60	731	98
0-90	743	100
0-180	743	100

### Illuminance Chart

Distance from LED	Foot Candles	Diameter
3.0'	313	1.5'
6.0'	78	2.9'
9.0'	35	4.4'
12.0'	20	5.8'

Beam Angle: 28°



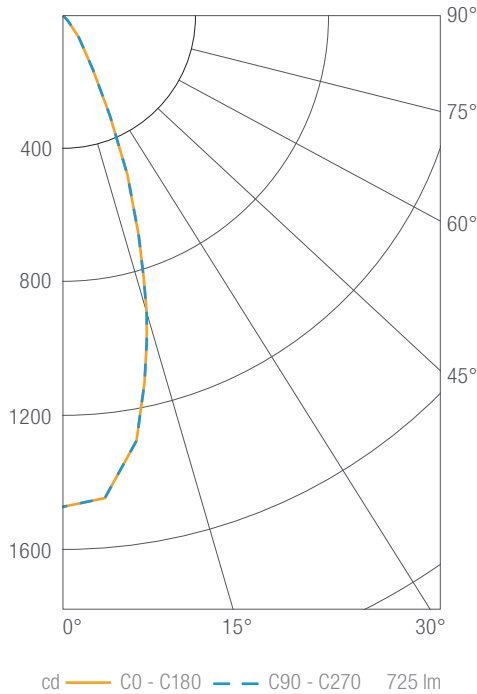
# Classic Frame & DRD2X

Apex Series Recessed LED Downlight  
Commercial Remodel  
6", 8" Aperture

## PHOTOMETRICS

Light Engine: **DRD2X07930FLWH** (DRD2X Apex Module, 750 lm, 90 CRI, 3000K, Flood, White)

Trim: **DCD2TR6SWH** (DCD2 Trim, 6" Aperture, Smooth, White)



### Luminous Intensity

Gamma	C 0°
0.0°	1474
5.0°	1454
10.0°	1295
15.0°	989
20.0°	632
25.0°	346
30.0°	180
35.0°	95
40.0°	55
45.0°	38
50.0°	28
55.0°	20
60.0°	15
65.0°	11
70.0°	6
75.0°	3
80.0°	2
85.0°	0
90.0°	0

Values in candela

### Zonal Lumen Summary

Zone	Lumens	Luminaire %
0-30	584	81
0-40	655	90
0-60	708	98
0-90	725	100
0-180	725	100

### Illuminance Chart

Distance from LED	Foot Candles	Diameter
3.0'	164	2.1'
6.0'	41	4.1'
9.0'	18	6.2'
12.0'	10	8.3'

Beam Angle: 38°

Light Engine: **DRD2X06930** (DRD2X Apex Module, 600 lm, 90 CRI, 3000K)

### Lumen Scaling

DRD2X06 (600 lm)	DRD2X07 (750 lm)
0.80	1.00

Light Engine: **DRD2X07927, DRD2X07935, DRD2X07940**

### CCT Scaling

DRD2X07927 (2700K)	DRD2X07930 (3000K)	DRD2X07935 (3500K)	DRD2X07940 (4000K)
0.93	1.00	1.00	1.07



# Classic Frame & DRD2X

Apex Series Recessed LED Downlight

Commercial Remodel

6", 8" Aperture

## DIMMER COMPATIBILITY

Recommended Phase-control Dimmers (Dims down to 5% nominal measured light output)

Brand	Series	Model Number	Max Load DRD2X06	Max Load DRD2X07
Control 4	Control 4	C4-APD120	10	9
Cooper	Decorator	DLC03P, DAL06P	25	20
Legrand	Adorne	ADTP703TU	35	30
Lutron	Caseta	PD-6WCL	12	10
	CL Series	AYCL-153, CTCL-153, DVCL-153, LGCL-513, SCL-153, TGCL-513	12	10
	CL Series	AYCL-253, DVCL-253	20	15
	Grafik Eye 3000	QSGR-3P	30	25
	Grafik Sys / Homeworks	RPM-4A	25	20
	Grafik Sys / Homeworks	RPM-4U	30	25
	Maestro CL	MACL-153M, MSCL-OP153M, MSCL-VP153M	12	10
	Maestro Wireless	MRF2-6ELV, MRF2-6CL	12	10
	Radio RA	RRD-6NA, RRD-6CL, RRD-6D	12	10

Compatible Phase-control Dimmers<sup>1</sup> (Dims down to 20% nominal measured light output)

Brand	Series	Model Number	Max Load DRD2X06	Max Load DRD2X07
Cooper	Slide	SLC03P, SAL06P	25	20
Legrand	Harmony	H703PTU, HCL453P	30	25
Leviton	IlumaTech Slide	IPE04	25	20
	SureSlide	6621, 6674	10	10
Lutron	Diva	DV-600	12	10
	Maestro	MA-600	12	9
	Maestro ELV	MAELV-600, MSCELV-600	35	30
	Maestro Wireless	MRF2-6ND	12	10
	Power Booster	PHPM-PA, PHPM-WBX	25	20
	Sunrise	SR400RPC120, ZP260QEW	20	15
Watt Stopper	Digital Light Management	LMRC-221	160	150
	Dimming Sensor	PW-100D	14	12

<sup>1</sup> Dimmer compatibility reflects performance compatibility only. Please reference your local codes for application.





# Classic Frame & DRD2X

Apex Series Recessed LED Downlight

Commercial Remodel

6", 8" Aperture

## 0-10V DIMMER COMPATIBILITY

---

Recommended 0-10V Dimmers (Dims down to 1% nominal measured light output)

Brand	Series	Model Number	Max Load DRD2X06	Max Load DRD2X07
Legrand	Titan	CD4FB	80	65
Leviton	IllumaTech	IP710-DLZ	40	30
Lithonia	Synergy	ISD BC	35	30
Lutron	Diva	DVTV	60	50
	Nova	NFTV	60	50
	Nova	NTSTV-DV	60	50
	PowPak	RMJ-5T-DV	60	50