

LT2

LED Track Light



Highly compatible - works with most track and mono point systems

Minimalist design blends in seamlessly with nearly any aesthetic

Offers great flexibility with a wide array of lenses, filters, and snoot accessories

Specs at a Glance

Lumen Output (Power)	900 lm (16.6W)
Color Quality	90+ CRI, 2-step SDCM
CCT Options	2700K, 3000K, 3500K, 4000K
Optics	Spot (22°), Narrow Flood (27°), Flood (33°)
Finish	White, Black
Adjustment	350° horizontal, 330° vertical
Lifetime (L70)	50,000 hrs
Input Voltage	120V
Dimming	Down to less than 5% for TRIAC/ELV
Accessories	Snoot (white, black), Patterned Lens (linear spread, spread, honeycomb filter), Colored Filter (frosted, blue, red, yellow, green)
Listings	cULus Listed, ENERGY STAR® qualified, California Title 24 2016 JA8 compliant
Warranty	5 years

Product Selection Guide

TRACK LIGHT (Product Code Example: **LT2+9+9+27+D+SP+W = LT29927DSPW**)

PRODUCT CODE		LUMENS (WATTS)		CRI		CCT		INSTALLATION			OPTICS		FINISH	
<input type="text"/>	<input type="text"/>	<input type="text"/>	<input type="text"/>	<input type="text"/>	<input type="text"/>	<input type="text"/>	<input type="text"/>	<input type="text"/>	<input type="text"/>	<input type="text"/>	<input type="text"/>	<input type="text"/>	<input type="text"/>	<input type="text"/>
LT2	Module	9	900 lm (16.1W)	9	90+ CRI	27	2700K	D	DMF Lighting, Halo Compatible Track Adapter	SP	Spot	W	White	
						30	3000K	J	Juno Compatible Track Adapter	NF	Narrow Flood	B	Black	
						35	3500K	L	Lightolier Compatible Track Adapter	FL	Flood			
						40	4000K							

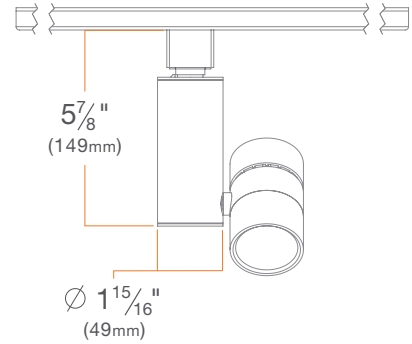
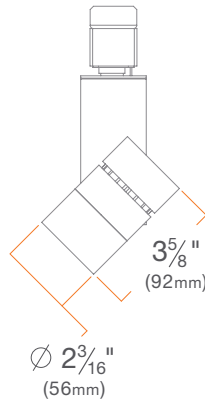
ACCESSORIES

<input type="text"/>											
LSL	Linear Spread Lens	HF	Honeycomb Filter	YF	Yellow Filter	SNW	White Snoot				
SPL	Spread Lens	BF	Blue Filter	GF	Green Filter	SNB	Black Snoot				
FL	Frosted Lens	RF	Red Filter								

Dimensions



LT2
LED Track Light



Accessories

Snoot



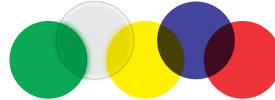
white, black

Patterned Lens



linear spread, spread, honeycomb

Colored Filter



green, frosted, yellow, blue, red

