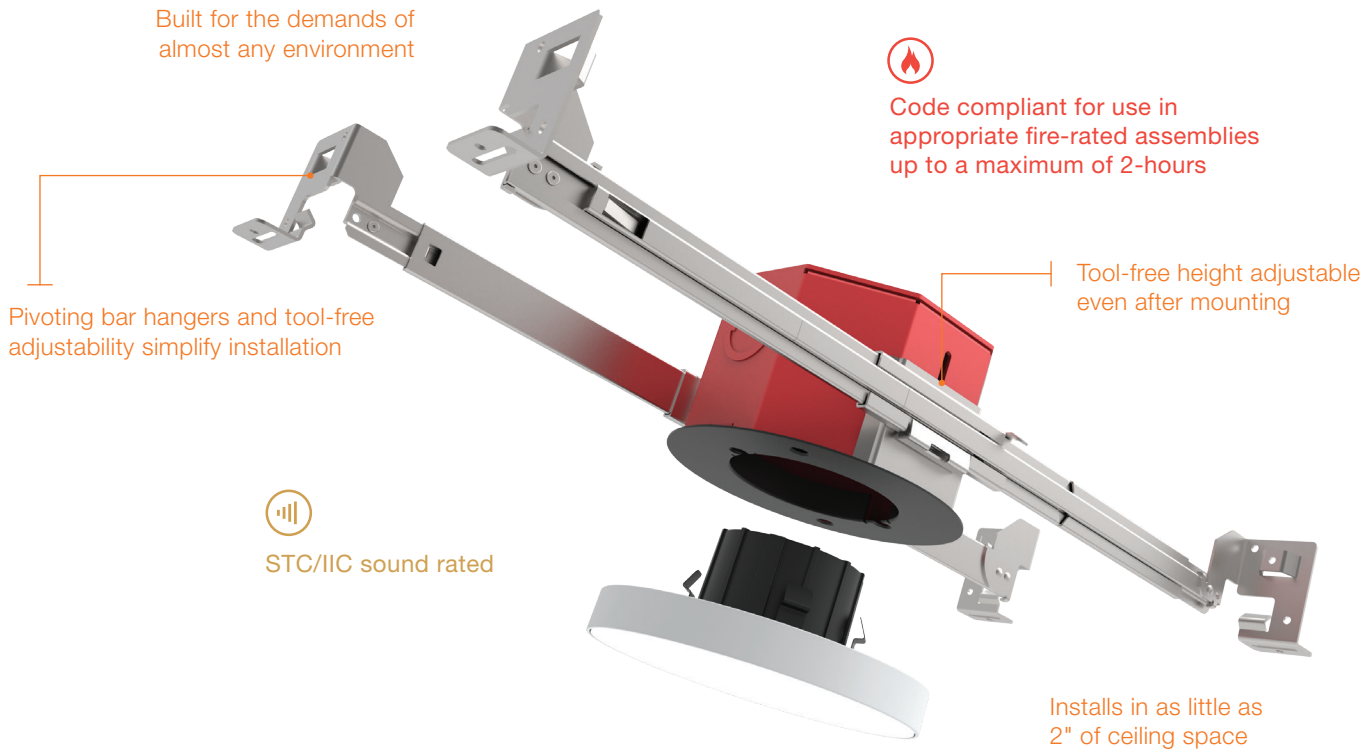


SurfaceFrame

DRD5S Surface Mount LED Downlight



Specs at a Glance

Application	New Construction
Module	DRD5S
Module Finish	White
Lumen Output (Power)	750 lm (9.0W), 1000 lm (12.0W)
Efficiency	83 lm/W
Color Quality	90+ CRI, < 3-step SDCM
CCT Options	3000K
Lifetime (L70)	50,000 hrs
Input Voltage	120V – Contact DMF for future availability of 277V
Dimming	Down to less than 5% for TRIAC/ELV at 120V – Contact DMF for future availability of additional dimming options
Listings	cULus Listed, DRDHNJO metallic outlet box certified UL514A, STC/IIC Sound Rated, IC rated, ASTM E283 certified Air Tight, ENERGY STAR® qualified, California Title 24 2016 JA8 compliant, UL Listed for Wet Location
Warranty	5 years

Product Selection Example

See spec sheets for complete ordering information and options

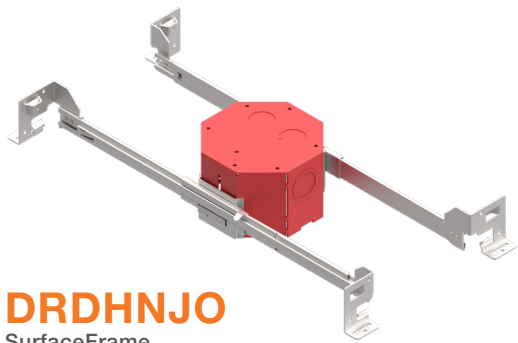
FRAME-IN KIT (Product Code Example: DRDH + N + JO = DRDHNJO)

PRODUCT CODE	APPLICATION	APERTURE	DRIVER
<input type="text"/>	<input type="text"/>	<input type="text"/>	<input type="text"/>
DRDH Housing	N New Construction	JO Octagonal Junction Box	[Blank] Integrated Dimming

LIGHT ENGINE (Product Code Example: DRD5S + 4 + R + 07 + 9 + 30 = DRD5S4R07930)

PRODUCT CODE	APERTURE	SHAPE	LUMENS	CRI	CCT	DRIVER
<input type="text"/>	<input type="text"/>	<input type="text"/>	<input type="text"/>	<input type="text"/>	<input type="text"/>	<input type="text"/>
DRD5S Module	4 4" Aperture	R Round	07 750 lm	9 90+ CRI	30 3000K	[Blank] TRIAC/ELV
			10 1000 lm			

Dimensions



DRDHNJO
SurfaceFrame
Octagonal Junction Box

