

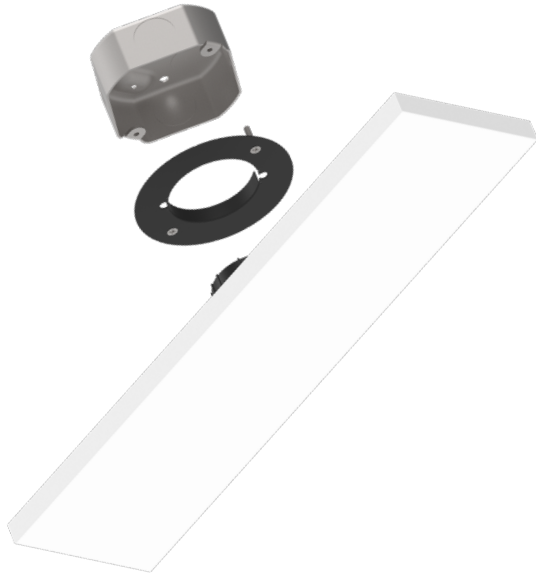
DRD5S

18" Linear Surface Mount LED Area Light






Retrofit
Junction Box

Project:	Type:
Product Code:	Date:

Spec Sheet V-04.15.19



- 18" rectangular area light perfect for narrow applications such as corridors or kitchen islands
- Extends just 0.6 inches below the ceiling plane to minimize visual profile
- Utilizing a compact, integrated driver allows DRD5S to install into most metallic octagonal and non-metallic round junction boxes

Application Retrofit		Junction Box 40 Octagonal, 40 Round, 30 Round	
Delivered Lumens 1500 lm (17W)		Color Quality 90+ CRI, < 3-step SDCM	
Color Temperature  2700K 3000K 3500K		Input Voltage 120/277V	
Shape 18" x 4" Rectangle		Dimming TRIAC/ELV, 0-10V	
Standards   		Module Ratings  UL Listed for Wet Location	
		Guarantee 50,000 hrs 5 years	

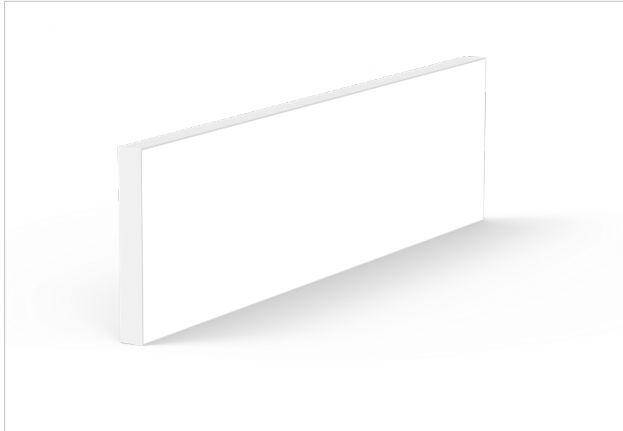


PRODUCT BUILDER

LED MODULE

PRODUCT CODE		DIMENSION		SHAPE		LUMENS		CRI		CCT		DRIVER	
DRD5S	Module	4	4" Width	L	Linear	15	1500 lm	9	90+ CRI	27	2700K	[Blank]	TRIAC/ELV
										30	3000K	O	0-10V
										35	3500K		

MODULE


DRD5S

18" Linear Surface Mount LED Module

DRD5S

SUMMARY

LED: Samsung optimized LED array

SHAPE: 18" x 4" rectangle

MODULE LUMENS: 1500 lm (17W)

COLOR QUALITY: 90+ CRI, less than 3-step SDCM

CCT: 2700K, 3000K, 3500K

INPUT VOLTAGE: 120/277V

DIMMING: TRIAC/ELV at 120V, 0-10V at 120/277V

MAX INPUT CURRENT (120V): 0.15 amps

MAX INPUT CURRENT (277V): 0.06 amps

POWER FACTOR: Greater than 0.9

TOTAL HARMONIC DISTORTION: Less than 20%

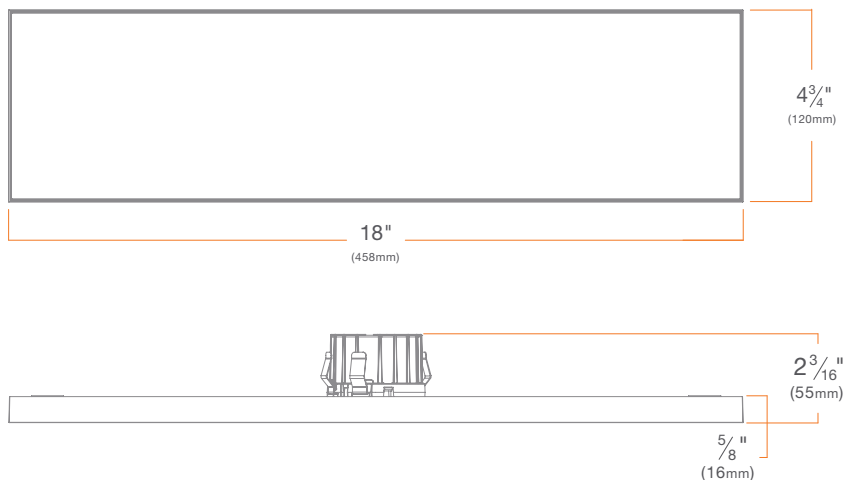
AMBIENT OPERATING TEMPERATURE: -20°C to 40°C

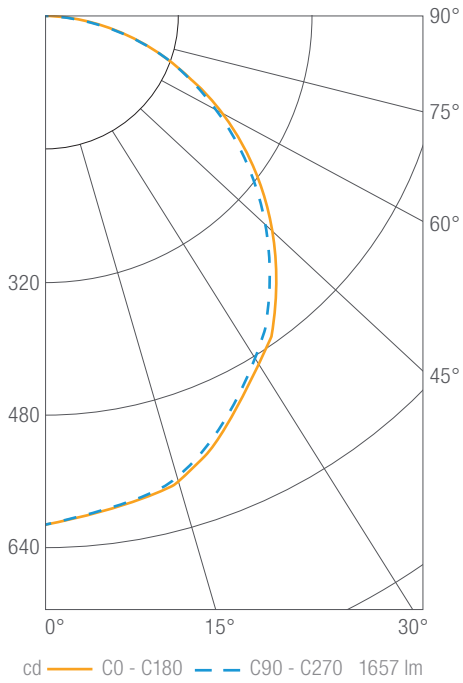
PHOTOMETRIC TESTING: Tested in accordance to IESNA LM-79-2008

TRIM: Edgeless die-cast aluminum

LISTINGS: ENERGY STAR® qualified, California Title 24 2016 JA8 compliant, UL Listed for Wet Location, cULus Listed

LIFETIME: 50,000 hours at 70% lumen maintenance

WARRANTY: 5 year limited warranty


PHOTOMETRY
DRD5S 18" Linear, 1500 lm, 90 CRI, 3000K DRD5S4L15930

Luminous Intensity

Gamma	C 0°
0°	567
5°	564
10°	556
15°	542
20°	523
25°	499
30°	469
35°	433
40°	400
45°	360
50°	318
55°	279
60°	232
65°	189
70°	145
75°	100
80°	57
85°	25
90°	2

Values in candela

Zonal Lumen Summary

Zone	Lumens	Luminaire %
0-30	465	28
0-40	755	46
0-60	1316	79
0-90	1657	100
0-180	1657	100

Illuminance Chart

Distance from LED	Foot Candles	Dimension
3.0'	68	8.2' x 8.4'
6.0'	17	16.3' x 16.7'
9.0'	8	24.5' x 25.1'
12.0'	4	32.7' x 33.4'

Beam Angle: 110°



DIMMER COMPATIBILITY

Recommended Phase-control Dimmers (Dims down to 5% nominal measured light output)

Brand	Series	Model Number	Max Load
Cooper	Aspire	9573	17
Leviton	Vizia	VPE06	35
Lutron	CL Series	AYCL-253, DVCL-253	15
	Grafik Eye 3000	QSGR-3P, QSGR-6P	17
	Grafik Sys / Homeworks	RPM-4U	26
	Maestro CL	MACL-153M, MSCL-OP153M, MSCL-VP153M	9

**JUNCTION BOX COMPATIBILITY**

Recommended Junction Boxes

Junction Box	Minimum Depth	Minimum Volume	Through-Wire Ratings
40 Octagonal Junction Box (metallic)	1 1/2"	15.5 in ³	4 (two in, two out) #12 AWG
40 Octagonal Junction Box (metallic)	2 1/8"	21.5 in ³	6 (three in, three out) #12 AWG
30 Round Junction Box (non-metallic)	2 3/4"	18 in ³	4 (two in, two out) #12 AWG
40 Round Junction Box (non-metallic)	2 3/16"	20 in ³	4 (two in, two out) #12 AWG