

# DRD5S & SurfaceFrame

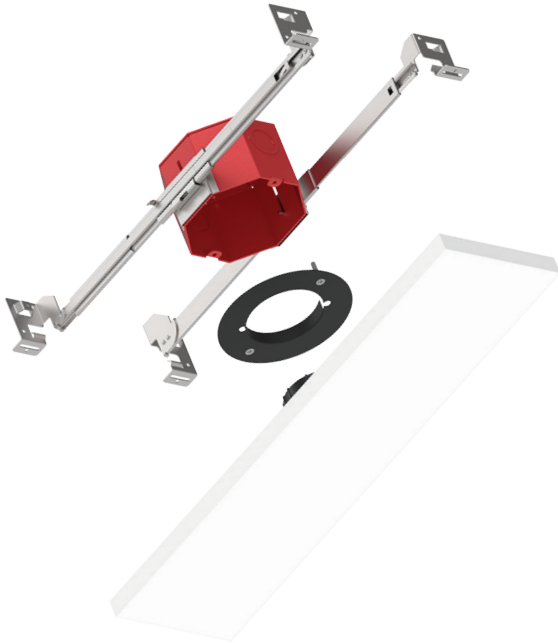
## 18" Linear Surface Mount LED Area Light

New Construction










DRDHNJO Octagonal Junction Box

Project:	Type:
Product Code:	Date:

Spec Sheet V-04.15.19



- 18" rectangular area light perfect for narrow applications such as corridors or kitchen islands
- Extends just 0.6" below the ceiling plane to minimize visual profile
- Features multiple ratings to meet the demands of a wide range of situations

<b>Application</b> New Construction		<b>Aperture</b> 4" Octagonal Junction Box	
<b>Delivered Lumens</b> 1500 lm (17W)		<b>Color Quality</b> 90+ CRI, < 3-step SDCM	
<b>Color Temperature</b>  2700K    3000K    3500K		<b>Input Voltage</b> 120/277V	
<b>Shape</b> 18" x 4" Rectangle		<b>Dimming</b> TRIAC/ELV, 0-10V	
<b>Shape</b> 18" x 4" Rectangle		<b>Finish</b> White	
<b>Housing Ratings</b>  Code compliant for use in appropriate fire-rated assemblies up to a maximum of 2-hours  STC/IIC Sound Rated  ASTM E283 Certified Air Tight  IC (Insulation Contact) Rated			<b>Module Ratings</b>  UL Listed for Wet Location
<b>Standards</b>   		<b>Guarantee</b> 50,000 hrs   5 years	
		<b>Additional Options</b> Lutron Hi-lume® Dimming, Emergency Lighting	



# DRD5S & SurfaceFrame

## 18" Linear Surface Mount LED Area Light

General New Construction  
DRDHNJO Octagonal Junction Box

### PRODUCT BUILDER

#### HOUSING

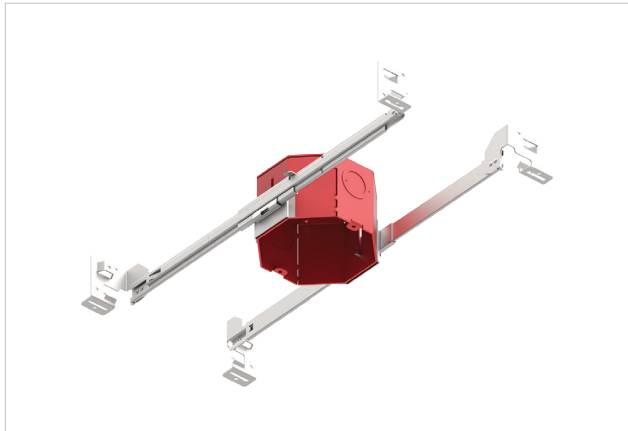
PRODUCT CODE		APPLICATION		APERTURE	
<input type="text"/>	<input type="text"/>	<input type="text"/>	<input type="text"/>	<input type="text"/>	<input type="text"/>
<b>DRDH</b>	Housing	<b>N</b>	New Construction	<b>JO</b>	SurfaceFrame Octagonal Junction Box

#### LED MODULE

PRODUCT CODE		DIMENSION		SHAPE		LUMENS		CRI		CCT		DRIVER	
<input type="text"/>	<input type="text"/>	<input type="text"/>	<input type="text"/>	<input type="text"/>	<input type="text"/>	<input type="text"/>	<input type="text"/>	<input type="text"/>	<input type="text"/>	<input type="text"/>	<input type="text"/>	<input type="text"/>	<input type="text"/>
<b>DRD5S</b>	Module	<b>4</b>	4" Width	<b>L</b>	Linear	<b>15</b>	1500 lm	<b>9</b>	90+ CRI	<b>27</b>	2700K	<b>[Blank]</b>	TRIAC/ELV
										<b>30</b>	3000K	<b>O</b>	0-10V
										<b>35</b>	3500K		



### HOUSING



## SurfaceFrame

New Construction Octagonal Junction Box

**DRDHNJO**

### SUMMARY

**JUNCTION BOX:** Equipped with (4) 1/2" trade size knockouts (two side, two top) to allow straight conduit runs. Approved for 6 (three in, three out) #12 AWG 70°C through wiring conductors.

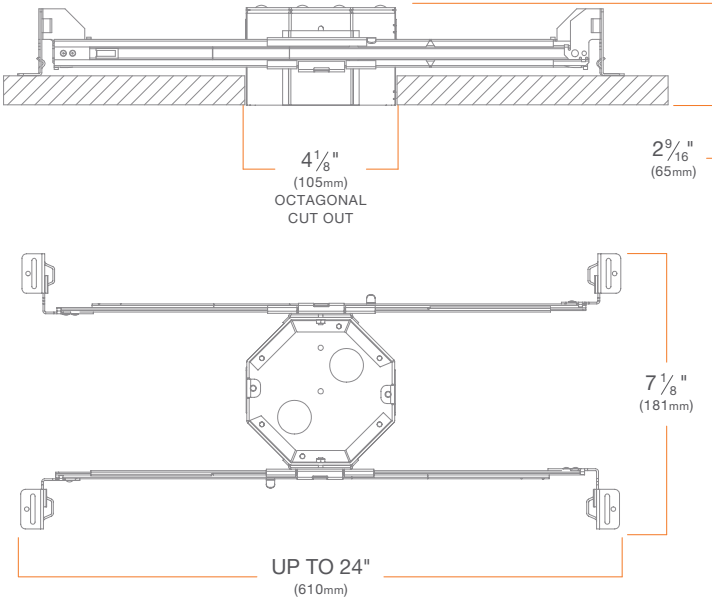
**MOUNTING:** Pre-installed mounting brackets allow vertical adjustment of bar hangers up to 1"

**CEILING:** 1/2" up to 1 3/4"

**CUTOUT:** 4 1/8" (105mm) octagonal opening

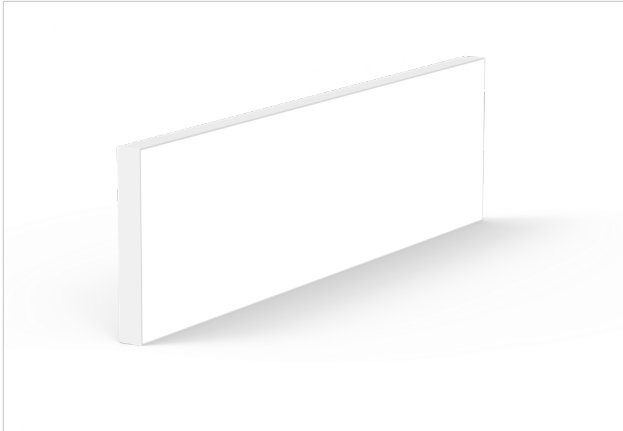
**LISTINGS:** Metallic outlet box certified UL514A, code compliant for use in appropriate fire-rated assemblies for up to 2-hours, STC/IIC Sound Rated, ASTM E283 certified Air Tight, IC (Insulation Contact) rated

**WARRANTY:** 5 year limited warranty





### MODULE



## DRD5S

18" Linear Surface Mount LED Module

### DRD5S

#### SUMMARY

**LED:** Samsung optimized LED array

**SHAPE:** 18" x 4" rectangle

**MODULE LUMENS:** 1500 lm (17W)

**COLOR QUALITY:** 90+ CRI, less than 3-step SDCM

**CCT:** 2700K, 3000K, 3500K

**INPUT VOLTAGE:** 120/277V

**DIMMING:** TRIAC/ELV at 120V, 0-10V at 120/277V

**MAX INPUT CURRENT (120V):** 0.15 amps

**MAX INPUT CURRENT (277V):** 0.06 amps

**POWER FACTOR:** Greater than 0.9

**TOTAL HARMONIC DISTORTION:** Less than 20%

**AMBIENT OPERATING TEMPERATURE:** -20°C to 40°C

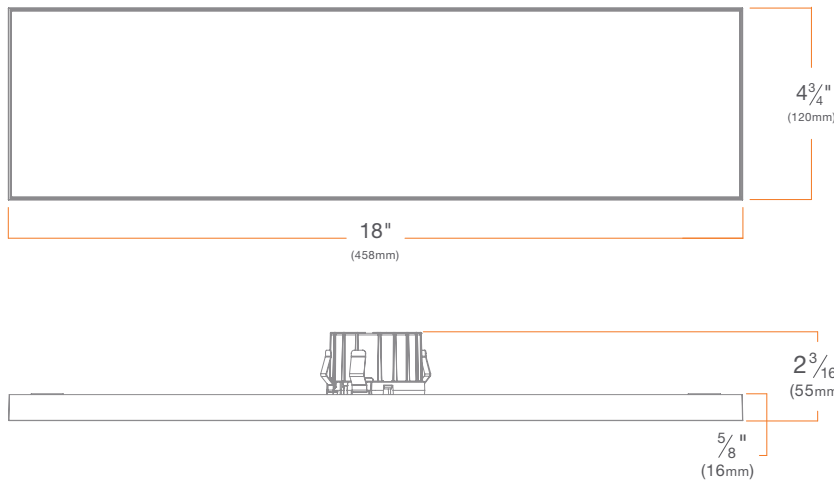
**PHOTOMETRIC TESTING:** Tested in accordance to IESNA LM-79-2008

**TRIM:** Edgeless die-cast aluminum

**LISTINGS:** ENERGY STAR® qualified, California Title 24 2016 JA8 compliant, UL Listed for Wet Location, cULus Listed

**LIFETIME:** 50,000 hours at 70% lumen maintenance

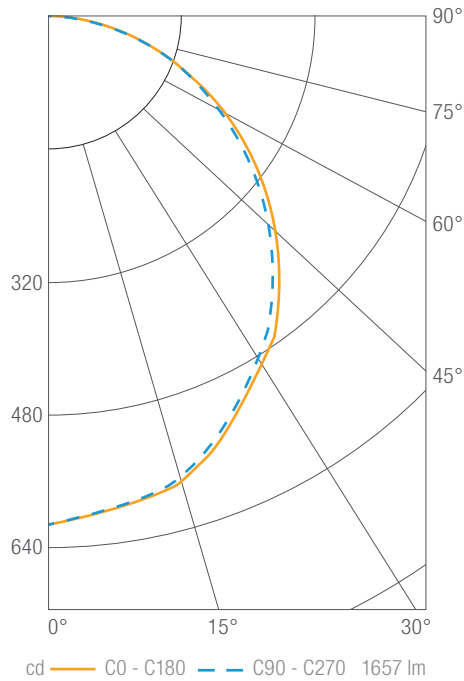
**WARRANTY:** 5 year limited warranty





### PHOTOMETRY

**DRD5S** 18" Linear, 1500 lm, 90 CRI, 3000K **DRD5S4L15930**



Luminous Intensity

Gamma	C 0°
0°	567
5°	564
10°	556
15°	542
20°	523
25°	499
30°	469
35°	433
40°	400
45°	360
50°	318
55°	279
60°	232
65°	189
70°	145
75°	100
80°	57
85°	25
90°	2

Values in candela

Zonal Lumen Summary

Zone	Lumens	Luminaire %
0-30	465	28
0-40	755	46
0-60	1316	79
0-90	1657	100
0-180	1657	100

Illuminance Chart

Distance from LED	Foot Candles	Dimension
3.0'	68	8.2' x 8.4'
6.0'	17	16.3' x 16.7'
9.0'	8	24.5' x 25.1'
12.0'	4	32.7' x 33.4'

Beam Angle: 110°



**DIMMER COMPATIBILITY**

**Recommended Phase-control Dimmers** (Dims down to 5% nominal measured light output)

Brand	Series	Model Number	Max Load
Cooper	Aspire	9573	17
Leviton	Vizia	VPE06	35
Lutron	CL Series	AYCL-253, DVCL-253	15
	Grafik Eye 3000	QSGR-3P, QSGR-6P	17
	Grafik Sys / Homeworks	RPM-4U	26
	Maestro CL	MACL-153M, MSCL-OP153M, MSCL-VP153M	9



# SurfaceFrame Options

## Shallow Recessed LED Downlight

### **DRD2 & SurfaceFrame**

DRDHNJO Octagonal Junction Box

### **DRD2 & SurfaceFrame Alt/EM**

Alternate Dimming and/or Emergency Lighting

DRDHNJO Octagonal Junction Box

## Apex Series Shallow Recessed LED Downlight

### **DRD2X & SurfaceFrame**

DRDHNJO Octagonal Junction Box

### **DRD2X & SurfaceFrame Alt/EM**

Alternate Dimming and/or Emergency Lighting

DRDHNJO Octagonal Junction Box

## Surface Mount LED Downlight

### **DRD5S & SurfaceFrame**

DRDHNJO Octagonal Junction Box

### **DRD5S & SurfaceFrame Alt/EM**

Alternate Dimming and/or Emergency Lighting

DRDHNJO Octagonal Junction Box