

DCP9

LED Pendant


Cord, Stem Mount

Project:	Type:
Product Code:	Date:

Spec Sheet V-08.15.19



- Versatile LED pendant supports the lighting needs of standard open and high ceilings alike
- Produces up to 9,000 lm of commercial high-lumen illumination
- Die-cast aluminum with no visible hardware for a sleek, completely symmetrical design
- Precision-injected, frosted prismatic shade
- Customizable with multiple mounting and finish options

Lumen Output 1500 lm (15W), 2000 lm (23W), 3000 lm (32W), 4000 lm (43W), 5000 lm (55W), 9,000 lm (107W)	Mount Stem, Cord	
Color Quality 90+ CRI, 2-step SDCM	Cord/Stem Length Cord: 96"; Stem: 24" (standard) up to 96" (custom)	
Color Temperature   3500K 4000K	Pendant Finish White, Black, Brushed Aluminum	
Input Voltage 120/277V	Dimming 0-10V, Lutron Hi-lume®	Shade Diameter 16"
	Shade Finish Frosted	

Emergency Lighting

Optional Emergency LED Driver for lighting up to 90 minutes in event of power failure

Standards



Guarantee

50,000 hrs | 5 years

PRODUCT BUILDER
LED PENDANT

PRODUCT CODE		MOUNT		LUMENS		CCT		FINISH		DRIVER	
<input type="text"/>		<input type="text"/>		<input type="text"/>		<input type="text"/>		<input type="text"/>		<input type="text"/>	
DCP9	Pendant	CM	Cord Mount ^{1,2}	01	1500 lm	35	3500K	WH	White	O	0-10V
		TM	Stem Mount ¹	02	2000 lm	40	4000K	BK	Black	C	Lutron LDE1 ⁴
				03	3000 lm			BA	Brushed Aluminum	L	Lutron LTEA2W ⁵
				04	4000 lm					OE	0-10V, Emergency Driver
				05	5000 lm ³					CE	Lutron LDE1, Emergency Driver ⁴
				09	9,000 lm ³					LE	Lutron LTEA2W, Emergency Driver ⁵

SHADE

PRODUCT CODE		SHAPE		DIAMETER		STYLE		FINISH	
<input type="text"/>		<input type="text"/>		<input type="text"/>		<input type="text"/>		<input type="text"/>	
DCPS	Shade	R	Round	16	16" Diameter	P	Prismatic	FR	Frosted

¹ Cord: 96" length; Stem: 24" length (standard), up to 96" (custom)

² White cord standard for White finish, black cord standard for Black finish, silver cord standard for Brushed Aluminum finish; unless specified otherwise

³ Only compatible with 0-10V driver

⁴ Lutron LDE1 Dimming refers to Lutron Hi-lume 1% EcoSystem LED driver with Soft-on, Fade-to-Black

⁵ Lutron LTEA2W Dimming refers to Lutron Hi-lume 1% 2-wire LED driver, 120V only

PRODUCT SUMMARY



SUMMARY

LED: Cree® LED

DELIVERED LUMENS: 1500 lm (15W), 2000 lm (23W), 3000 lm (32W), 4000 lm (43W), 5000 lm (55W), 9,000 lm (107W)

EFFICACY: 100 lm/W, 87 lm/W, 94 lm/W, 93 lm/W, 91 lm/W, 84 lm/W

COLOR QUALITY: 90+ CRI, 2-step SDCM

CCT: 3500K, 4000K

DIMMING: Down to less than 1% for 0-10V or Lutron Hi-lume® 1%

INPUT VOLTAGE: 120/277V, 50/60Hz

MAX INPUT CURRENT (120V): 0.11 amps, 0.15 amps, 0.25 amps, 0.34 amps, 0.48 amps, 0.89 amps

MAX INPUT CURRENT (277V): 0.05 amps, 0.06 amps, 0.11 amps, 0.15 amps, 0.21 amps, 0.39 amps

POWER FACTOR: Greater than 0.9

TOTAL HARMONIC DISTORTION: Less than 20%

AMBIENT OPERATING TEMPERATURE: -20°C to 40°C

EMERGENCY LIGHTING: Optional Emergency LED Driver for lighting up to 90 minutes in event of power failure

PHOTOMETRIC TESTING: Tested in accordance to IESNA LM-79-2008

LISTINGS: ENERGY STAR® qualified, California Title 24 2016 compliant, ETL Listed

LIFETIME: 50,000 hours at 70% lumen maintenance

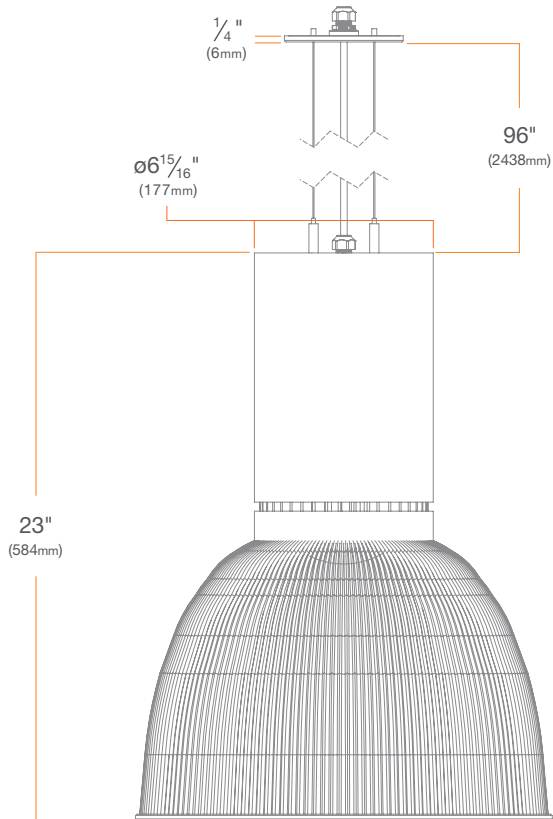
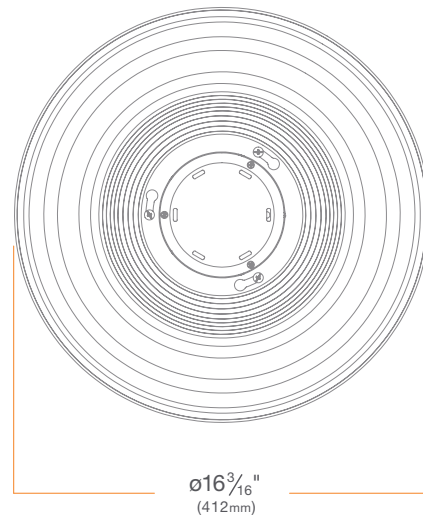
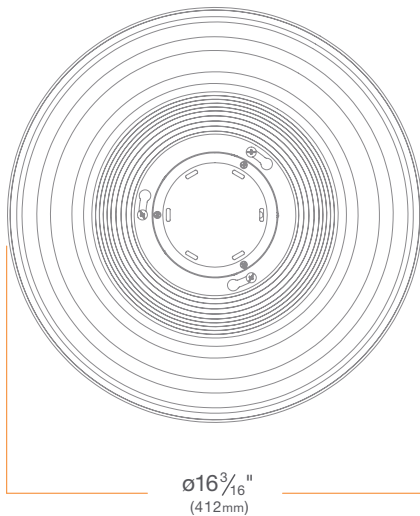
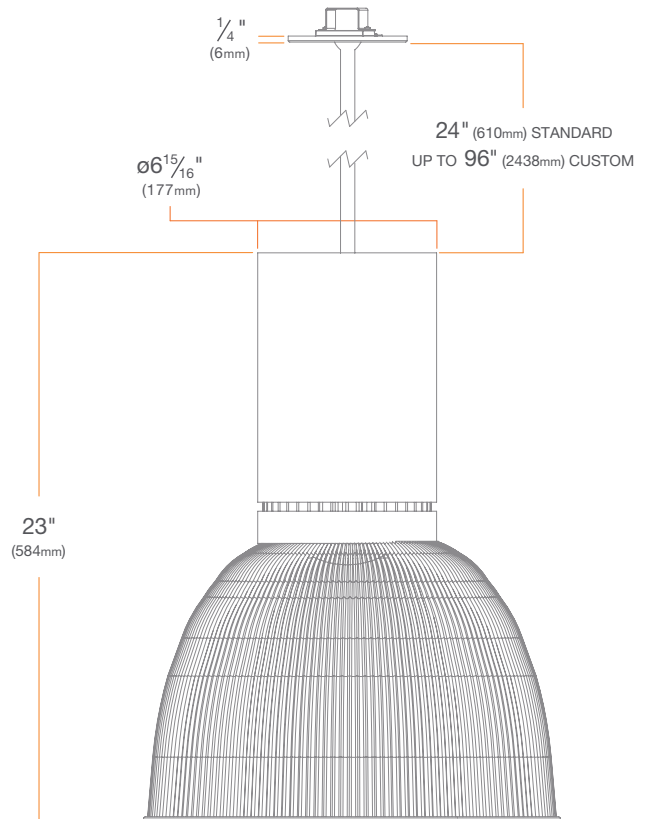
FINISH: White, Black, Brushed Aluminum

CORD: 96" white, black or silver cord with round canopy

STEM: 24" standard (up to 96" custom) painted steel stem with round canopy and hanging straight endpoint with up to 30° tilt (meets CA IR 16-9)

MOUNT: Installs in most 3" octagonal, 4" octagonal, 3" round and 4" round boxes

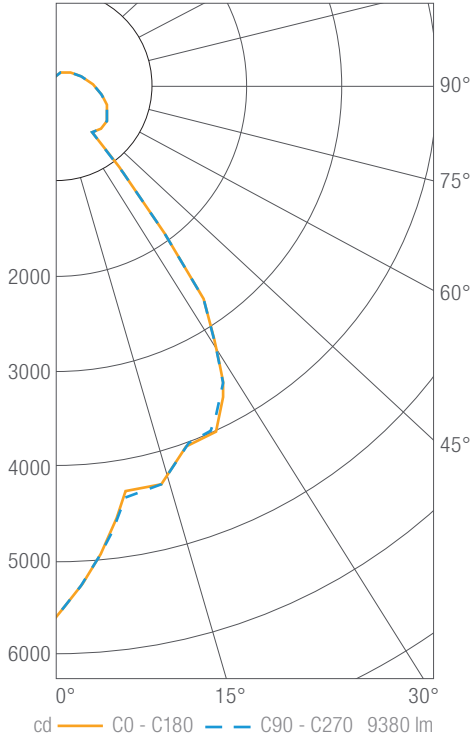
WARRANTY: 5 year limited warranty

PRODUCT DIMENSIONS**Cord Mount
LED Pendant****DCP9CM****Stem Mount
LED Pendant****DCP9TM**

PHOTOMETRY

DCP9 9000 lm, 3500K **DCP9CM0935WHO**

Shade Frosted **DCPSR16PFR**



Luminous Intensity

Gamma	C 0°	Gamma	C 0°
0°	5602	95°	394
5°	5026	100°	364
10°	4326	105°	334
15°	4324	110°	306
20°	4029	115°	281
25°	4010	120°	259
30°	3570	125°	240
35°	2718	130°	224
40°	626	135°	210
45°	641	140°	198
50°	653	145°	186
55°	648	150°	176
60°	636	155°	165
65°	611	160°	155
70°	580	165°	142
75°	542	170°	123
80°	499	175°	102
85°	459	180°	108
90°	423		

Values in candela

Zonal Lumen Summary

Zone	Lumens	Luminaire %
0-30	3458	37
0-40	4907	52
0-60	5985	64
0-90	7696	82
0-180	9380	100

Illuminance Chart

Distance from LED	Foot Candles	Diameter
12'	39	16.5'
14'	29	19.2'
18'	17	24.7'
20'	14	27.5'

Beam Angle: 68°