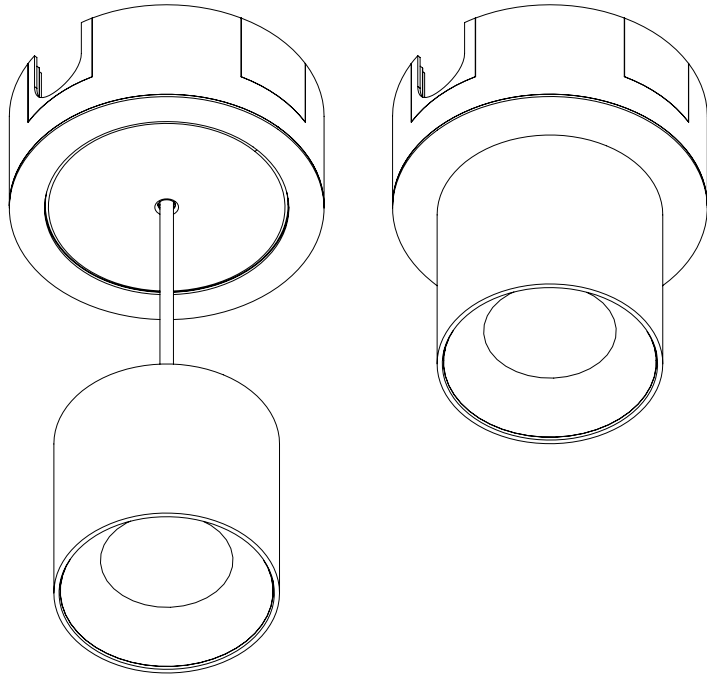


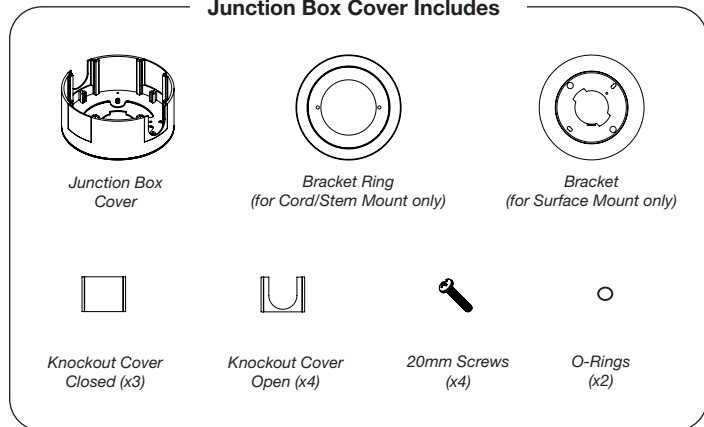


DCC

Junction Box Cover



Junction Box Cover Includes

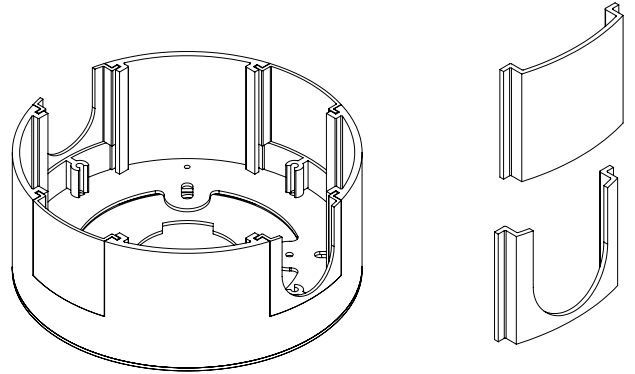


For use with DMF Lighting's DCC Cylinder in open ceiling applications only. Compatible with most 40 octagonal and 4S square junction boxes.

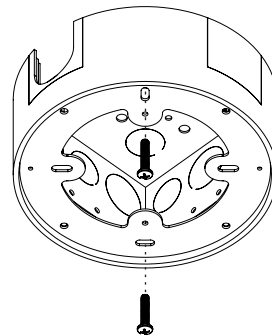
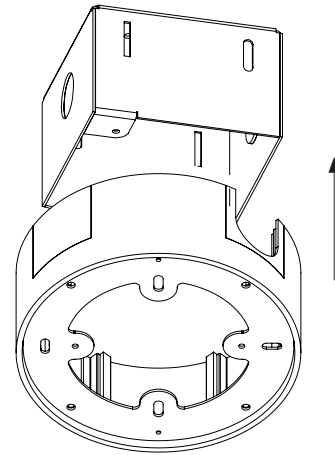
Set Up

- 1 Configure four sides of Junction Box Cover to desired wiring using Knockout Covers. Junction Box Cover comes pre-installed with two open and two closed Knockout Covers.

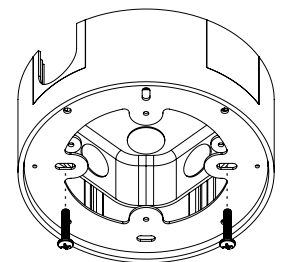
Slide off undesired Knockout Cover to remove. Slide on desired Knockout Cover to install. Discard undesired Knockout Covers.



- 2 Align Junction Box Cover onto junction box. Secure Cover to junction box with two (2) screws.



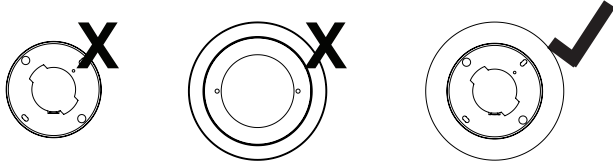
4S Square Junction Box



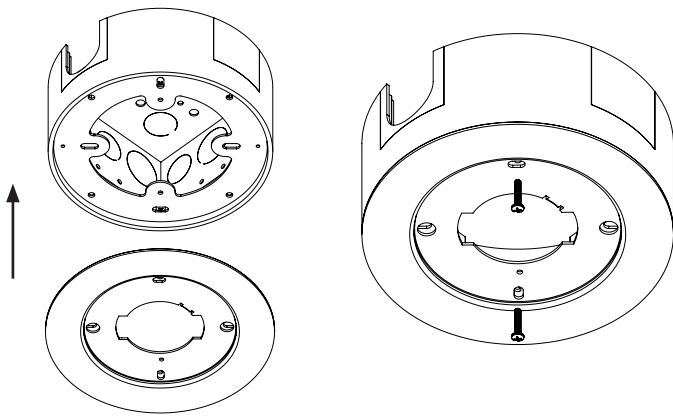
40 Octagonal Junction Box

Installation for Surface Mount Cylinder

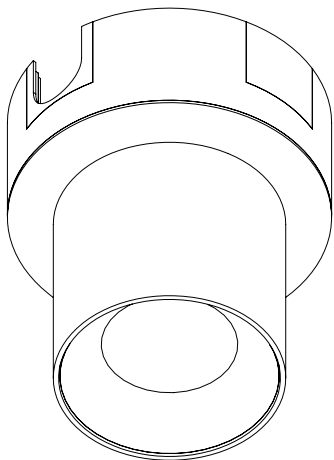
- 1 Discard Bracket included with Cylinder and Bracket Ring included with Junction Box Cover. Utilize Bracket included with Junction Box Cover.



- 2 Align Bracket to Junction Box Cover. Secure Bracket to Cover with two (2) screws.

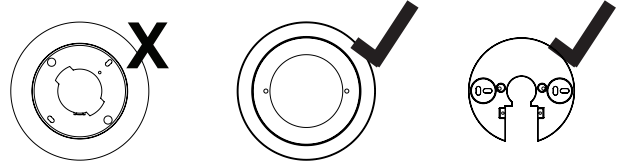


- 3 Complete Surface Mount Cylinder installation following instructions from *DCC Surface Mount LED Cylinder Installation Instructions*.

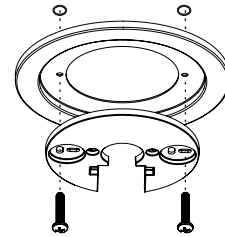


Installation for Cord / Stem Mount Cylinder

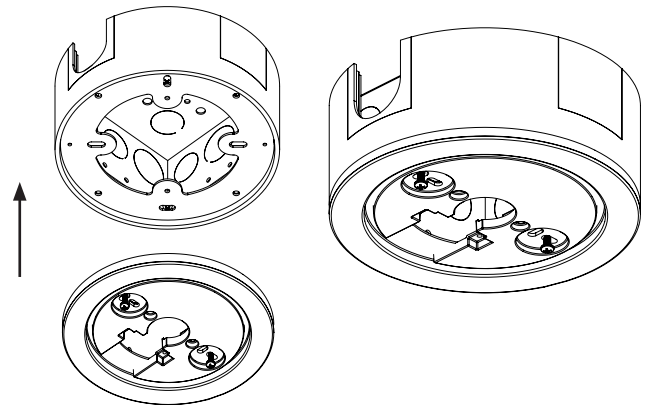
- 1 Discard Bracket included with Junction Box Cover. Utilize Bracket included with Cylinder and Bracket Ring included with Junction Box Cover.



- 2 Align two (2) screws with two (2) O-rings into Bracket and Bracket Ring.



- 3 Align Bracket and Bracket Ring to Junction Box Cover. Secure Bracket to Cover with two (2) screws.



- 4 Complete Cord / Stem Mount Cylinder installation following instructions from appropriate *DCC LED Cylinder Installation Instructions*.

