

DID4

Adjustable Integrator Recessed Downlight

Retrofit
4", 5", 6" Aperture

| | |
|---------------|-------|
| Project: | Type: |
| Product Code: | Date: |

Spec Sheet V - 05.01.21



ENGINEERED FOR CUSTOM INTEGRATORS

FULLY ADJUSTABLE 360° directional aiming for complete light coverage

PRECISE CONTROL Class leading 45° tilt with 15°, 25° or 40° field-changeable light distributions

DIM TO DARK Smooth, flicker-free dimming down to 1% with centralized or local control

FAST INSTALL Integrated driver, plug-and-play connection, and Twist & Lock Trims

MODULAR DESIGN Flexibility during and after installation with interchangeable modules, optics and trims

OPTICAL

Adjustment

360° directional aim, 45° tilt






Delivered Lumens (Power)

750 lm (9.5W), 1000 lm (12.5W)






Color Quality

93+ CRI, 2-step SDCM

Color Temperature

-  2700K  3000K  3500K
 4000K  Warm Dim (3000–1800K)

Beam Spread

-  Narrow Spot (15°)  Linear (60° x 30°)
 Spot (25°)  Soft Focus
 Flood (40°)

Specialty Lens

-  Hexcell Louver

PHYSICAL

Application

Retrofit

Aperture

4", 5", 6"

Ceiling Thickness

1/2" up to 1 3/4"

TRIMS

Available Trims

4": Beveled, Baffle; 5": Beveled, Baffle;
6": Beveled, Baffle

Trim Finish

White, Black, Silver, Custom

ELECTRICAL & CONTROLS

Input Voltage

120 / 277V

1% Dimming

TRIAC/ELV

RATINGS

Module Ratings

-  UL Listed for Damp Location



PRODUCT BUILDER

DID4 MODULE

| PRODUCT CODE | | LUMENS | | CRI | CCT | | BEAM SPREAD | | FINISH | | SPECIALTY LENS | | DIMMING | |
|----------------------|--------|----------------------|---------|----------------------|----------------------|-----------|-----------------------|-----------|--------------------------------|----------------|----------------------|----------------|----------------------|-------------------------------|
| <input type="text"/> | | <input type="text"/> | | <input type="text"/> | <input type="text"/> | | <input type="text"/> | | <input type="text"/> | | <input type="text"/> | | <input type="text"/> | |
| DID4M | Module | 07 | 750 lm | 9 | 93+ CRI | 27 | 2700K | NS | Narrow Spot (15°) ² | [Blank] | Black | [Blank] | None | T Integrated TRIAC/ELV |
| | | 10 | 1000 lm | | | 30 | 3000K | SP | Spot (25°) | W | White | H | Hexcell ³ | |
| | | | | | | 35 | 3500K | FL | Flood (40°) | | | | | |
| | | | | | | 40 | 4000K | LS | Linear (60° x 30°) | | | | | |
| | | | | | | 3W | Warm Dim ¹ | SF | Soft Focus | | | | | |

RETROFIT TRIM

| PRODUCT CODE | | SHAPE | | APERTURE | | STYLE | | FINISH | |
|----------------------|------|----------------------|-------|----------------------|-------------|----------------------|---------|----------------------|--------------------------------|
| <input type="text"/> | | <input type="text"/> | | <input type="text"/> | | <input type="text"/> | | <input type="text"/> | |
| DRD2T | Trim | R | Round | 4 | 4" Aperture | S | Beveled | WH | White |
| | | | | 5 | 5" Aperture | B | Baffle | BK | Black |
| | | | | 6 | 6" Aperture | | | SW | Silver Reflector, White Flange |
| | | | | | | | | CC | Custom Color |

ADAPTER (OPTIONAL)⁴

| PRODUCT CODE | |
|----------------------|---|
| <input type="text"/> | |
| DRD2X-QCM-ED | Edison Adapter |
| DRD2X-QCM-GU | GU-24 Adapter |
| DRD2X-QCM-M | PowerPlug Luminaire Disconnect Male Adapter |

¹ Only available in 1000 lm

² Not available in Warm Dim CCT

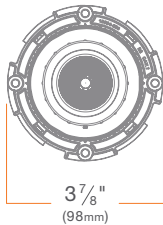
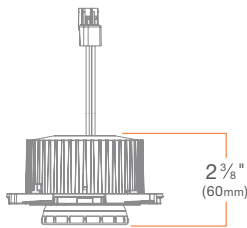
³ Not available in Soft Focus beam spread

⁴ Module features PowerPlug Luminaire Disconnect Female Connector and ships with PowerPlug Male Connector to Electrical Leads Adapter

OPTICS ACCESSORIES

| PRODUCT CODE | |
|----------------------|---|
| <input type="text"/> | |
| DID4X-NS | Narrow Spot (15°) |
| DID4X-SP | Spot (25°) |
| DID4X-FL | Flood (40°) |
| DID4X-LS | Linear Spread (60° x 30°) |
| DID4X-SF | Soft Focus |
| DID4X-OP | Optics Kit: Narrow Spot (15°), Spot (25°), Flood (40°), Linear Spread (60° x 30°), Soft Focus |
| DID4X-HL | Hexcell Louver |

MODULE



DID4

Adjustable Integrator Module

DID4M

SUMMARY

ADJUSTMENT: 360° directional aim, 45° tilt

LED CHIP: Cree

DELIVERED LUMENS (w Trim): 750 lm (9.7W), 1000 lm (12.0W)

EFFICACY: 82 lm/W

COLOR QUALITY: 93+ CRI, 2-step SDCM

CCT: 2700K, 3000K, 3500K, 4000K

BEAM SPREAD: Narrow Spot (15°), Spot (25°), Flood (40°), Linear Spread (60° x 30°), Soft Focus

SPECIALTY LENS: Hex Louver

CONNECTOR: PowerPlug® Luminaire Disconnect Model 182

INPUT VOLTAGE: 120/277V, 50/60Hz

DIMMING: Down to less than 1% for TRIAC/ELV at 120V

MAX INPUT CURRENT (120V): 0.090 amps, 0.107 amps

MAX INPUT CURRENT (277V): 0.042 amps, 0.050 amps

POWER FACTOR: Greater than 0.9

TOTAL HARMONIC DISTORTION: Less than 20%

AMBIENT OPERATING TEMPERATURE: -20°C to 40°C

PHOTOMETRIC TESTING: Tested in accordance to IESNA LM-79-2008

LISTINGS: ENERGY STAR® qualified*, California Title 24 2016 JA8 compliant, UL Listed for Damp Location, cULus Listed, Declare

LIFETIME: 50,000 hours at 70% lumen maintenance

WARRANTY: 10 year limited warranty

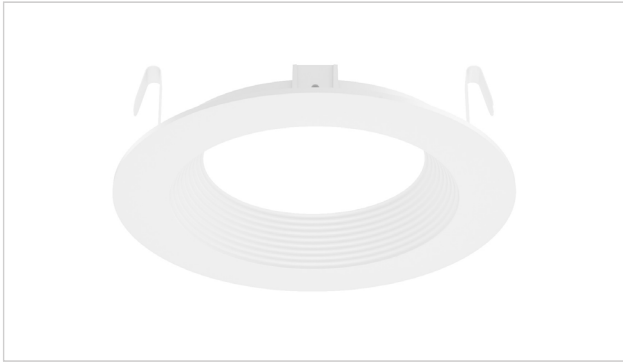
WARM DIM OPTION

LED: Bridgelux LED, **DELIVERED LUMENS (w Trim):** 1000 lm (12.0W),

EFFICACY: 83 lm/W, **CCT RANGE:** 3000K - 1800K, **MAX INPUT CURRENT (120V):** 0.11 amps, **MAX INPUT CURRENT (277V):** 0.047 amps

*Excludes Pinhole Trims

TRIM



Classic Trims

4", 5", 6" Aperture

DRD2T

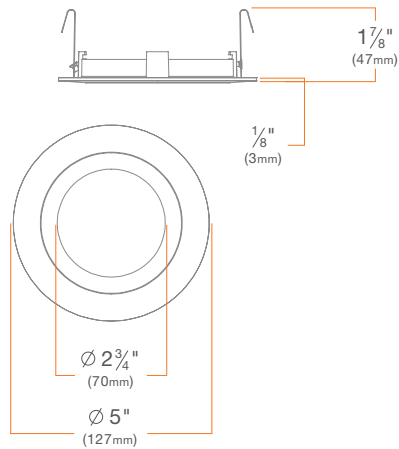
SUMMARY

CONSTRUCTION: Die-cast aluminum

INSTALLATION: Twist & Lock

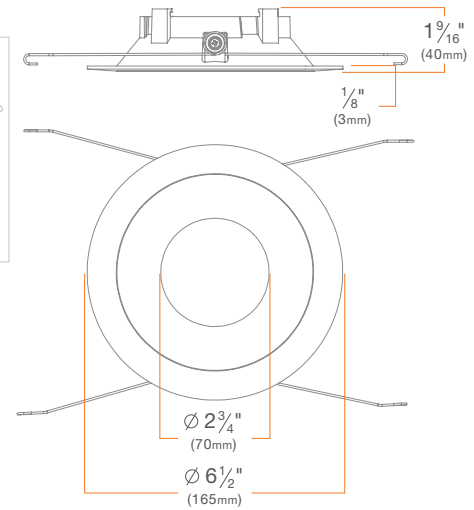
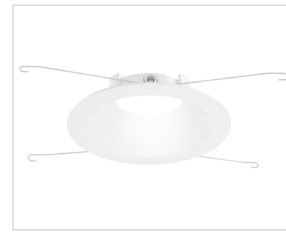
4" Round Trim

DRD2TR4SWH



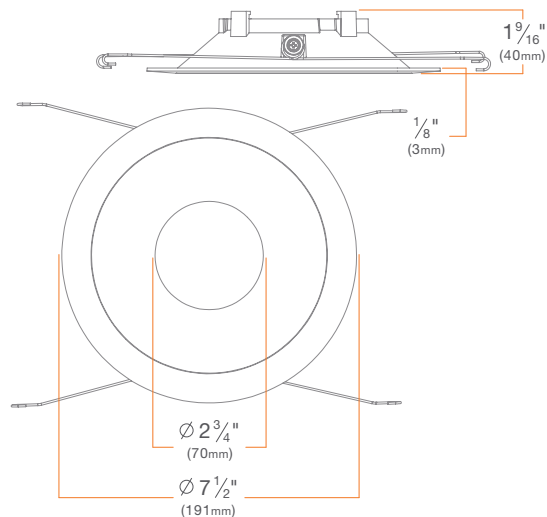
5" Round Trim

DRD2TR5SWH



6" Round Trim

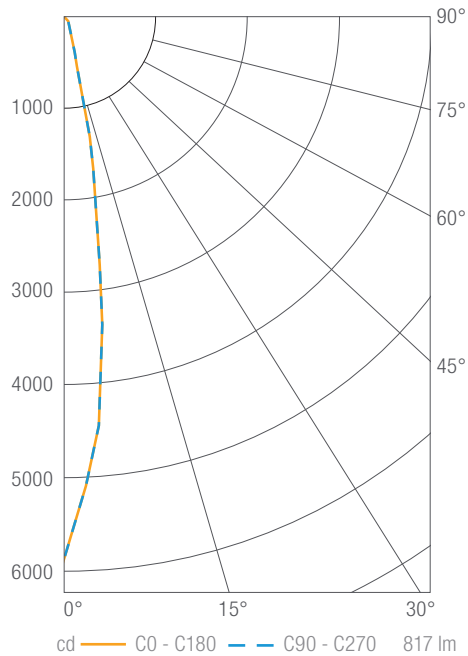
DRD2TR6SWH



PHOTOMETRY

DID4 750 lm, 3000K, Narrow Spot

DID4M07930NS



Luminous Intensity

| Gamma | C 0° |
|-------|------|
| 0° | 5897 |
| 5° | 4418 |
| 10° | 1911 |
| 15° | 561 |
| 20° | 280 |
| 25° | 165 |
| 30° | 117 |
| 35° | 87 |
| 40° | 69 |
| 45° | 57 |
| 50° | 47 |
| 55° | 38 |
| 60° | 31 |
| 65° | 23 |
| 70° | 16 |
| 75° | 10 |
| 80° | 4 |
| 85° | 1 |
| 90° | 0 |

Values in candela

Zonal Lumen Summary

| Zone | Lumens | Luminaire % |
|-------|--------|-------------|
| 0-30 | 645 | 79 |
| 0-40 | 701 | 86 |
| 0-60 | 781 | 96 |
| 0-90 | 817 | 100 |
| 0-180 | 817 | 100 |

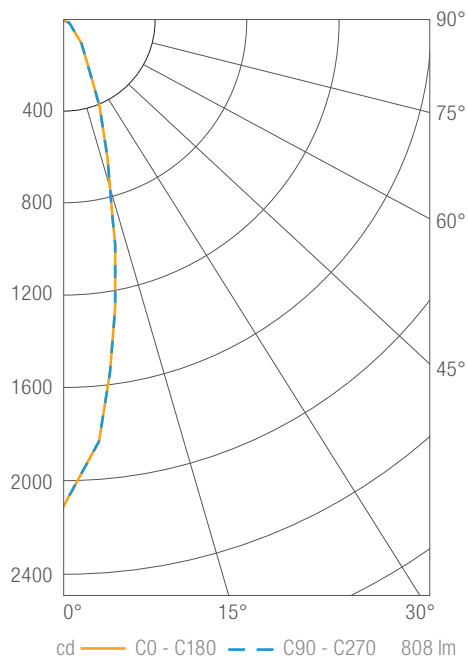
Illuminance Chart

| Distance from LED | Foot Candles | Diameter |
|-------------------|--------------|----------|
| 3' | 655 | 0.8' |
| 6' | 164 | 1.7' |
| 9' | 73 | 2.5' |
| 12' | 41 | 3.3' |

Beam Angle: 16°

DID4 750 lm, 3000K, Spot

DID4M07930SP



Luminous Intensity

| Gamma | C 0° |
|-------|------|
| 0° | 2105 |
| 5° | 1826 |
| 10° | 1282 |
| 15° | 800 |
| 20° | 497 |
| 25° | 310 |
| 30° | 201 |
| 35° | 137 |
| 40° | 98 |
| 45° | 73 |
| 50° | 57 |
| 55° | 45 |
| 60° | 35 |
| 65° | 23 |
| 70° | 12 |
| 75° | 5 |
| 80° | 3 |
| 85° | 2 |
| 90° | 0 |

Values in candela

Zonal Lumen Summary

| Zone | Lumens | Luminaire % |
|-------|--------|-------------|
| 0-30 | 573 | 71 |
| 0-40 | 668 | 83 |
| 0-60 | 773 | 96 |
| 0-90 | 808 | 100 |
| 0-180 | 808 | 100 |

Illuminance Chart

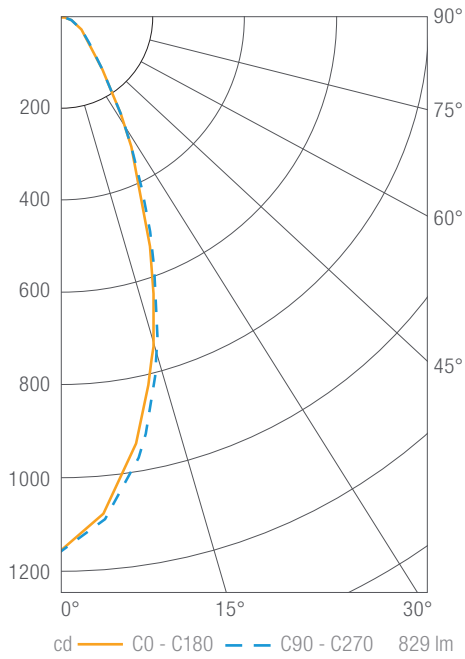
| Distance from LED | Foot Candles | Diameter |
|-------------------|--------------|----------|
| 3' | 234 | 1.3' |
| 6' | 58 | 2.6' |
| 9' | 26 | 3.9' |
| 12' | 15 | 5.2' |

Beam Angle: 28°

PHOTOMETRY

DID4 750 lm, 3000K, Flood

DID4M07930FL



Luminous Intensity

| Gamma | C 0° |
|-------|------|
| 0° | 1158 |
| 5° | 1081 |
| 10° | 941 |
| 15° | 765 |
| 20° | 576 |
| 25° | 414 |
| 30° | 288 |
| 35° | 192 |
| 40° | 130 |
| 45° | 96 |
| 50° | 76 |
| 55° | 61 |
| 60° | 49 |
| 65° | 38 |
| 70° | 28 |
| 75° | 18 |
| 80° | 10 |
| 85° | 4 |
| 90° | 0 |

Values in candela

Zonal Lumen Summary

| Zone | Lumens | Luminaire % |
|-------|--------|-------------|
| 0-30 | 510 | 62 |
| 0-40 | 633 | 76 |
| 0-60 | 766 | 92 |
| 0-90 | 829 | 100 |
| 0-180 | 829 | 100 |

Illuminance Chart

| Distance from LED | Foot Candles | Diameter |
|-------------------|--------------|----------|
| 3' | 129 | 2.2' |
| 6' | 32 | 4.5' |
| 9' | 14 | 6.7' |
| 12' | 8 | 9.0' |

Beam Angle: 41°