

DID Series

Integrator Recessed Downlight

4" Round, New Construction

Project:	Type:
Product Code:	Date:

V 060322

ENGINEERED FOR CUSTOM INTEGRATORS

HIGH PERFORMANCE Produces up to 1250 lumens of 93+ CRI lighting for natural, true-to-life colors without sacrificing stellar efficiency

PRECISE CONTROL Field-changeable light distribution ranging from 15° to 90°+

DIM TO DARK Smooth, flicker-free dimming down to 1% with centralized or local control

FAST INSTALL Integrated driver, plug-and-play connection, and Twist & Lock Trims

MODULAR DESIGN Flexibility during and after installation with interchangeable modules, optics and trims



OPTICAL

Module

Fixed, Adjustable

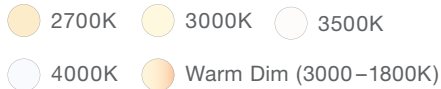
Delivered Lumens (Power)

750 lm (9.5W), 1000 lm (12.5W), 1250 lm (14.3W)

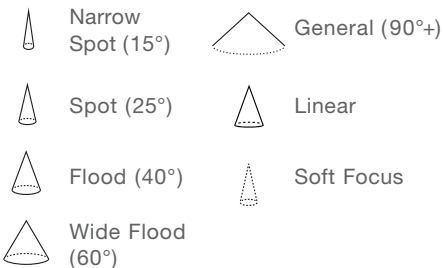
Color Quality

93+ CRI, 2-step SDCM

Color Temperature



Beam Spread



Specialty Lens



PHYSICAL

Aperture

4"

Application

New Construction

Shape

Round

Ceiling Thickness

1/2" up to 1 3/4"

TRIMS

Aperture

4"

Shape

Round, Square Conversion

Style

Beveled, Hyperbolic, Pinhole, Beveled Pinhole, Wall Wash, Decorative, Flangeless, Dead Front

Finish

White, Black, Bronze, Clear Diffused, Warm Diffused, Custom

ELECTRICAL & CONTROLS

Input Voltage

120 / 277V

1% Dimming

TRIAC/ELV

RATINGS

Housing

- IC (Insulation Contact) Rated
- ASTM E283 Certified Air Tight
- Code compliant for use in fire-rated assemblies up to a maximum of 2-hours
- STC/IIC Sound Rated
- Chicago Plenum
- UL Listed for Wet Location

Module and Trim





PRODUCT BUILDER

M-SERIES HOUSING

PRODUCT CODE		APPLICATION		SHAPE		RATING	
M4	4" Housing	NC	New Construction	R	Round	S	Standard
		CP	Chicago Plenum ¹			F	Fire Rated

DID MODULE

PRODUCT CODE		LUMENS		CRI		CCT		BEAM SPREAD		FINISH		DIMMING	
DID2M	Fixed	07	750 lm	9	93+ CRI	27	2700K	GA	General Ambient (90°+) ²	[Blank]	Black	T	TRIAC/ELV
DID4M	Adjustable	10	1000 lm			30	3000K	NS	Narrow Spot (15°) ⁴	W	White ⁵		
		12	1250 lm ²			35	3500K	SP	Spot (25°)				
						40	4000K	FL	Flood (40°)				
						3W	Warm Dim ³	WF	Wide Flood (60°) ²				
								LS	Linear Spread				
								SF	Soft Focus				

M-SERIES TRIM

PRODUCT CODE		SHAPE		STYLE		FINISH		OPTION	
M4T	4" Trim	R	Round	S	Beveled	WH	White	[Blank]	None
				H	Hyperbolic ⁶	BK	Black	DOF	Decorative: Open, Frosted ^{2,7,8}
				P	Pinhole ⁶	BZ	Bronze	DCF	Decorative: Closed, Frosted ^{2,7,8}
				B	Beveled Pinhole ⁶	CW	Clear Diffused, White Flanged	DCC	Decorative: Closed, Clear, Frosted Side ^{2,7,8}
				W	Wall Wash ²	WW	Warm Diffused, White Flanged	DCCF	Decorative: Closed, Clear, Frosted Inside ^{2,7,8}
				C	Square Conversion ^{2,7}	CC	Custom Color	FL	Flangeless ^{6,9,10}
								DF	Dead Front ^{2,7,8,11}

M4XRMUD	Flangeless Mud Plate <i>(Required for Flangeless Trim drywall installations)</i>
----------------	--

¹ Only available in Standard rating

² Only available in Fixed module

³ Only available in 1000 lm

⁴ Not available in Warm Dim CCT

⁵ Only available for Adjustable module

⁶ Only available in White, Black, Bronze or Custom Color finish

⁷ Only available in White or Custom Color finish

⁸ Only available in Beveled style

⁹ Requires M4XRMUD Flangeless Mud Plate for drywall installations

¹⁰ Not available for Square Conversion

¹¹ Only available for 750 lm

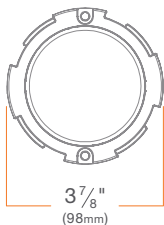
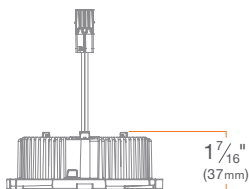


PRODUCT BUILDER

OPTICS ACCESSORIES

PRODUCT CODE	
<input type="text"/>	
DID2X-GA	Conversion Kit: DRD2 Module to General Ambient (90°+)
DID2X-NS	Narrow Spot (15°)
DID2X-SP	Spot (25°)
DID2X-FL	Flood (40°)
DID2X-WF	Wide Flood (60°)
DID2X-LS	Linear Spread (40° x 20°)
DID2X-SF	Soft Focus
DID2X-OP	Optics Kit: Narrow Spot (15°), Spot (25°), Flood (40°), Wide Flood (60°), Linear Spread (40° x 20°), Soft Focus
DID4X-NS	Narrow Spot (15°)
DID4X-SP	Spot (25°)
DID4X-FL	Flood (40°)
DID4X-LS	Linear Spread (60° x 30°)
DID4X-SF	Soft Focus
DID4X-OP	Optics Kit: Narrow Spot (15°), Spot (25°), Flood (40°), Linear Spread (60° x 30°), Soft Focus

MODULE



DID2

Fixed Downlight

DID2M

SUMMARY

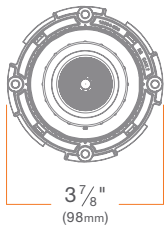
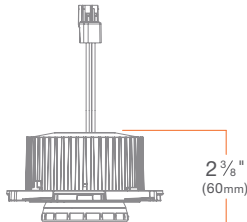
LED CHIP: Cree**DELIVERED MODULE LUMENS:** 750 lm (9.5W), 1000 lm (12.5W), 1250 lm (14.3W)**EFFICACY:** 79 lm/W, 80 lm/W, 87 lm/W**COLOR QUALITY:** 93+ CRI, 2-step SDCM**CCT:** 2700K, 3000K, 3500K, 4000K**BEAM SPREAD:** General Ambient (90°+), Narrow Spot (15°), Spot (25°), Flood (40°), Wide Flood (60°), Linear Spread (40° x 20°), Soft Focus**CONNECTOR:** PowerPlug® Luminaire Disconnect Model 182**INPUT VOLTAGE:** 120/277V, 50/60Hz**DIMMING:** Down to less than 1% for TRIAC/ELV at 120V**MAX INPUT CURRENT (120V):** 0.090 amps, 0.107 amps**MAX INPUT CURRENT (277V):** 0.042 amps, 0.050 amps**POWER FACTOR:** Greater than 0.9**TOTAL HARMONIC DISTORTION:** Less than 20%**AMBIENT OPERATING TEMPERATURE:** -20°C to 40°C**PHOTOMETRIC TESTING:** Tested in accordance to IESNA LM-79-2008**LISTINGS:** ENERGY STAR® qualified*, California Title 24 2019 JA8 compliant, UL Listed for Wet Location (flanged trims only), UL Certified, Declare**LIFETIME:** 50,000 hours at 70% lumen maintenance**WARRANTY:** 10 year limited warranty

WARM DIM OPTION

LED: Bridgelux LED, **DELIVERED MODULE LUMENS:** 1000 lm (12.0W),**EFFICACY:** 83 lm/W, **CCT RANGE:** 3000K - 1800K, **MAX INPUT****CURRENT (120V):** 0.11 amps, **MAX INPUT CURRENT (277V):** 0.047 amps

*Excludes Pinhole and Wall Wash Trims

MODULE



DID4

Adjustable Downlight

DID4M

SUMMARY

ADJUSTMENT: 360° directional aim, 45° tilt

SLOPE CEILING COMPATIBILITY: up to 45° tilt

LED CHIP: Cree

DELIVERED MODULE LUMENS: 750 lm (9.7W), 1000 lm (12.0W)

EFFICACY: 82 lm/W

COLOR QUALITY: 93+ CRI, 2-step SDCM

CCT: 2700K, 3000K, 3500K, 4000K

BEAM SPREAD: Narrow Spot (15°), Spot (25°), Flood (40°), Linear Spread (60° x 30°), Soft Focus

CONNECTOR: PowerPlug® Luminaire Disconnect Model 182

INPUT VOLTAGE: 120/277V, 50/60Hz

DIMMING: Down to less than 1% for TRIAC/ELV at 120V, 0-10V or Lutron EcoSystem at 120/277V

MAX INPUT CURRENT (120V): 0.090 amps, 0.107 amps

MAX INPUT CURRENT (277V): 0.042 amps, 0.050 amps

POWER FACTOR: Greater than 0.9

TOTAL HARMONIC DISTORTION: Less than 20%

AMBIENT OPERATING TEMPERATURE: -20°C to 40°C

PHOTOMETRIC TESTING: Tested in accordance to IESNA LM-79-2008

LISTINGS: ENERGY STAR® qualified*, California Title 24 2019 JA8 compliant, UL Listed for Damp Location, UL Certified, Declare

LIFETIME: 50,000 hours at 70% lumen maintenance

WARRANTY: 10 year limited warranty

WARM DIM OPTION

LED: Bridgelux LED, **DELIVERED MODULE LUMENS):** 1000 lm (12.0W),

EFFICACY: 83 lm/W, **CCT RANGE:** 3000K - 1800K, **MAX INPUT CURRENT (120V):** 0.11 amps, **MAX INPUT CURRENT (277V):** 0.047 amps

*Excludes Pinhole Trims

HOUSING



M-Series

M4NCRS (Standard)

M4NCRF (Fire Rated)

M4CPRS (Chicago Plenum)

SUMMARY

JUNCTION BOX: Equipped with 10 knockouts: two 1/2" and two 3/4" trade size knockouts on top, two 1/2" trade size knockouts on side, four romex knockouts on top. Approved for 8 (four in, four out) #12 AWG 70°C.

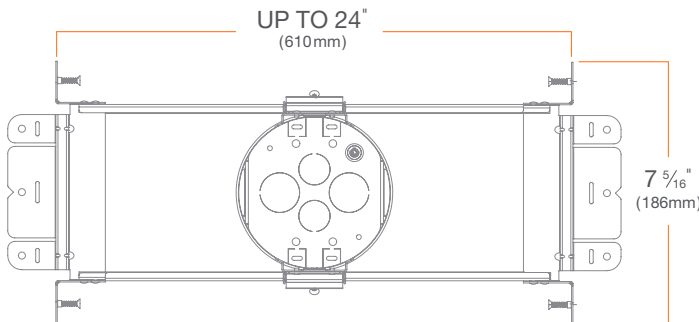
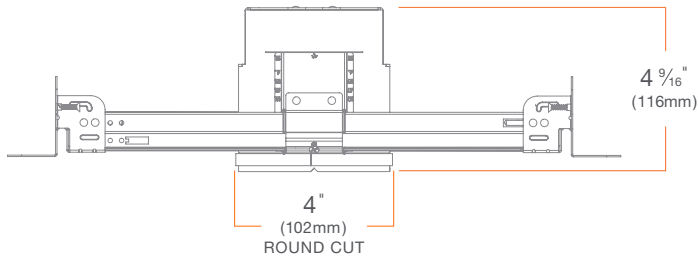
MOUNTING: Pre-installed mounting brackets allow vertical adjustment of bar hangers up to 1 1/4".

CEILING: 1/2" up to 1 3/4"

CUTOUT: 4" (102mm) round opening

LISTINGS: Metallic outlet box certified UL514A, code compliant for use in appropriate fire-rated assemblies for up to 2-hours (Fire Rated only), STC/IC Sound Rated, ASTM E283 certified Air Tight, IC (Insulation Contact) rated

WARRANTY: 1 year limited warranty



TRIMS



M-Series

M4TR

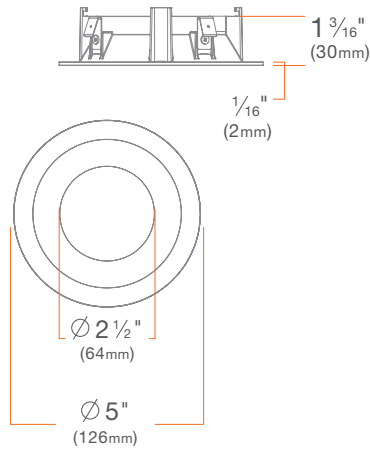
SUMMARY

CONSTRUCTION: Die-cast aluminum

INSTALLATION: Twist & Lock

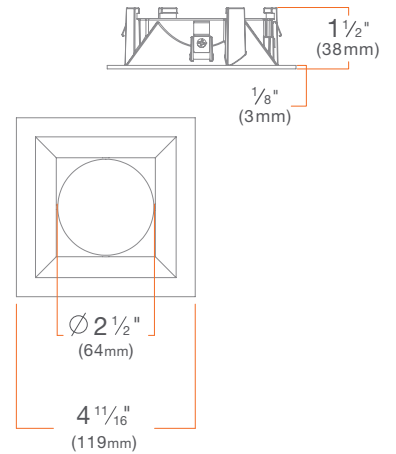
Beveled Trim

M4TRSWH



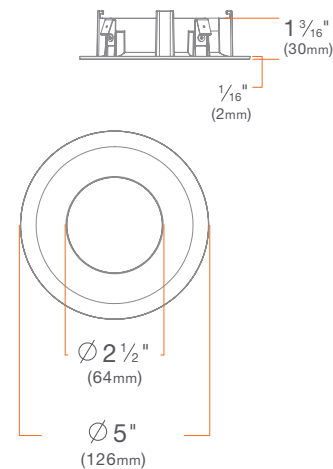
Square Conversion Trim

M4TRCWH



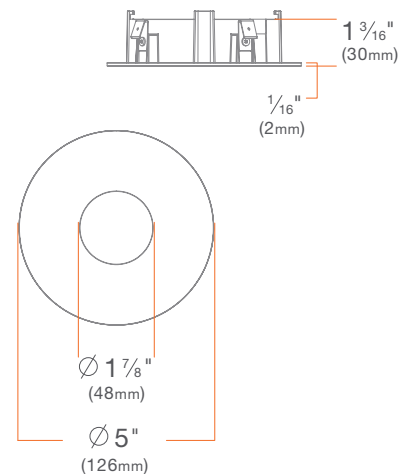
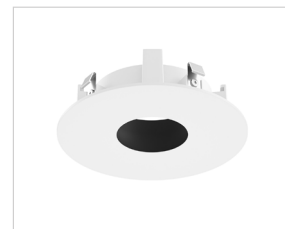
Hyperbolic Trim

M4TRHWH



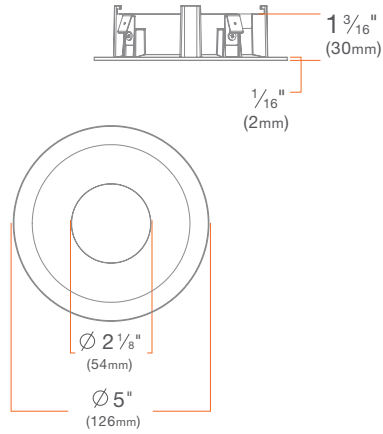
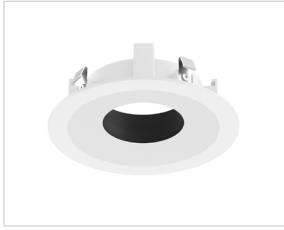
Pinhole Trim

M4TRPWH



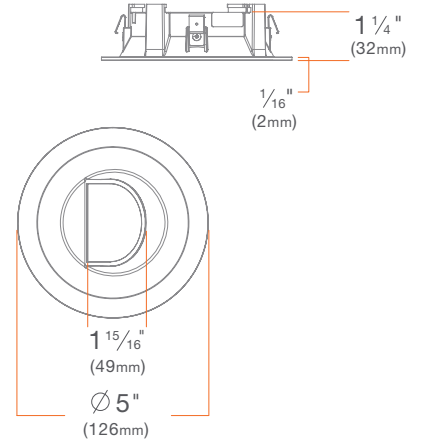
Beveled Pinhole Trim

M4TRBWH



Wall Wash Trim

Round: M4TRWWH

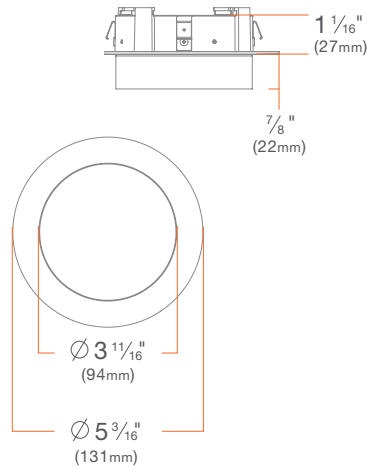


Decorative Closed Trim

Frosted: M4TRSWHDCF

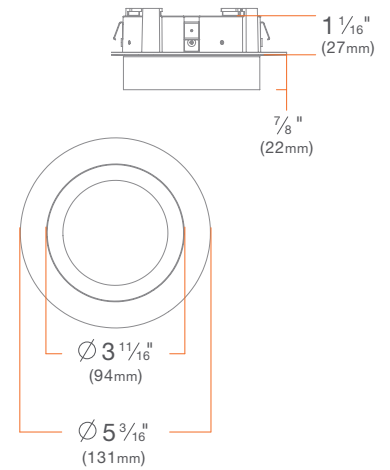
Clear, Frosted Inside: M4TRSWHDCC

Clear, Frosted Sides: M4TRSWHDCCF



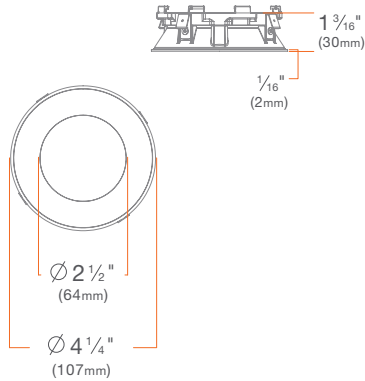
Decorative Open Trim

Frosted: M4TRSWHDOF



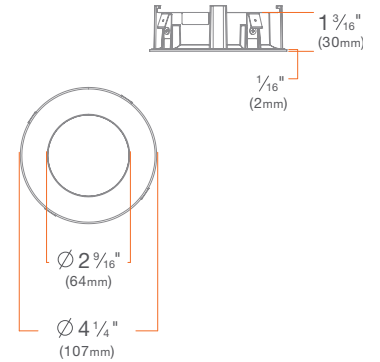
Beveled Flangeless Trim Insert

M4TRSWHFL



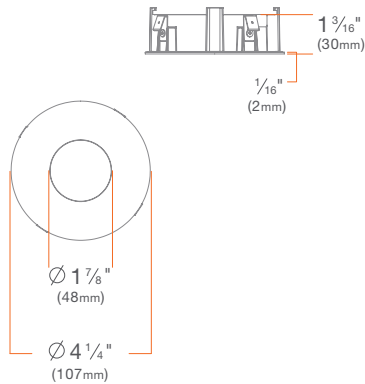
Hyperbolic Flangeless Trim Insert

M4TRHWHFL



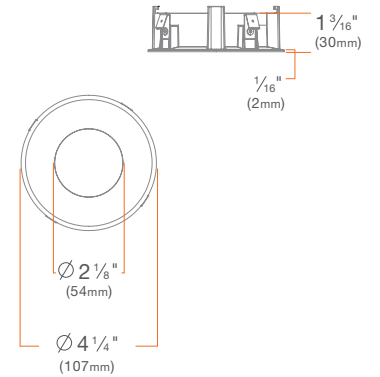
Pinhole Flangeless Trim Insert

M4TRPWHFL



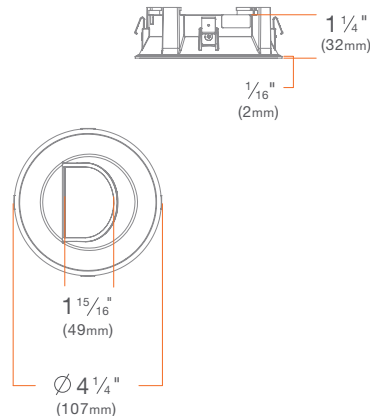
Beveled Pinhole Flangeless Trim Insert

M4TRBWHFL



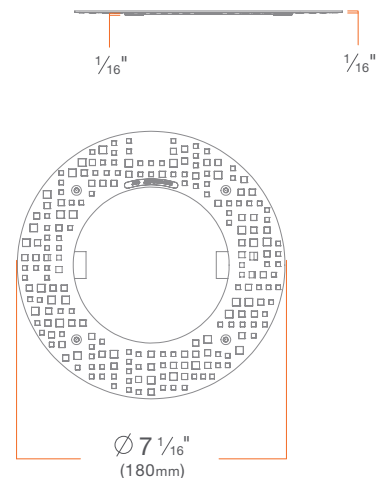
Wall Wash Flangeless Trim Insert

M4TRWWHFL



Flangeless Mud Plate

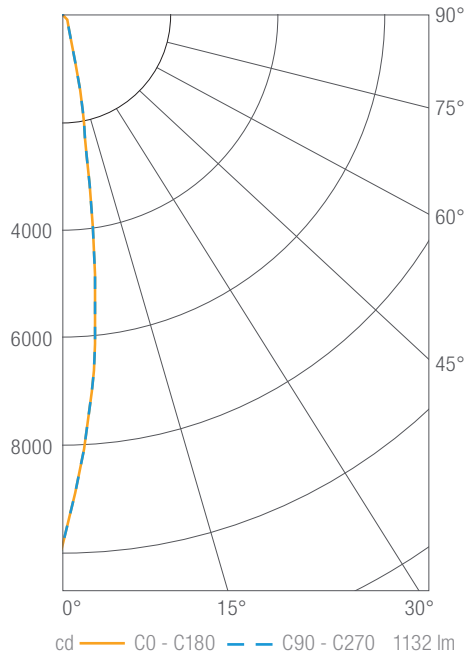
M4XRMUD



PHOTOMETRY

DID2 1000 lm, 3000K, Narrow Spot

DID2M10930NS



Luminous Intensity

Gamma	C 0°
0°	9823
5°	6600
10°	2335
15°	734
20°	357
25°	244
30°	195
35°	159
40°	116
45°	85
50°	61
55°	42
60°	28
65°	16
70°	7
75°	4
80°	2
85°	1
90°	0

Values in candela

Zonal Lumen Summary

Zone	Lumens	Luminaire %
0-30	906	80
0-40	1004	89
0-60	1110	98
0-90	1131	100
0-180	1132	100

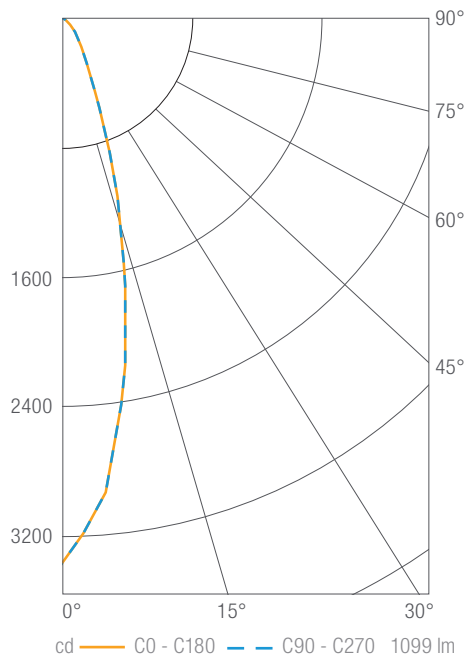
Illuminance Chart

Distance from LED	Foot Candles	Diameter
3'	1091	0.7'
6'	273	1.5'
9'	121	2.2'
12'	68	2.9'

Beam Angle: 14°

DID2 1000 lm, 3000K, Spot

DID2M10930SP



Luminous Intensity

Gamma	C 0°
0°	3366
5°	2967
10°	2203
15°	1391
20°	775
25°	419
30°	248
35°	167
40°	119
45°	87
50°	62
55°	43
60°	26
65°	15
70°	7
75°	4
80°	2
85°	1
90°	0

Values in candela

Zonal Lumen Summary

Zone	Lumens	Luminaire %
0-30	862	78
0-40	971	88
0-60	1078	98
0-90	1098	100
0-180	1099	100

Illuminance Chart

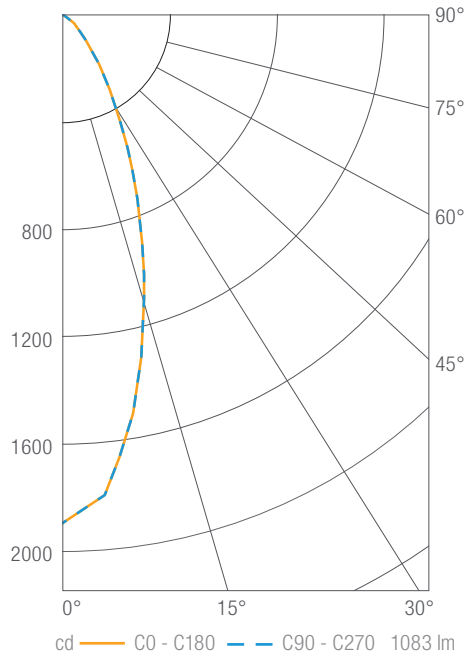
Distance from LED	Foot Candles	Diameter
3'	374	1.4'
6'	93	2.8'
9'	42	4.2'
12'	23	5.6'

Beam Angle: 26°

PHOTOMETRY

DID2 1000 lm, 3000K, Flood

DID2M10930FL



Luminous Intensity

Gamma	C 0°
0°	1890
5°	1792
10°	1503
15°	1161
20°	849
25°	589
30°	391
35°	256
40°	162
45°	107
50°	74
55°	51
60°	30
65°	18
70°	8
75°	5
80°	3
85°	1
90°	0

Values in candela

Zonal Lumen Summary

Zone	Lumens	Luminaire %
0-30	760	70
0-40	925	85
0-60	1058	98
0-90	1081	100
0-180	1083	100

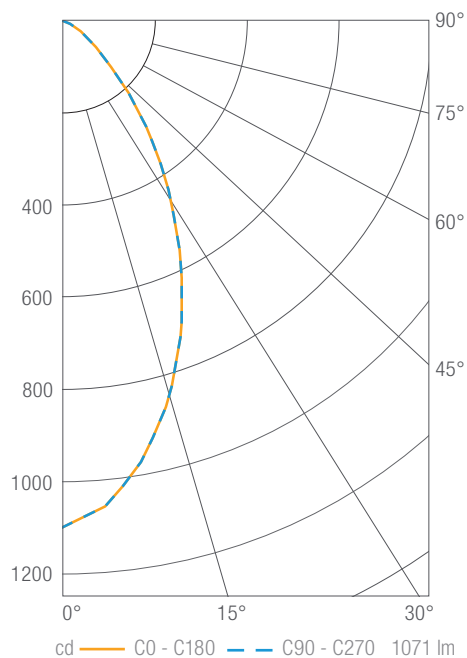
Illuminance Chart

Distance from LED	Foot Candles	Diameter
3'	210	2.0'
6'	52	4.0'
9'	23	6.0'
12'	13	8.0'

Beam Angle: 37°

DID2 1000 lm, 3000K, Wide Flood

DID2M10930WF



Luminous Intensity

Gamma	C 0°
0°	1100
5°	1058
10°	973
15°	866
20°	743
25°	609
30°	478
35°	361
40°	252
45°	161
50°	102
55°	68
60°	41
65°	24
70°	11
75°	6
80°	4
85°	2
90°	0

Values in candela

Zonal Lumen Summary

Zone	Lumens	Luminaire %
0-30	620	58
0-40	845	79
0-60	1037	97
0-90	1069	100
0-180	1071	100

Illuminance Chart

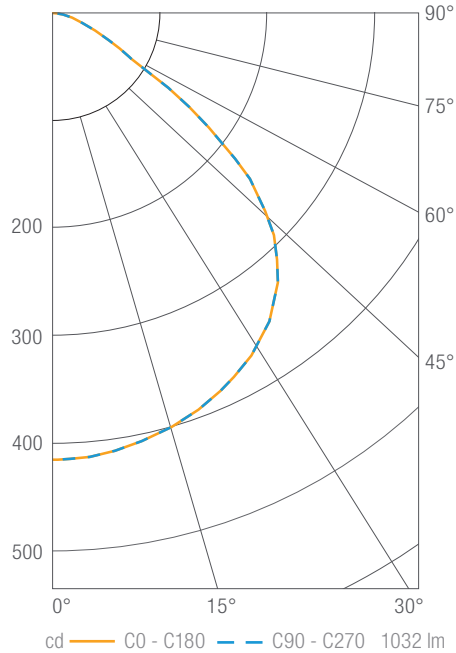
Distance from LED	Foot Candles	Diameter
3'	122	3.1'
6'	31	6.2'
9'	14	9.3'
12'	8	12.3'

Beam Angle: 55°

PHOTOMETRY

DID2 1000 lm, 3000K, General Ambient

DID2M10930GA



Luminous Intensity

Gamma	C 0°
0°	416
5°	415
10°	410
15°	403
20°	394
25°	382
30°	369
35°	351
40°	327
45°	291
50°	240
55°	162
60°	84
65°	54
70°	33
75°	21
80°	12
85°	6
90°	1

Values in candela

Zonal Lumen Summary

Zone	Lumens	Luminaire %
0-30	333	32
0-40	557	54
0-60	942	91
0-90	1024	99
0-180	1032	100

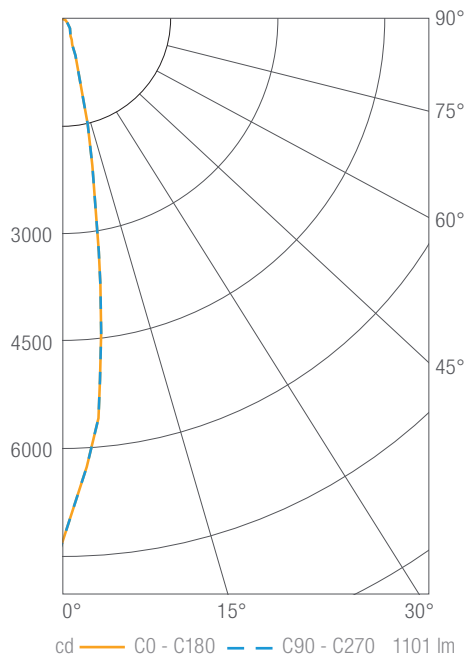
Illuminance Chart

Distance from LED	Foot Candles	Diameter
3'	46	7.8'
6'	12	15.5'
9'	5	23.3'
12'	3	31.1'

Beam Angle: 100°

DID2 1000 lm, 3000K, Soft Focus

DID2M10930SF



Luminous Intensity

Gamma	C 0°
0°	7280
5°	5603
10°	2489
15°	875
20°	381
25°	247
30°	194
35°	161
40°	122
45°	90
50°	64
55°	45
60°	28
65°	16
70°	7
75°	4
80°	2
85°	1
90°	0

Values in candela

Zonal Lumen Summary

Zone	Lumens	Luminaire %
0-30	868	79
0-40	968	88
0-60	1078	98
0-90	1100	100
0-180	1101	100

Illuminance Chart

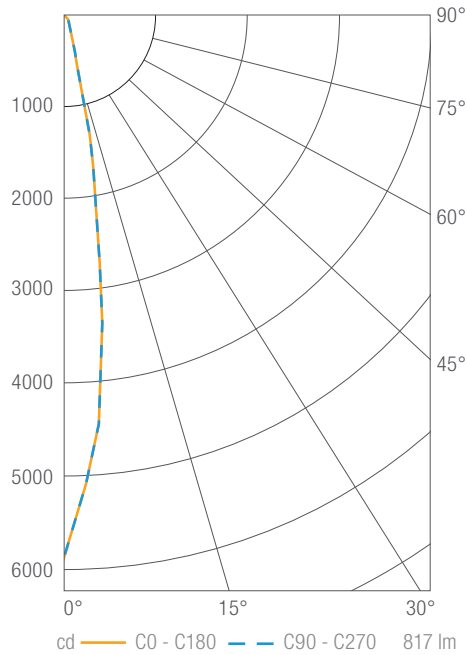
Distance from LED	Foot Candles	Diameter
3'	809	0.9'
6'	202	1.7'
9'	90	2.6'
12'	51	3.4'

Beam Angle: 16°

PHOTOMETRY

DID4 750 lm, 3000K, Narrow Spot

DID4M07930NS



Luminous Intensity

Gamma	C 0°
0°	5897
5°	4418
10°	1911
15°	561
20°	280
25°	165
30°	117
35°	87
40°	69
45°	57
50°	47
55°	38
60°	31
65°	23
70°	16
75°	10
80°	4
85°	1
90°	0

Values in candela

Zonal Lumen Summary

Zone	Lumens	Luminaire %
0-30	645	79
0-40	701	86
0-60	781	96
0-90	817	100
0-180	817	100

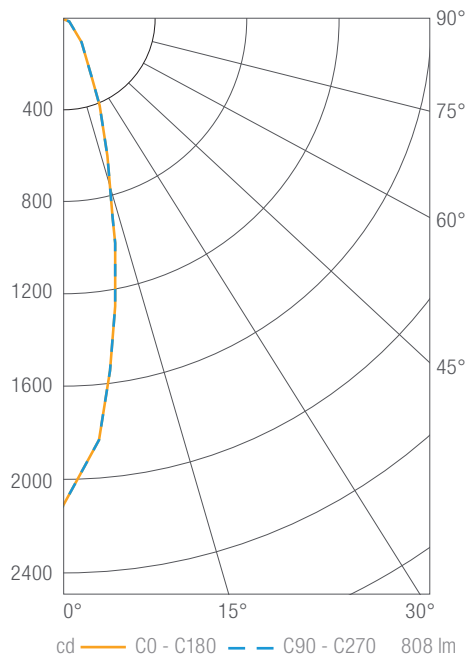
Illuminance Chart

Distance from LED	Foot Candles	Diameter
3'	655	0.8'
6'	164	1.7'
9'	73	2.5'
12'	41	3.3'

Beam Angle: 16°

DID4 750 lm, 3000K, Spot

DID4M07930SP



Luminous Intensity

Gamma	C 0°
0°	2105
5°	1826
10°	1282
15°	800
20°	497
25°	310
30°	201
35°	137
40°	98
45°	73
50°	57
55°	45
60°	35
65°	23
70°	12
75°	5
80°	3
85°	2
90°	0

Values in candela

Zonal Lumen Summary

Zone	Lumens	Luminaire %
0-30	573	71
0-40	668	83
0-60	773	96
0-90	808	100
0-180	808	100

Illuminance Chart

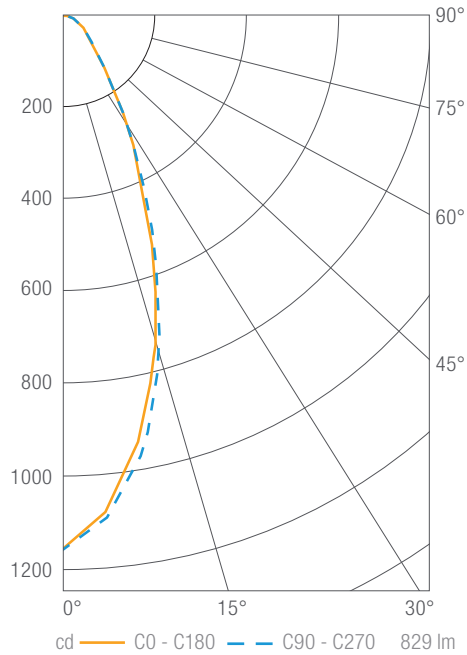
Distance from LED	Foot Candles	Diameter
3'	234	1.3'
6'	58	2.6'
9'	26	3.9'
12'	15	5.2'

Beam Angle: 28°

PHOTOMETRY

DID4 750 lm, 3000K, Flood

DID4M07930FL



Luminous Intensity

Gamma	C 0°
0°	1158
5°	1081
10°	941
15°	765
20°	576
25°	414
30°	288
35°	192
40°	130
45°	96
50°	76
55°	61
60°	49
65°	38
70°	28
75°	18
80°	10
85°	4
90°	0

Values in candela

Zonal Lumen Summary

Zone	Lumens	Luminaire %
0-30	510	62
0-40	633	76
0-60	766	92
0-90	829	100
0-180	829	100

Illuminance Chart

Distance from LED	Foot Candles	Diameter
3'	129	2.2'
6'	32	4.5'
9'	14	6.7'
12'	8	9.0'

Beam Angle: 41°