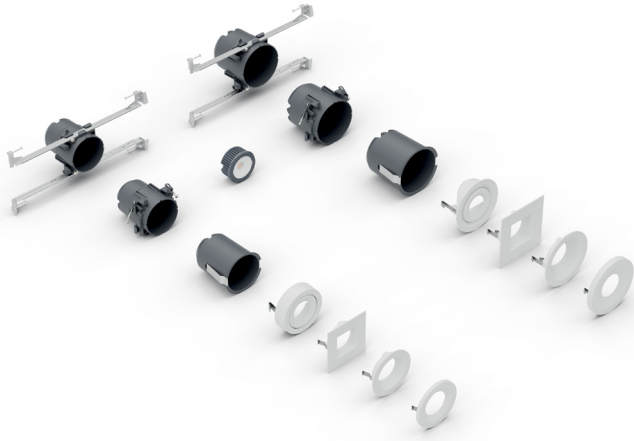


# H Series

## Residential Lighting

|               |       |
|---------------|-------|
| Project:      | Type: |
| Product Code: | Date: |

V042022



**A Whole Home Solution** Brilliant illumination and reliable performance for your entire home

**Brightness Switch** Easily select ambient, general, or higher-ceiling illumination with the flip of a switch

**True to Life Colors** Accurate color rendering means people and home finishes look great

**Natural Warm Dim** Comfortable white light for accurate illumination at full brightness that transitions to a relaxing sunset effect at lower dimming levels

### OPTICAL

#### Brightness Switch

Ambient Light: 350 lm (5W)  
7-9 ft Ceiling: 750 lm (9W)  
9-12 ft Ceiling: 950 lm (12W)

#### Color Quality

90+ CRI, 3-step SDCM

#### Max Color Temperature

3000K

### ELECTRICAL & CONTROLS

#### Input Voltage

120V

#### 5% Dimming

TRIAC/ELV

#### Dimming Color Temperature

3000K to 2200K

### PHYSICAL

#### Aperture Size

4", 3"

#### Installation Type

New Construction with Bar Hangers,  
New Construction with Screws,  
Remodel (coming soon), Retrofit<sup>1</sup>

<sup>1</sup> H Series modules and housings are compatible with other housing and light sources. Visit [dmflighting.com/compatibility/hseries](https://dmflighting.com/compatibility/hseries) for details.

#### Rating

- Type IC (Insulation Contact)
- Air Tight
- Suitable for Wet Locations

### TRIMS

#### Style

Flush, Round, Square,  
Adjustable (coming soon)

#### Finish

White



## PRODUCT BUILDER

### HOUSING

| PRODUCT CODE         |                      | APPLICATION          |  |
|----------------------|----------------------|----------------------|--|
| <input type="text"/> | <input type="text"/> | <input type="text"/> | <input type="text"/>                           |
| <b>H4</b>            | 4" Housing           | <b>BH</b>            | New Construction with Bar Hangers <sup>2</sup> |
| <b>H3</b>            | 3" Housing           | <b>SO</b>            | New Construction with Screws                   |
|                      |                      | <b>RM</b>            | Remodel (coming soon)                          |

<sup>2</sup> 8" - 24" adjustable bar hangers

### LIGHT MODULE

|             |  |
|-------------|--|
| <b>HM3C</b> | H Series Module with Natural Warm Dim<br>Brightness Switch: 950 lm, 750 lm, or 350 lm; 3000K - 2200K CCT |
|-------------|--|

### TRIM

| PRODUCT CODE         |                      | SHAPE                |                      | STYLE                |                          | FINISH               |                      |
|----------------------|----------------------|----------------------|----------------------|----------------------|--------------------------|----------------------|----------------------|
| <input type="text"/> | <input type="text"/> | <input type="text"/> | <input type="text"/> | <input type="text"/> | <input type="text"/>     | <input type="text"/> | <input type="text"/> |
| <b>H4T</b>           | 4" Trim              | <b>R</b>             | Round                | <b>S</b>             | Recessed                 | <b>WH</b>            | White                |
| <b>H3T</b>           | 3" Trim              | <b>S</b>             | Square <sup>3</sup>  | <b>F</b>             | Flush <sup>4</sup>       |                      |                      |
|                      |                      |                      |                      | <b>A</b>             | Adjustable (coming soon) |                      |                      |

<sup>3</sup> Only available in Recessed style

<sup>4</sup> Also compatible with 4" round / 4" octagonal deep junction box

### ACCESSORY

|                     |                |
|---------------------|----------------|
| <b>DRD2X-QCM-ED</b> | Edison Adapter |
|---------------------|----------------|

## DIMENSIONS

| HOUSING     | HEIGHT          | CUT OUT        | VOLUME                                   |
|-------------|-----------------|----------------|--|
| <b>H4BH</b> | 4 1/2" (114mm)  | 4 1/2" (115mm) | 52 in <sup>3</sup> (852cm <sup>3</sup> ) |
| <b>H4SO</b> | 4 1/2" (114mm)  | 4 1/2" (115mm) | 52 in <sup>3</sup> (852cm <sup>3</sup> ) |
| <b>H4RM</b> | 4 1/2" (114mm)  | 4 1/2" (115mm) | 52 in <sup>3</sup> (852cm <sup>3</sup> ) |
| <b>H3BH</b> | 4 7/16" (113mm) | 3 1/2" (89mm)  | 31 in <sup>3</sup> (508cm <sup>3</sup> ) |
| <b>H3SO</b> | 4 7/16" (113mm) | 3 1/2" (89mm)  | 31 in <sup>3</sup> (508cm <sup>3</sup> ) |
| <b>H3RM</b> | 4 7/16" (113mm) | 3 5/8" (92mm)  | 31 in <sup>3</sup> (508cm <sup>3</sup> ) |

| TRIM           | OUTER DIAMETER   | INNER DIAMETER  | BELOW CEILING |
|----------------|------------------|-----------------|---------------|
| <b>H4TRSWH</b> | 5" (127mm)       | 2" (52mm)       | --            |
| <b>H4TRFWH</b> | 5" (127mm)       | 2" (52mm)       | 1/2" (13mm)   |
| <b>H4TRAWH</b> | 4 15/16" (126mm) | 1 3/4" (45mm)   | --            |
| <b>H4TSSWH</b> | 5" (127mm)       | 2" (52mm)       | --            |
| <b>H3TRSWH</b> | 4" (101mm)       | 2" (52mm)       | --            |
| <b>H3TRFWH</b> | 4" (101mm)       | 2" (52mm)       | 5/16" (8mm)   |
| <b>H3TRAWH</b> | 4" (101mm)       | 1 11/16" (43mm) | 1 1/8" (29mm) |
| <b>H3TSSWH</b> | 4" (101mm)       | 2" (52mm)       | --            |

### HOUSING COMPATIBILITY

The H Series luminaire recessed housings (H4BH, H4SO, H4RM, H3BH, H3SO, H3RM) are UL Certified and intended for use with the H Series HM3C module or other certified 4" retrofit conversion kits (light source) that meet the following criteria:

|                 |                |
|-----------------|----------------|
| Maximum Height  | 3-3/8"         |
| Maximum Wattage | 13W            |
| Power Supply    | CLASS 2 OUTPUT |

