

# DRD2 & OneFrame

## Turtle Friendly Downlighting System

New Construction  
Deep Junction Box



Project:	Type:
Product Code:	Date:

TF

**Turtle Friendly** Compliant with FWC guidelines to minimize lighting's impact on sea turtles

**Quick Install** Integrated driver and plug-and-play connection require no wiring

**High Performance** Precise lighting control without sacrificing stellar efficiency

**Enhanced Dimming** Smooth, flicker-free dimming down to 1%

### OPTICAL

#### Module

Fixed

#### Delivered Lumens (Power)

400 lm (12W)

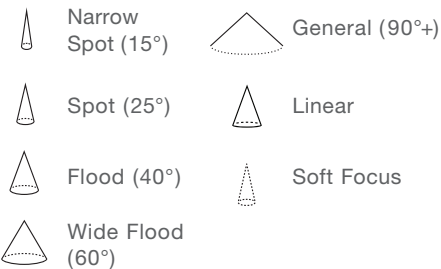
#### Wavelength

> 560 nm

#### Color Temperature

 Turtle Friendly

#### Beam Spread



### PHYSICAL

#### Application

New Construction, Poured Concrete

#### Aperture

4" Octagonal Deep Junction Box

#### Ceiling Thickness

1/2" up to 1 3/4"

### TRIMS

#### Available Trims

Round Beveled, Square, Hyperbolic, Pinhole, Beveled Pinhole, Wall Wash, Decorative, Flangeless, Dead Front

#### Trim Finish

White, Black, Silver, Custom

### ELECTRICAL & CONTROLS

#### Input Voltage





120/277V

#### 1% Dimming

TRIAC/ELV, 0-10V, Lutron EcoSystem

### RATINGS

#### Housing

-  Code compliant for use in fire-rated assemblies up to a maximum of 2-hours
-  STC/IIC Sound Rated
-  ASTM E283 Certified Air Tight
-  IC (Insulation Contact) Rated

#### Module

-  UL Listed for Wet Location



Declare.



## PRODUCT BUILDER

### ONEFRAME HOUSING

PRODUCT CODE		APPLICATION		APERTURE	
<input type="text"/>		<input type="text"/>		<input type="text"/>	
<b>DRDH</b>	Housing	<b>N</b>	New Construction	<b>JD</b>	Deep Junction Box
				<b>JC</b>	Deep Junction Box, Concrete Tight

### DRD MODULE

PRODUCT CODE		LUMENS		CRI		CCT		BEAM SPREAD		DIMMING	
<input type="text"/>		<input type="text"/>		<input type="text"/>		<input type="text"/>		<input type="text"/>		<input type="text"/>	
<b>DRD2M</b>	Fixed	<b>04</b>	400 lm	<b>S</b>	Specialty	<b>TF</b>	Turtle Friendly	<b>GA</b>	General Ambient (90°+)	<b>T</b>	TRIAC/ELV
								<b>NS</b>	Narrow Spot (15°)	<b>O</b>	0-10V
								<b>SP</b>	Spot (25°)		
								<b>FL</b>	Flood (40°)		
								<b>WF</b>	Wide Flood (60°)		
								<b>LS</b>	Linear Spread		
								<b>SF</b>	Soft Focus		

### ONEFRAME TRIM

PRODUCT CODE		SHAPE		APERTURE		STYLE		FINISH		OPTION	
<input type="text"/>		<input type="text"/>		<input type="text"/>		<input type="text"/>		<input type="text"/>		<input type="text"/>	
<b>DRD2T</b>	Trim	<b>R</b>	Round	<b>JD</b>	Deep Junction Box	<b>S</b>	Beveled	<b>WH</b>	White	<b>[Blank]</b>	None
		<b>S</b>	Square <sup>1</sup>			<b>H</b>	Hyperbolic <sup>2</sup>	<b>BK</b>	Black	<b>DOF</b>	Decorative: Open, Frosted <sup>2,3,4</sup>
						<b>P</b>	Pinhole <sup>2</sup>	<b>SW</b>	Silver Reflector, White Flange	<b>DCF</b>	Decorative: Closed, Frosted <sup>2,3,4</sup>
						<b>B</b>	Beveled Pinhole <sup>2</sup>	<b>CC</b>	Custom Color	<b>DCC</b>	Decorative: Closed, Clear, Frosted Side <sup>2,3,4</sup>
						<b>W</b>	Wall Wash <sup>2</sup>			<b>DCCF</b>	Decorative: Closed, Clear, Frosted Inside <sup>2,3,4</sup>
										<b>FL</b>	Flangeless <sup>2,3,5</sup>
										<b>DF</b>	Dead Front <sup>2,3,4</sup>

**DRDHX-MUD-FL** Flangeless Mud Plate *(Required for Flangeless Trim)*

<sup>1</sup> Only available in Beveled or Wall Wash style

<sup>2</sup> Only available in White or Custom Color finish

<sup>3</sup> Only available in Round shape

<sup>4</sup> Only available in Beveled style

<sup>5</sup> Requires DRDHX-MUD-FL Mud Plate

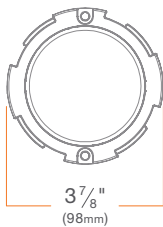
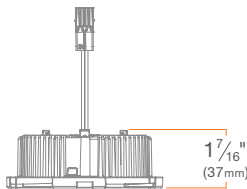
## PRODUCT BUILDER

---

### OPTICS ACCESSORIES

PRODUCT CODE	
<input type="text"/>	
<b>DRD2X-GA</b>	Conversion Kit: DRD2 Module to General Ambient (90°+)
<b>DRD2X-NS</b>	Narrow Spot (15°)
<b>DRD2X-SP</b>	Spot (25°)
<b>DRD2X-FL</b>	Flood (40°)
<b>DRD2X-WF</b>	Wide Flood (60°)
<b>DRD2X-LS</b>	Linear Spread (40° x 20°)
<b>DRD2X-SF</b>	Soft Focus
<b>DRD2X-OP</b>	Optics Kit: Narrow Spot (15°), Spot (25°), Flood (40°), Wide Flood (60°), Linear Spread (40° x 20°), Soft Focus

## MODULE



## DRD2

Fixed Downlight

**DRD2M**

### SUMMARY

**LED CHIP:** Cree® Red-Orange LED (no color filter)

**DELIVERED MODULE LUMENS:** 400 lm (12W)

**WAVELENGTH:** > 560 nm

**BEAM SPREAD:** General Ambient (90°+), Narrow Spot (15°), Spot (25°), Flood (40°), Wide Flood (60°), Linear Spread (40° x 20°), Soft Focus

**CONNECTOR:** PowerPlug® Luminaire Disconnect Model 182

**INPUT VOLTAGE:** 120/277V, 50/60Hz

**DIMMING:** Down to less than 1% for TRIAC/ELV at 120V, 0-10V or Lutron EcoSystem at 120/277V

**MAX INPUT CURRENT (120V):** 0.090 amps, 0.107 amps

**MAX INPUT CURRENT (277V):** 0.042 amps, 0.050 amps

**POWER FACTOR:** Greater than 0.9

**TOTAL HARMONIC DISTORTION:** Less than 20%

**AMBIENT OPERATING TEMPERATURE:** -20°C to 40°C

**PHOTOMETRIC TESTING:** Tested in accordance to IESNA LM-79-2008

**LISTINGS:** ENERGY STAR® qualified\*, California Title 24 2016 JA8 compliant, UL Listed for Wet Location (flanged trims only), cULus Listed, Declare

**LIFETIME:** 50,000 hours at 70% lumen maintenance

**WARRANTY:** 5 year limited warranty

## HOUSING



## OneFrame

New Construction  
Deep Junction Box  
**DRDHNJD**

### SUMMARY

**JUNCTION BOX:** Equipped with (8) trade size knockouts (four concentric side ( $\frac{3}{4}'' + \frac{1}{2}''$ ), two concentric top ( $\frac{3}{4}'' + \frac{1}{2}''$ ), two  $\frac{1}{2}''$  top) and (4) Romex knockouts (top) to allow straight conduit runs. Approved for 8 (four in, four out) #12 AWG 70°C.

**MOUNTING:** Pre-installed mounting brackets allow vertical adjustment of bar hangers up to 1".

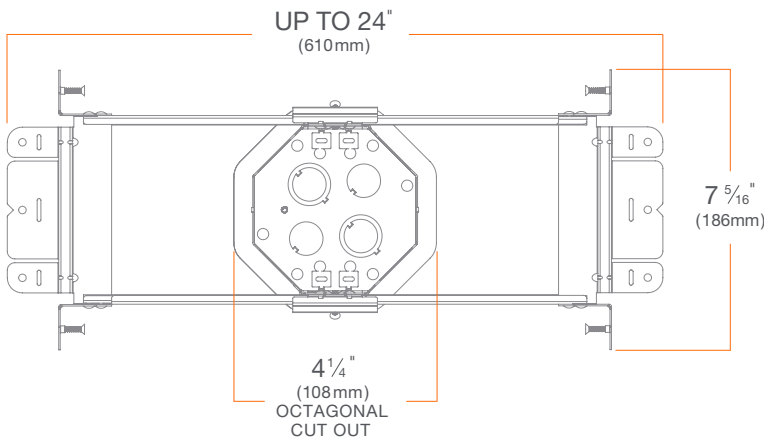
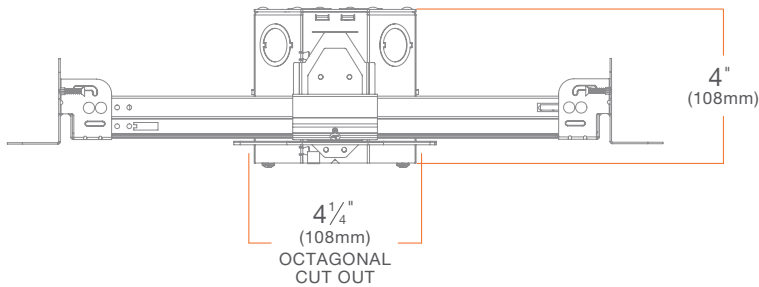
**CEILING:**  $\frac{1}{2}''$  up to  $1 \frac{3}{4}''$

**CUTOUT:**  $4 \frac{1}{4}''$  (108mm) octagonal opening

**LISTINGS:** Metallic outlet box certified UL514A, code compliant for use in appropriate fire-rated assemblies for up to 2-hours, STC/IIC Sound Rated, ASTM E283 certified Air Tight, IC (Insulation Contact) rated.

**MAINTENANCE:** Fully accessible from below the ceiling for inspection and maintenance.

**WARRANTY:** 5 year limited warranty



## HOUSING - Concrete Tight



## OneFrame

Concrete Tight  
Deep Junction Box  
**DRDHNJC**

- Designed for high rise structures that require steel and concrete for reinforcement
- Features spot-welded areas and adaptations for poured concrete applications

### SUMMARY

**JUNCTION BOX:** Equipped with (4) trade size concentric knockouts ( $\frac{3}{4}'' + \frac{1}{2}''$ ) to allow straight conduit runs. Approved for 8 (four in, four out) #12 AWG 90°C.

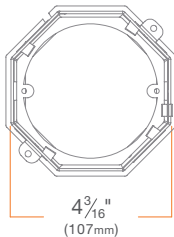
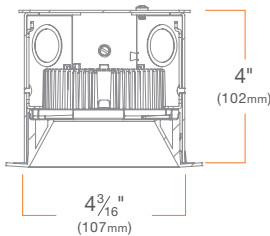
**MOUNTING:** (2) external tabs for wood, steel or concrete form mounting

**COVER:** Removable top cover for easy access to electrical wiring work prior to concrete pour

**APPLICATION:** Poured deck (floor) high-rise new construction

**LISTINGS:** Metallic outlet box certified UL514A, concrete tight, code compliant for use in appropriate fire-rated assemblies for up to 2-hours, STC/IIC Sound Rated, ASTM E283 certified Air Tight

**WARRANTY:** 5 year limited warranty



## HOUSING - Emergency Lighting or Lutron EcoSystem Dimming



### OneFrame

Lutron EcoSystem Dimming

Deep Junction Box

**DRDHNJD**

- Offers compatible dimming with Lutron EcoSystem Hi-Lume® 1% protocol

#### SUMMARY

**JUNCTION BOX:** Equipped with (2) trade size concentric top knockouts ( $\frac{3}{4}$ " +  $\frac{1}{2}$ " ) to allow straight conduit runs. Approved for 2 (one in, one out) #12 AWG 70°C.

**MOUNTING:** Pre-installed mounting brackets allow vertical adjustment of bar hangers up to 1".

**CEILING:**  $\frac{1}{2}$ " up to  $1\frac{3}{4}$ "

**CUTOUT:**  $4\frac{1}{4}$ " (108mm) octagonal opening

**LISTINGS:** Metallic outlet box certified UL514A, code compliant for use in appropriate fire-rated assemblies for up to 2-hours, STC/IIC Sound Rated, ASTM E283 certified Air Tight, IC (Insulation Contact) rated

**INPUT VOLTAGE:** 120/277V, 50/60Hz

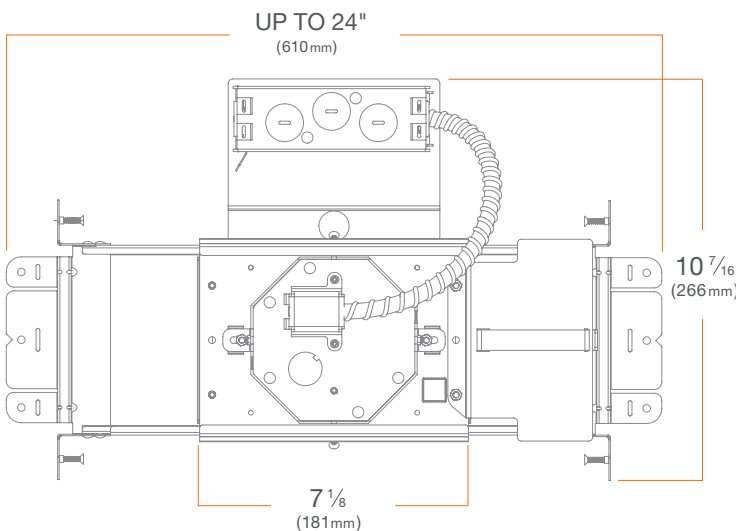
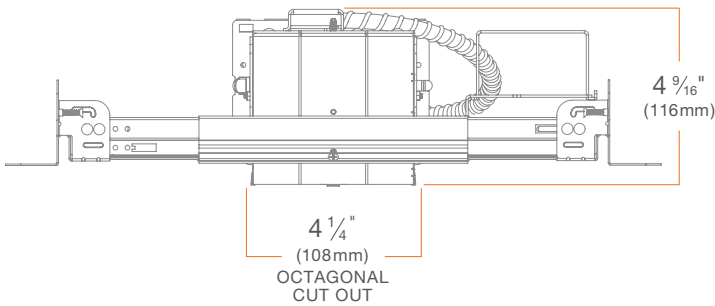
**MAX INPUT CURRENT (120V):** 0.090 amps (750 lm), 0.107 amps (1000 lm), 0.11 amps (1000 lm Warm Dim)

**MAX INPUT CURRENT (277V):** 0.042 amps (750 lm), 0.050 amps (1000 lm), 0.047 amps (1000 lm Warm Dim)

**POWER FACTOR:** Greater than 0.9

**TOTAL HARMONIC DISTORTION:** Less than 20%

**WARRANTY:** 5 year limited warranty



TRIM



# OneFrame Trims

Recessed LED Downlight Trims

**DRD2T**

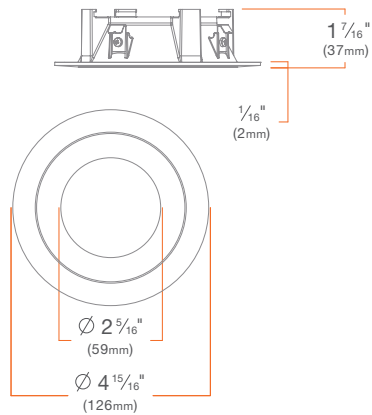
SUMMARY

**CONSTRUCTION:** Die-cast aluminum

**INSTALLATION:** Twist & Lock (flanged trims only)

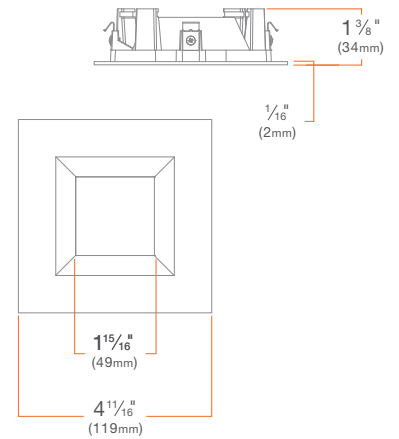
## Beveled Trim

**DRD2TRJDSWH**



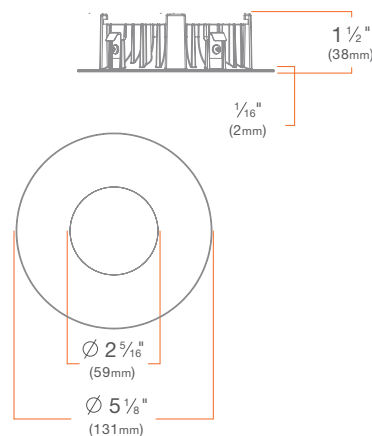
## Square Trim

**DRD2TSJDSWH**



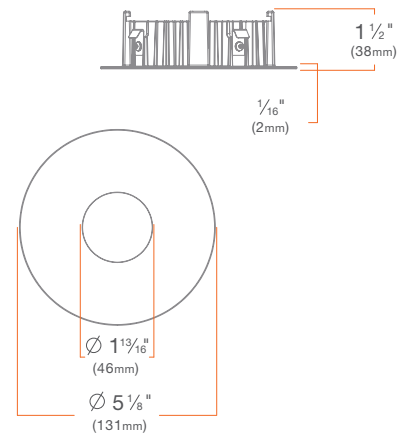
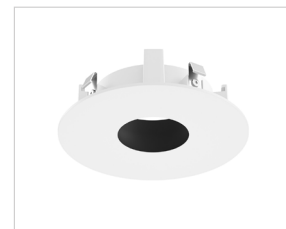
## Hyperbolic Trim

**DRD2TRJDHWH**



## Pinhole Trim

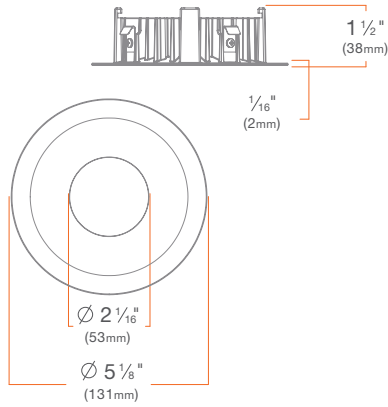
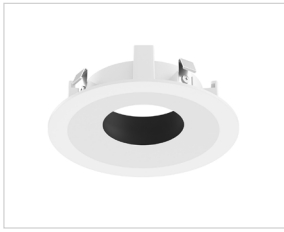
**DRD2TRJDPWH**





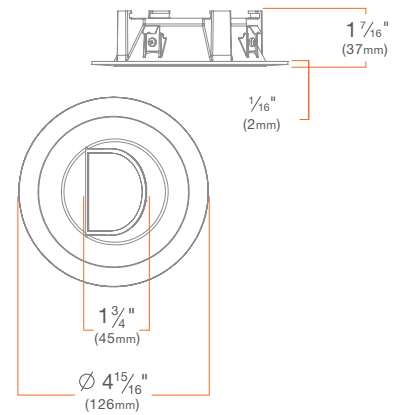
**Beveled Pinhole Trim**

Round: **DRD2TRJDBWH**



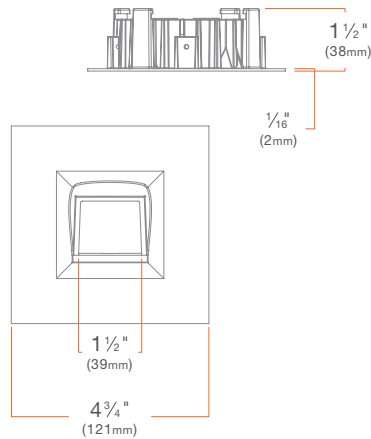
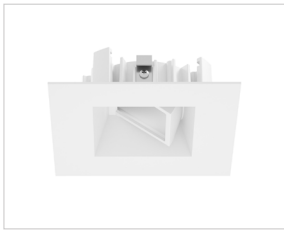
**Round Wall Wash Trim**

Round: **DRD2TRJDWWH**



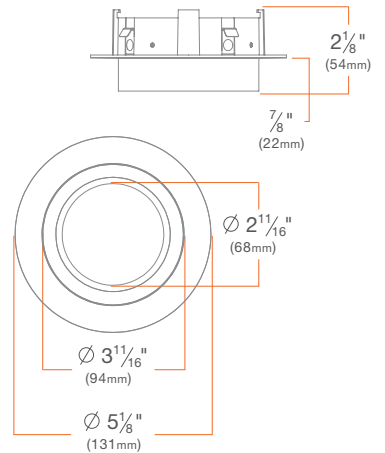
**Square Wall Wash Trim**

Square: **DRD2TSJDWWH**



**Decorative Open Trim**

Frosted: **DRD2TRJDSWHD OF**

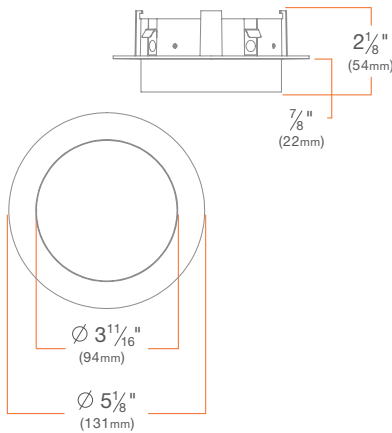


**Decorative Closed Trim**

Frosted: **DRD2TRJDSWHD CF**

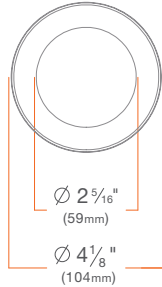
Clear, Frosted Inside: **DRD2TRJDSWHD CC**

Clear, Frosted Sides: **DRD2TRJDSWHD CC F**



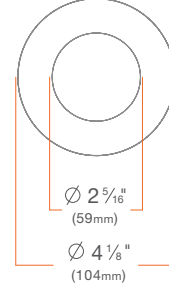
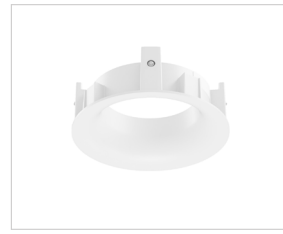
## Round Flangeless Trim Insert

DRD2TRJDSWHFL



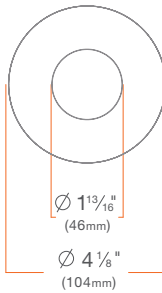
## Hyperbolic Flangeless Trim Insert

DRD2TRJDHWHFL



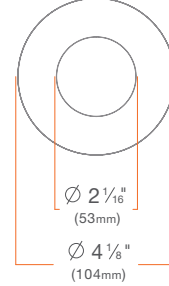
## Pinhole Flangeless Trim Insert

DRD2TRJDPWHFL



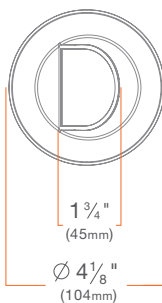
## Beveled Pinhole Flangeless Trim Insert

DRD2TRJDBWHFL



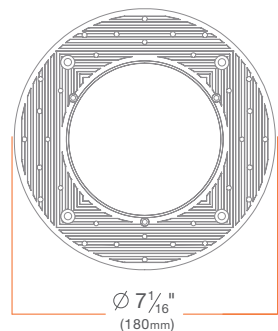
## Round Wall Wash Flangeless Trim Insert

DRD2TRJDWWHFL



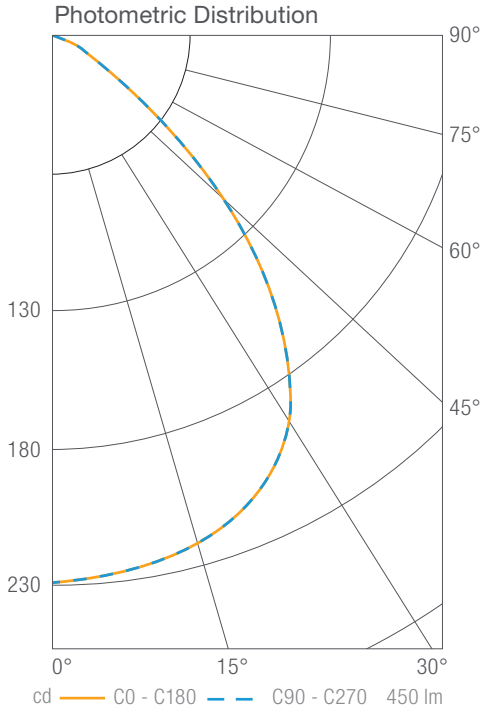
## Flangeless Mud Plate

DRDHX-MUD-FL



## PHOTOMETRY

### DRD2M04STFGAx

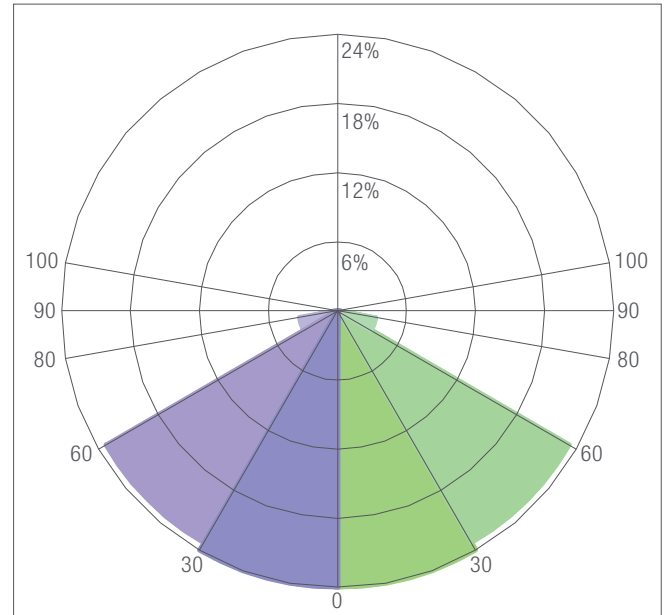


Luminous Intensity

Gamma	C 0°
0°	292
5°	290
10°	285
15°	275
20°	258
25°	232
30°	198
35°	155
40°	113
45°	82
50°	63
55°	46
60°	31
65°	19
70°	13
75°	9
80°	5
85°	2
90°	0

Values in candela

BUG Classification



Percent Luminaire Lumens

Front Low: 23.6%, Medium: 22.8%, High: 3.3%, Very High: 0.3%

Back Low: 23.6%, Medium: 22.8%, High: 3.3%, Very High: 0.3%

Uplight Low: 0.0%, High: 0.0%

Spectrum

