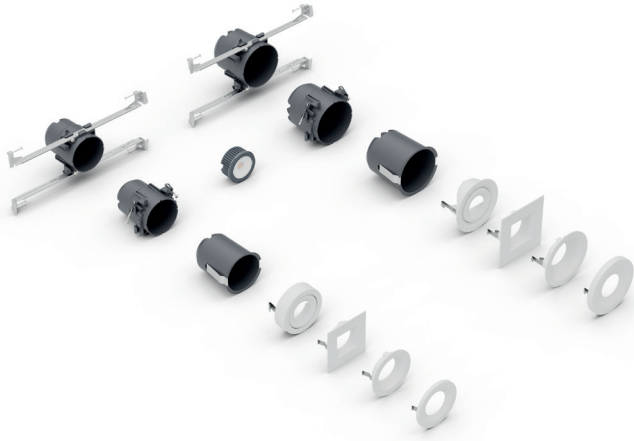


H Series

Residential Lighting

Project:	Type:
Product Code:	Date:

V101822



A Whole Home Solution Brilliant illumination and reliable performance for your entire home

Brightness Switch Easily select ambient, general, or higher-ceiling illumination with the flip of a switch

True to Life Colors Accurate color rendering means people and home finishes look great

Natural Warm Dim Comfortable white light for accurate illumination at full brightness that transitions to a relaxing sunset effect at lower dimming levels

OPTICAL

Brightness Switch

Ambient Light: 350 lm (5W)
7-9 ft Ceiling: 750 lm (9W)
9-12 ft Ceiling: 950 lm (12W)

Color Quality

90+ CRI, 3-step SDCM

Max Color Temperature

3000K

ELECTRICAL & CONTROLS

Input Voltage

120V

5% Dimming

TRIAC/ELV

Dimming Color Temperature

3000K to 2200K

PHYSICAL

Aperture Size

4", 3"

Installation Type

New Construction with Bar Hangers,
New Construction with Screws,
Remodel, Retrofit ¹

¹ H Series modules and housings are compatible with other housing and light sources. Visit dmflighting.com/compatibility/hseries for details.

Rating

- Type IC (Insulation Contact)
- Air Tight
- Suitable for Wet Locations

TRIMS

Style

Flush, Round, Square, Adjustable

Finish

White



PRODUCT BUILDER

HOUSING

PRODUCT CODE		APPLICATION	
<input type="text"/>	<input type="text"/>	<input type="text"/>	<input type="text"/>
H4	4" Housing	BH	New Construction with Bar Hangers ²
H3	3" Housing	SO	New Construction with Screws
		RM	Remodel

² 8" - 24" adjustable bar hangers



LIGHT MODULE

HM3C	H Series Module with Natural Warm Dim <i>Brightness Switch: 950 lm, 750 lm, or 350 lm; 3000K - 2200K CCT</i>
-------------	---

TRIM

PRODUCT CODE		SHAPE		STYLE		FINISH	
<input type="text"/>	<input type="text"/>	<input type="text"/>	<input type="text"/>	<input type="text"/>	<input type="text"/>	<input type="text"/>	<input type="text"/>
H4T	4" Trim	R	Round	S	Recessed	WH	White
H3T	3" Trim	S	Square ³	F	Flush ⁴		
				A	Adjustable ⁵		

³ Only available in Recessed style

⁴ Also compatible with 4" round / 4" octagonal deep junction box

⁵ 4" max tilt: 40°; 3" max tilt: 30°, not compatible with 3" Remodel housing

ACCESSORY

DRD2X-QCM-ED	Edison Adapter
---------------------	----------------

DIMENSIONS

HOUSING	HEIGHT	CUT OUT	VOLUME
H4BH	4 1/2" (114mm)	4 1/2" (115mm)	52 in ³ (852cm ³)
H4SO	4 1/2" (114mm)	4 1/2" (115mm)	52 in ³ (852cm ³)
H4RM	4 1/2" (114mm)	4 1/2" (115mm)	52 in ³ (852cm ³)
H3BH	4 7/16" (113mm)	3 1/2" (89mm)	31 in ³ (508cm ³)
H3SO	4 7/16" (113mm)	3 1/2" (89mm)	31 in ³ (508cm ³)
H3RM	4 7/16" (113mm)	3 5/8" (92mm)	31 in ³ (508cm ³)

TRIM	OUTER DIAMETER	INNER DIAMETER	BELOW CEILING
H4TRSWH	5" (127mm)	2" (52mm)	--
H4TRFWH	5" (127mm)	2" (52mm)	1/2" (13mm)
H4TRAWH	4 15/16" (126mm)	1 3/4" (45mm)	--
H4TSSWH	5" (127mm)	2" (52mm)	--
H3TRSWH	4" (101mm)	2" (52mm)	--
H3TRFWH	4" (101mm)	2" (52mm)	5/16" (8mm)
H3TRAWH	4" (101mm)	1 11/16" (43mm)	1 1/8" (29mm)
H3TSSWH	4" (101mm)	2" (52mm)	--

HOUSING COMPATIBILITY

The H Series luminaire recessed housings (H4BH, H4SO, H4RM, H3BH, H3SO, H3RM) are UL Certified and intended for use with the H Series HM3C module or other certified 4" retrofit conversion kits (light source) that meet the following criteria:

Maximum Height	3-3/8"
Maximum Wattage	13W
Power Supply	CLASS 2 OUTPUT